

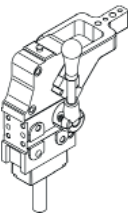
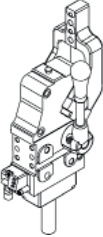
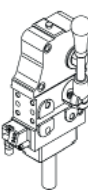
# UFL-UHL

UNIVERSAL Manual Power clamps

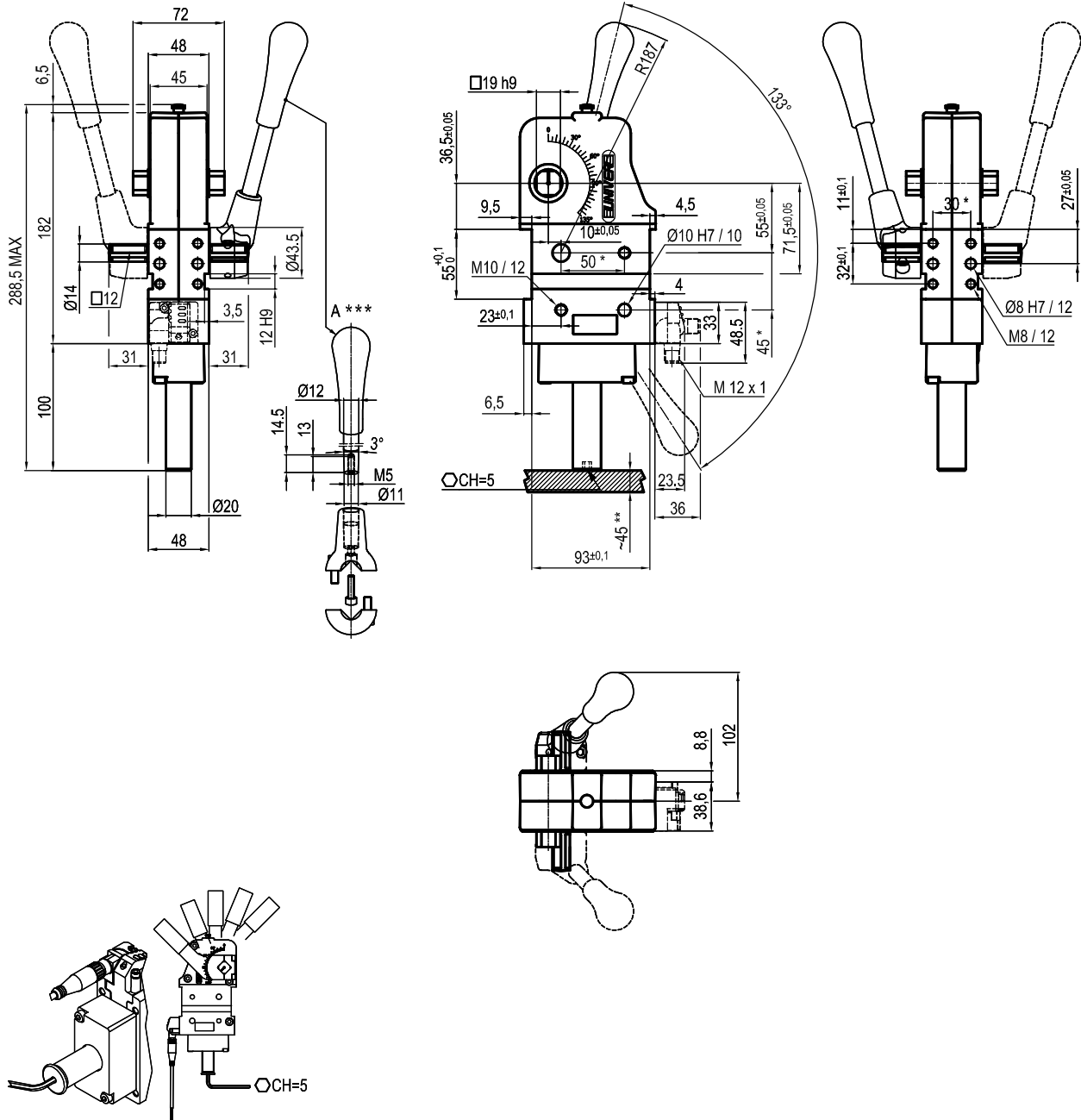


U	F	L	4	5	0	V	C	E
1	2	3	4	5	6	7		

1 Series	2 Version	3 Fixing	4 Size
<b>UF/UH</b> = UNIVERSAL Manual Power clamps fully adjustable opening angle: <b>0° to 135° max</b> The opening angle range may vary according to the arm position and style	<b>L</b> = Manual	<b>4</b> = On 4 sides	<b>50</b> = UF Version <b>63</b> = UH Version

5 Arm position	6 Arm style	7 Sensor
<b>V</b> = 90° 	<b>C</b> = Central, 15 mm offset <b>D</b> = Right, 15 mm offset <b>S</b> = Left, 15 mm offset <b>E</b> = Central, 45 mm offset <b>F</b> = Right, 45 mm offset <b>L</b> = Left, 45 mm offset <b>N</b> = No arm <b>X</b> = Central, oversized dowel holes Ø 8 H7, 15 mm offset <b>Y</b> = Right, oversized dowel holes Ø 8 H7, 15 mm offset <b>Z</b> = Left, oversized dowel holes Ø 8 H7, 15 mm offset	<b>N</b> = No sensor (with protection plate) <b>E</b> = Electronic sensor with M12 swivel connector
<b>O</b> = 180° 		
<b>N</b> = No arm 		

## UNIVERSAL Manual clamp



Holding moment	Clamping moment (0.5 MPa)	Weight (Clamping arm not included)
1750Nm	420 Nm	2.5 Kg

Min./Max. operating pressure: **0,4 / 0,6 MPa**

Operating temperature: **5° + 45° C**

Opening angle: **adjustable**

Without arm

With manual lever

Electronic sensor with M12 swivel connector that can be orientated at 0° or 90°

Supply voltage: 10+30 Vdc

IP code: **IP 65**

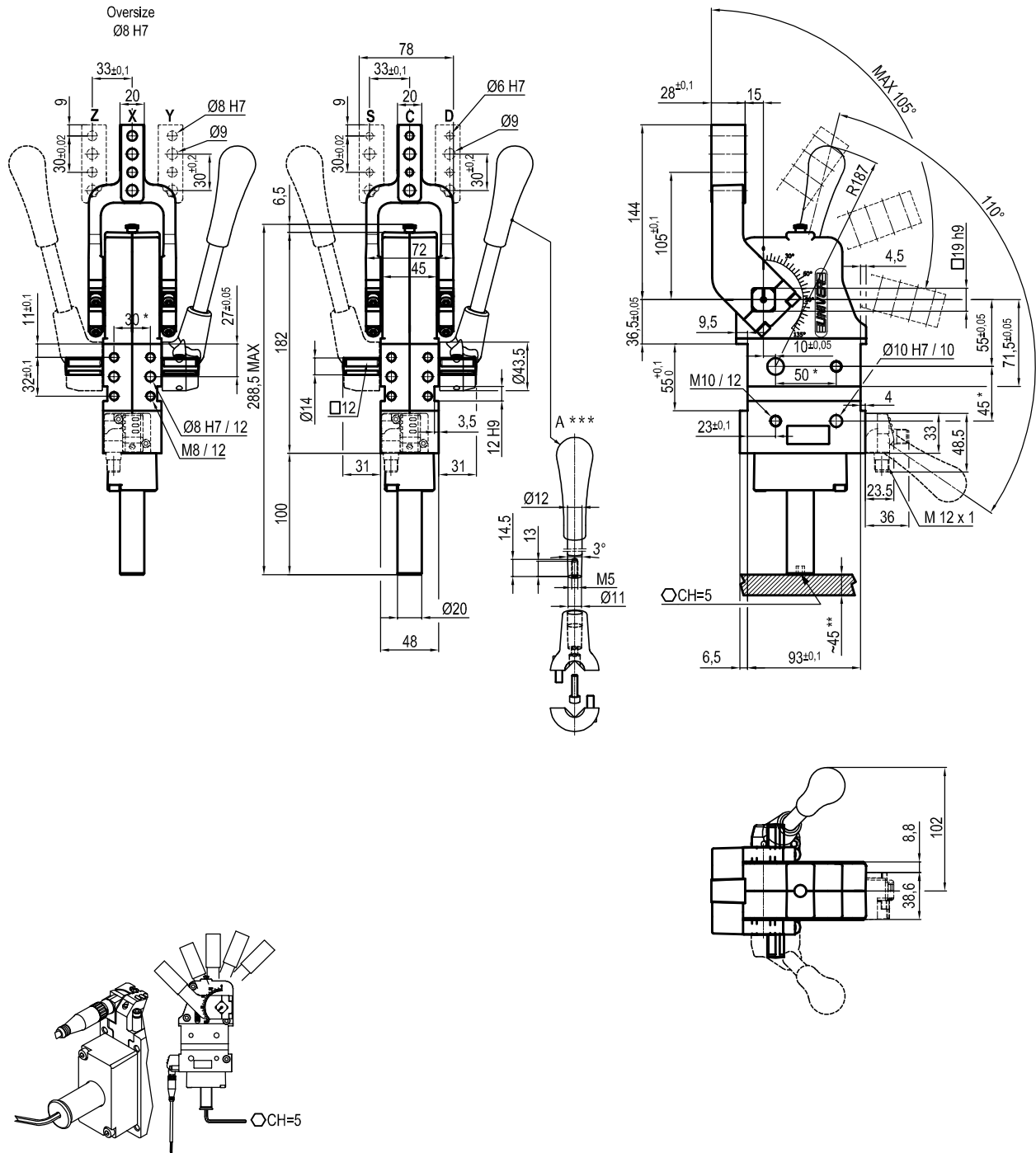
\* : TOLERANCE BETWEEN DOWEL HOLES ± 0.02, TO SCREW HOLES ± 0.1

\*\* : AREA TO ACCESS ANGLE ADJUSTMENT

\*\*\* : DIMENSIONS TO BE RESPECTED IN CASE OTHER MANUAL LEVERS ARE USED

Subject to technical modifications without notice

## UNIVERSAL Manual clamp



Holding moment	Clamping moment (0.5 MPa)	Weight (Clamping arm not included)
1750Nm	420 Nm	2.5 Kg

Min./Max. operating pressure: **0,4 / 0,6 MPa**

Operating temperature: **5° + 45° C**

Opening angle: **adjustable from 0° to 105°**

Horizontal arm mount position

With manual lever

Electronic sensor with M12 swivel connector that can be orientated at 0° or 90°

Supply voltage: 10÷30 Vdc

IP code: **IP 65**

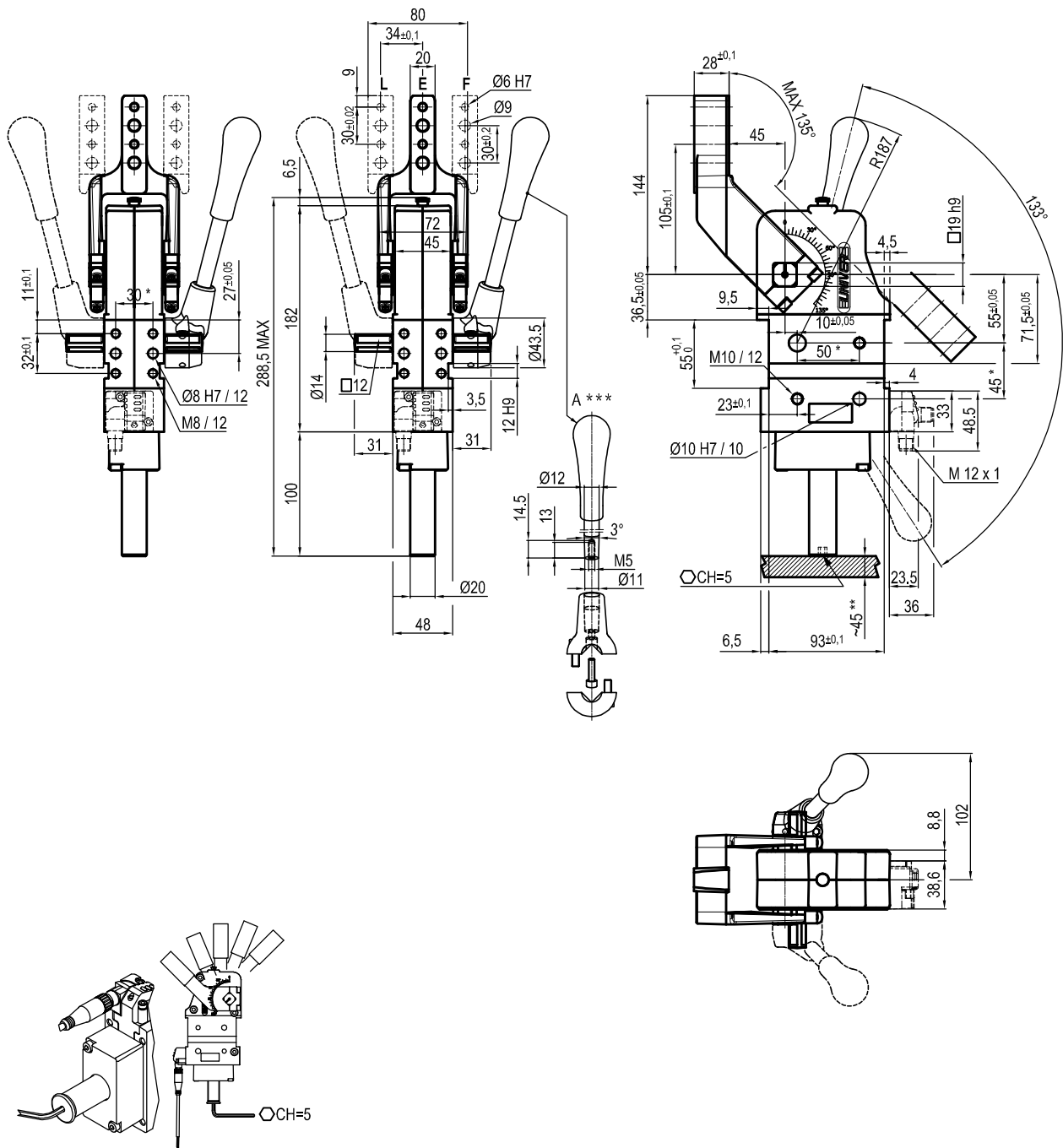
\* : TOLERANCE BETWEEN DOWEL HOLES ± 0.02, TO SCREW HOLES ± 0.1

\*\* : AREA TO ACCESS ANGLE ADJUSTMENT

\*\*\* : DIMENSIONS TO BE RESPECTED IN CASE OTHER MANUAL LEVERS ARE USED

Subject to technical modifications without notice

## UNIVERSAL Manual clamp arm at 45 mm from pivot point



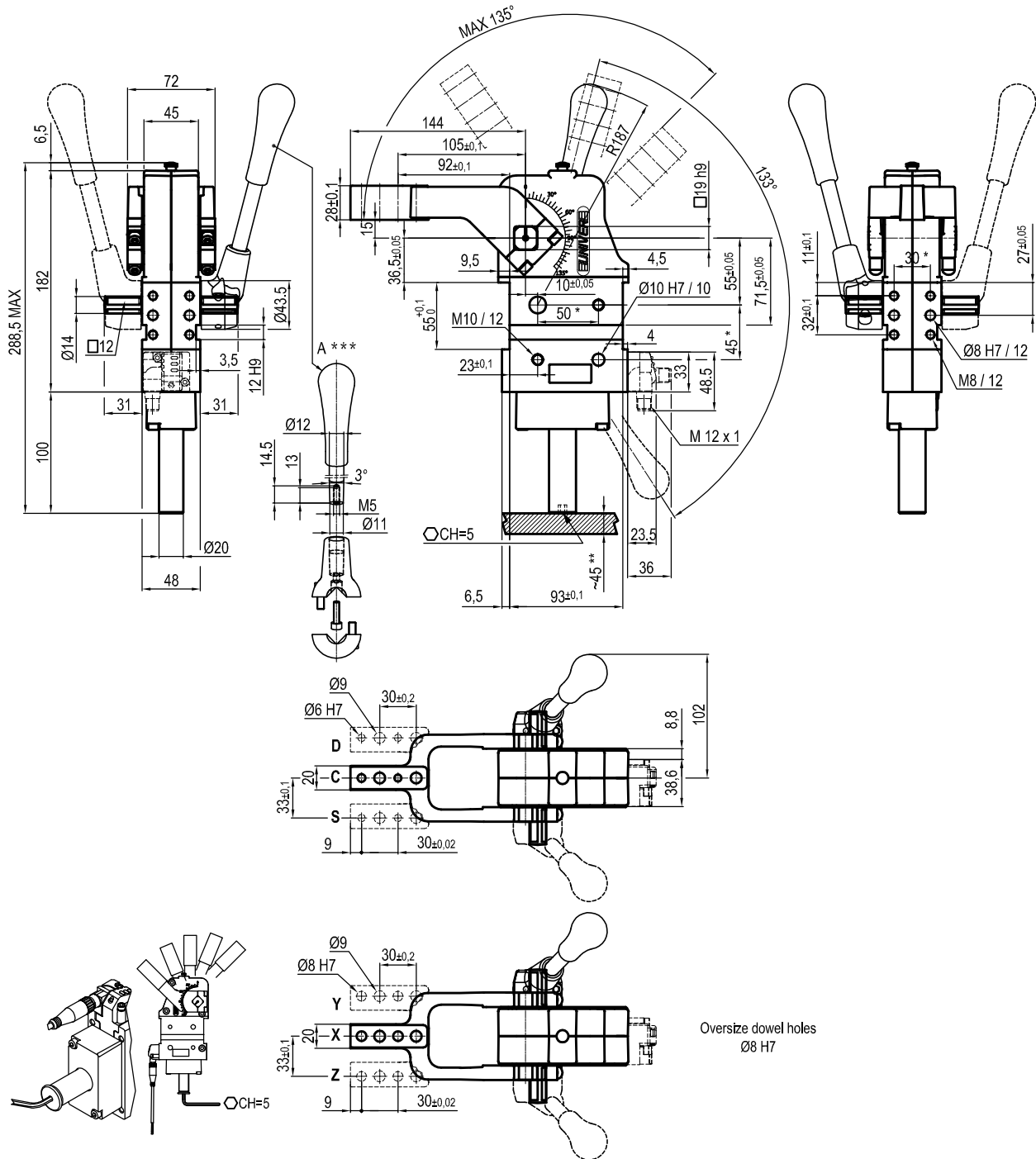
Holding moment	Clamping moment (0.5 MPa)	Weight (Clamping arm not included)
1750Nm	420 Nm	2.5 Kg

Min./Max. operating pressure: **0,4 / 0,6 MPa**  
 Operating temperature: **5° + 45° C**  
 Opening angle: **adjustable from 0° to 135°**  
 Horizontal arm mount position  
 With manual lever  
 Electronic sensor with M12 swivel connector that can be orientated at 0° or 90°  
 Supply voltage: 10÷30 Vdc  
 IP code: **IP 65**

- \* : TOLERANCE BETWEEN DOWEL HOLES ± 0.02, TO SCREW HOLES ± 0.1
- \*\* : AREA TO ACCESS ANGLE ADJUSTMENT
- \*\*\* : DIMENSIONS TO BE RESPECTED IN CASE OTHER MANUAL LEVERS ARE USED

Subject to technical modifications without notice

## UNIVERSAL Manual clamp



Holding moment	Clamping moment (0.5 MPa)	Weight (Clamping arm not included)
1750Nm	420 Nm	2.5 Kg

Min./Max. operating pressure: **0,4 / 0,6 MPa**

Operating temperature: **5° + 45° C**

Opening angle: **adjustable from 0° to 135°**

Vertical arm mount position

With manual lever

Electronic sensor with M12 swivel connector that can be orientated at 0° or 90°

Supply voltage: 10÷30 Vdc

IP code: **IP 65**

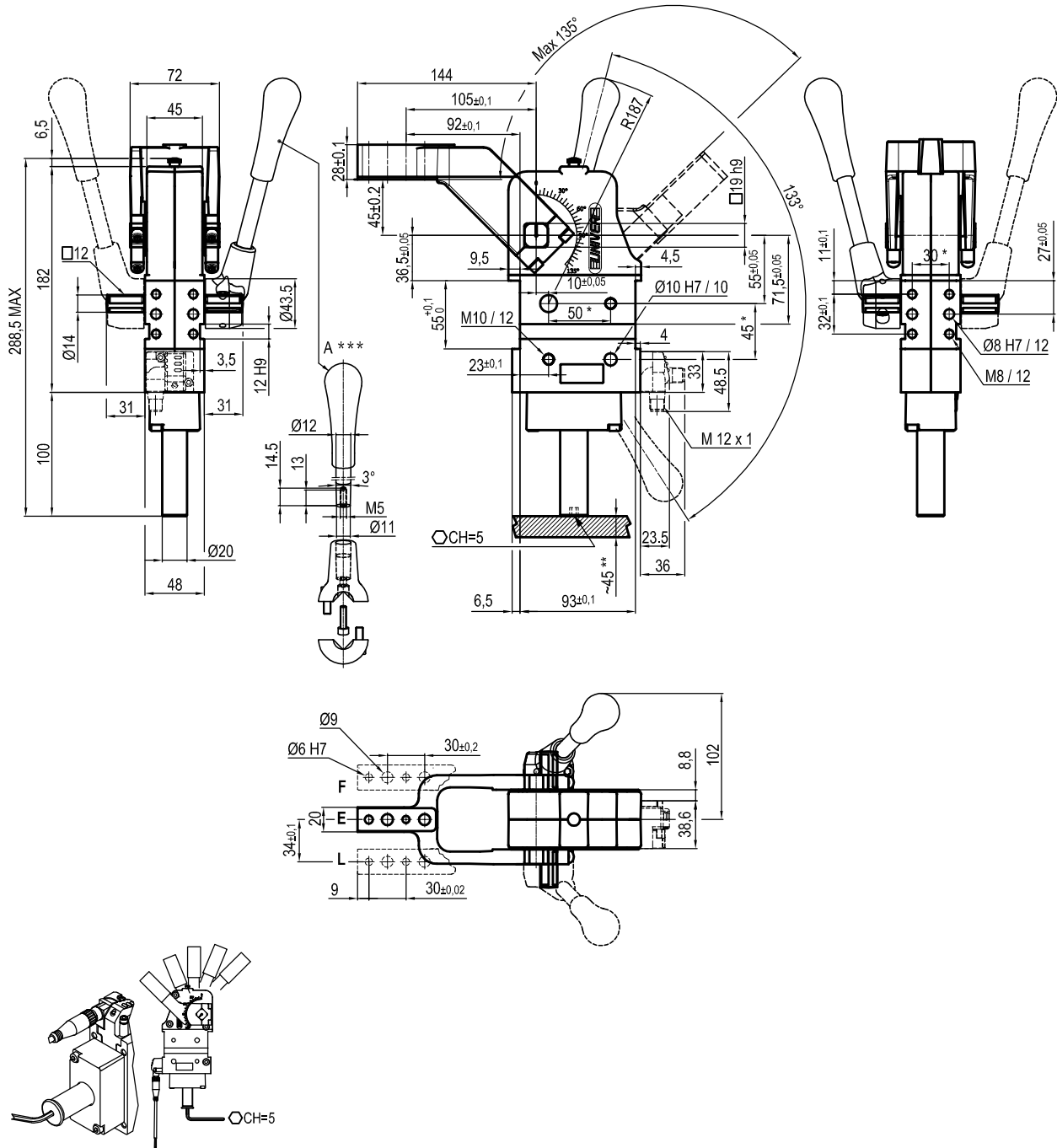
\* : TOLERANCE BETWEEN DOWEL HOLES ± 0.02, TO SCREW HOLES ± 0.1

\*\* : AREA TO ACCESS ANGLE ADJUSTMENT

\*\*\* : DIMENSIONS TO BE RESPECTED IN CASE OTHER MANUAL LEVERS ARE USED

Subject to technical modifications without notice

## UNIVERSAL Manual clamp arm at 45 mm from pivot point

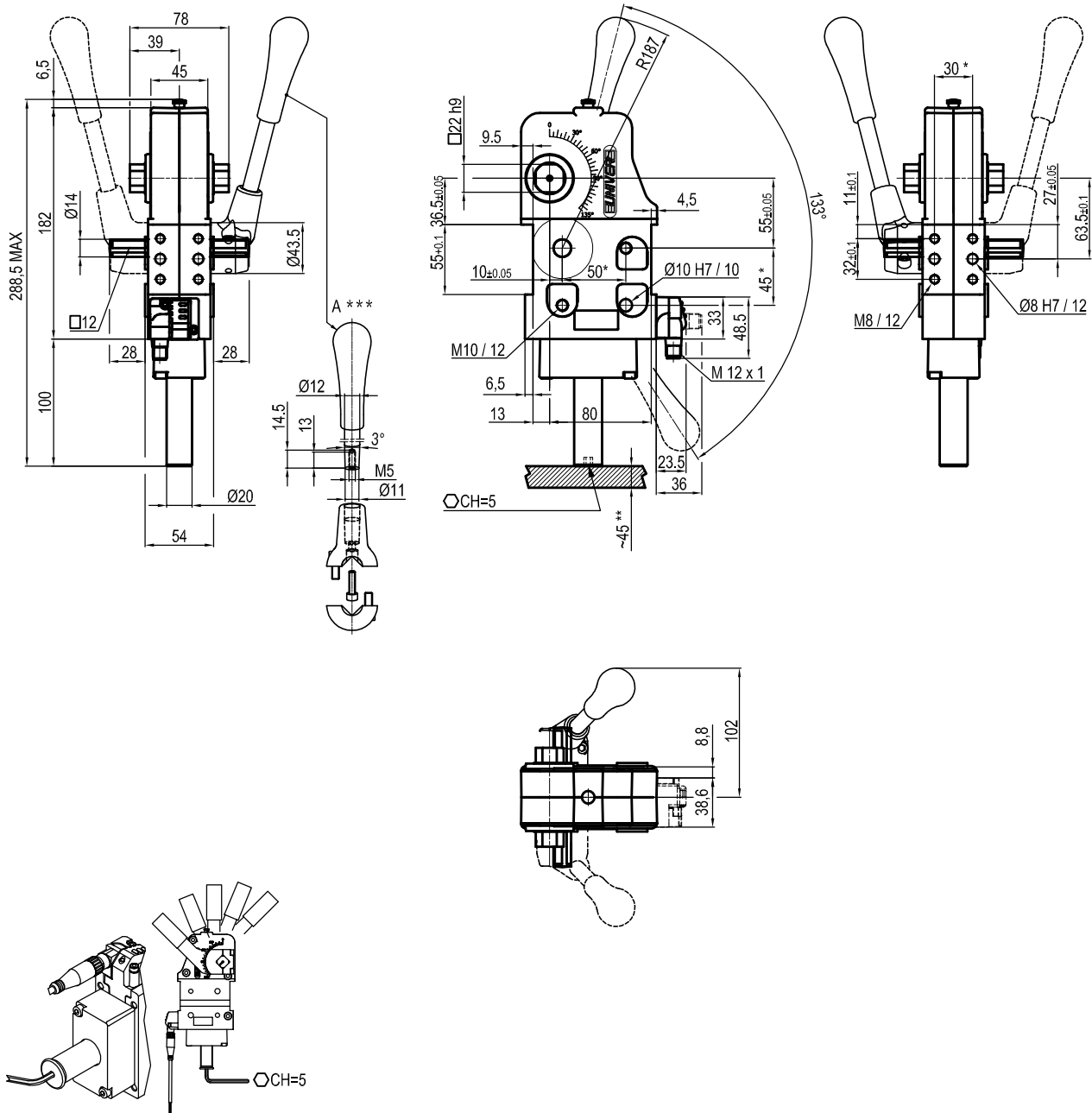


Holding moment	Clamping moment (0.5 MPa)	Weight (Clamping arm not included)
1750Nm	420 Nm	2.5 Kg

Min./Max. operating pressure: **0,4 / 0,6 MPa**  
 Operating temperature: **5° + 45° C**  
 Opening angle: **adjustable from 0° to 135°**  
 Vertical arm mount position  
 With manual lever  
 Electronic sensor with M12 swivel connector that can be orientated at 0° or 90°  
 Supply voltage: 10÷30 Vdc  
 IP code: **IP 65**

- \* : TOLERANCE BETWEEN DOWEL HOLES ± 0.02, TO SCREW HOLES ± 0.1
- \*\* : AREA TO ACCESS ANGLE ADJUSTMENT
- \*\*\* : DIMENSIONS TO BE RESPECTED IN CASE OTHER MANUAL LEVERS ARE USED

Subject to technical modifications without notice



Holding moment	Clamping moment (0.5 MPa)	Weight (Clamping arm not included)
1750Nm	420 Nm	2.5 Kg

Min./Max. operating pressure: **0,4 / 0,6 MPa**

Operating temperature: **5° + 45° C**

Opening angle: **adjustable**

Without arm

With manual lever

Electronic sensor with M12 swivel connector that can be orientated at 0° or 90°

Supply voltage: 10+30 Vdc

IP code: **IP 65**

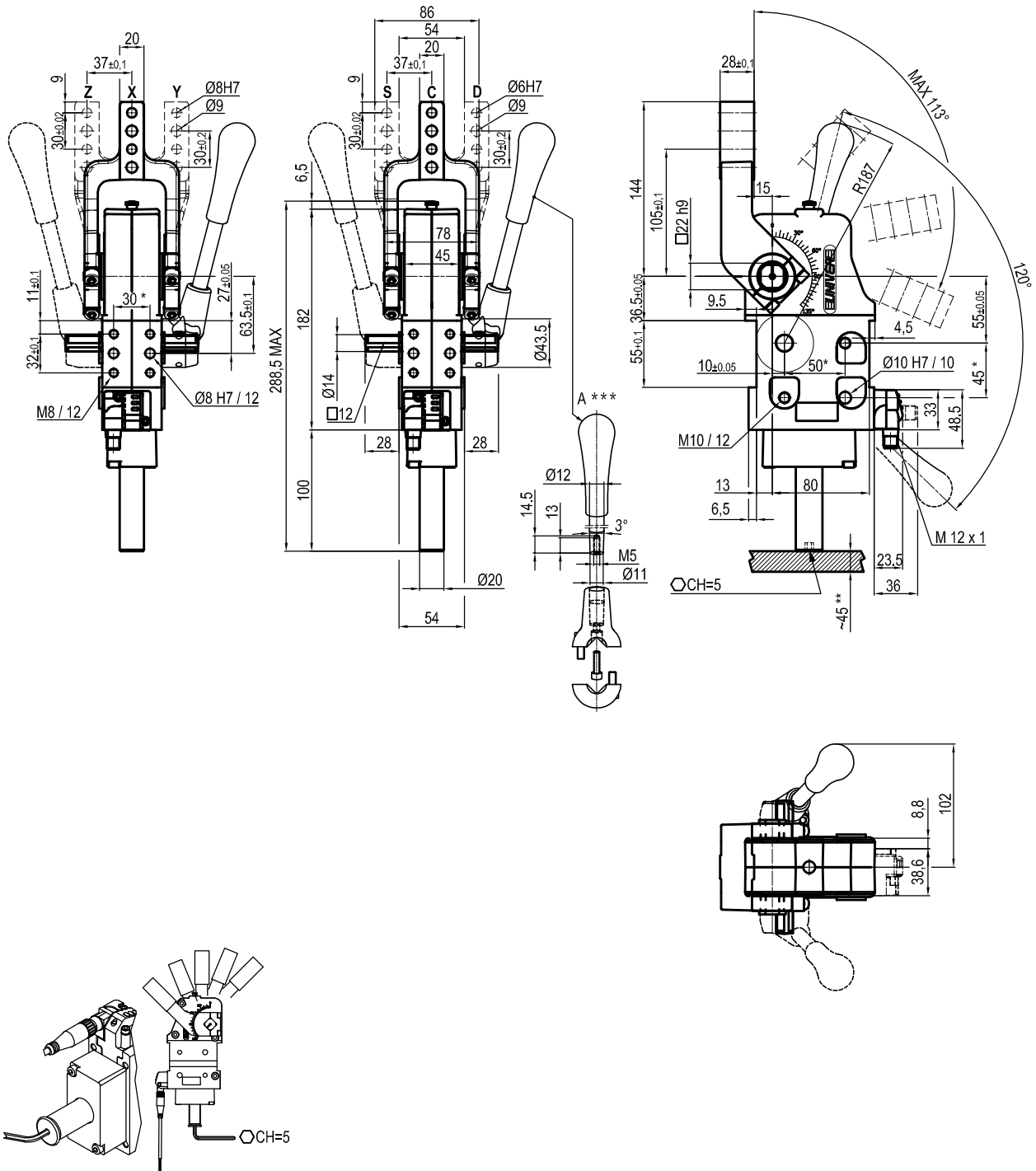
\* : TOLERANCE BETWEEN DOWEL HOLES ± 0.02, TO SCREW HOLES ± 0.1

\*\* : AREA TO ACCESS ANGLE ADJUSTMENT

\*\*\* : DIMENSIONS TO BE RESPECTED IN CASE OTHER MANUAL LEVERS ARE USED

Subject to technical modifications without notice

## UNIVERSAL Manual clamp



Holding moment	Clamping moment (0.5 MPa)	Weight (Clamping arm not included)
1750Nm	420 Nm	2.5 Kg

Min./Max. operating pressure: **0,4 / 0,6 MPa**

Operating temperature: **5° + 45° C**

Opening angle: **adjustable from 0° to 113°**

Horizontal arm mount position

With manual lever

Electronic sensor with M12 swivel connector that can be orientated at 0° or 90°

Supply voltage: 10+30 Vdc

IP code: **IP 65**

\* : TOLERANCE BETWEEN DOWEL HOLES  $\pm 0.02$ , TO SCREW HOLES  $\pm 0.1$

\*\* : AREA TO ACCESS ANGLE ADJUSTMENT

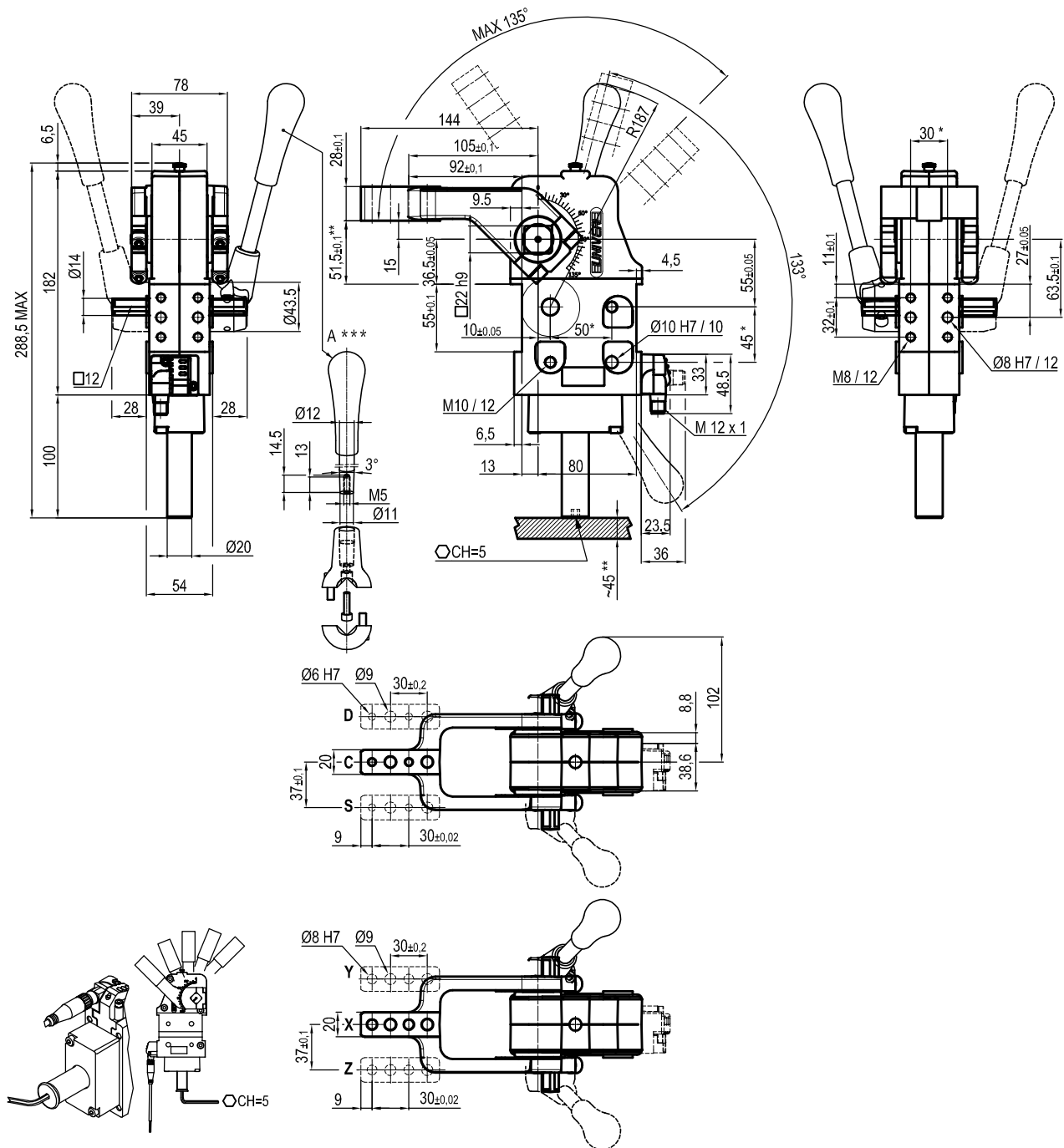
\*\*\* : DIMENSIONS TO BE RESPECTED IN CASE OTHER MANUAL LEVERS ARE USED

Subject to technical modifications without notice





## UNIVERSAL Manual clamp



Holding moment	Clamping moment (0,5 MPa)	Weight (Clamping arm not included)
1750Nm	420 Nm	2.5 Kg

Min./Max. operating pressure: **0,4 / 0,6 MPa**

Operating temperature: **5° + 45° C**

Opening angle: **adjustable from 0° to 135°**

Vertical arm mount position

With manual lever

Electronic sensor with M12 swivel connector that can be orientated at 0° or 90°

Supply voltage: 10+30 Vdc

IP code: **IP 65**

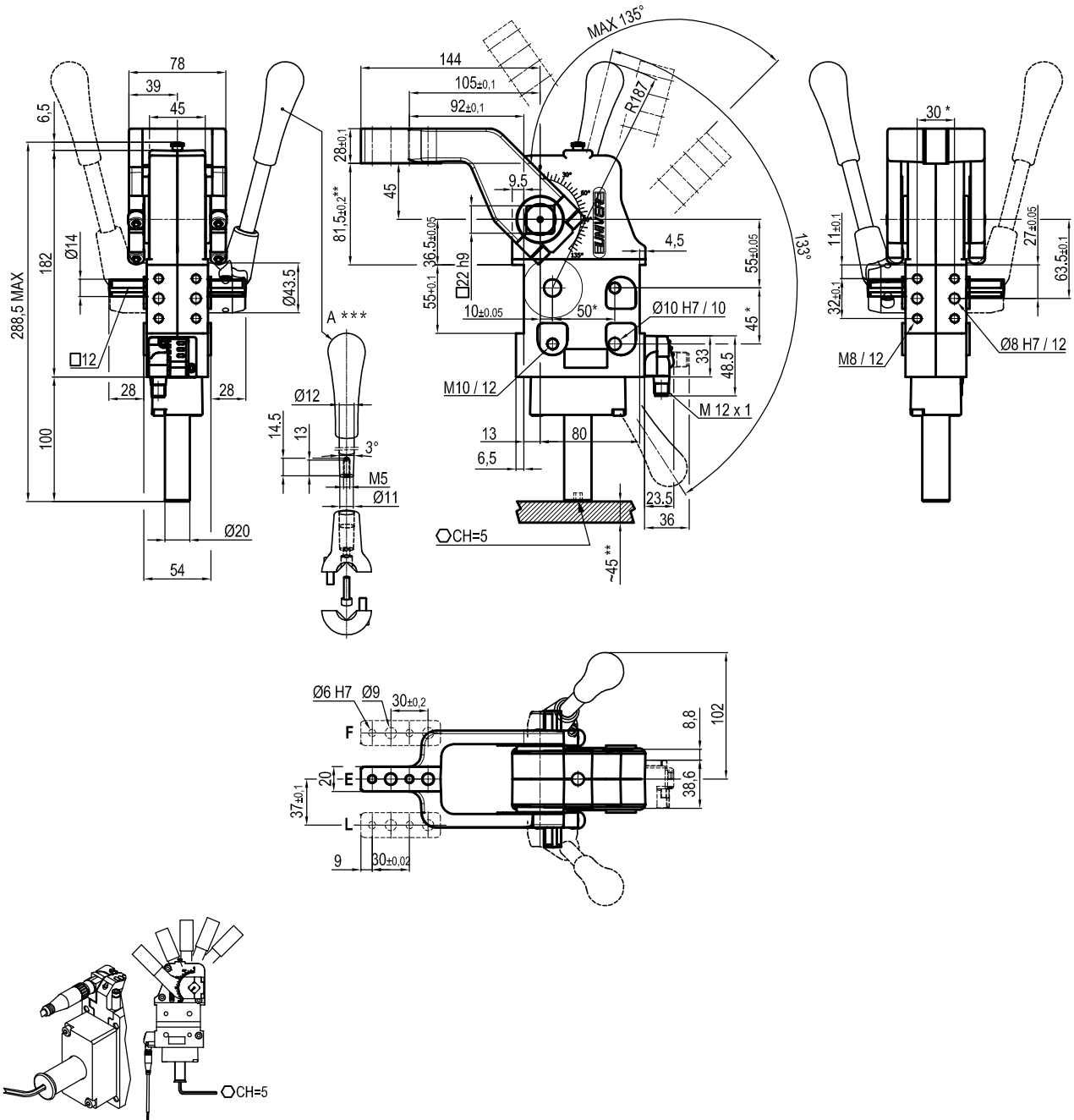
\* : TOLERANCE BETWEEN DOWEL HOLES  $\pm 0.02$ , TO SCREW HOLES  $\pm 0.1$

\*\* : AREA TO ACCESS ANGLE ADJUSTMENT

\*\*\* : DIMENSIONS TO BE RESPECTED IN CASE OTHER MANUAL LEVERS ARE USED

Subject to technical modifications without notice

## UNIVERSAL Manual clamp arm at 45 mm from pivot point



Holding moment	Clamping moment (0.5 MPa)	Weight (Clamping arm not included)
1750Nm	420 Nm	2.5 Kg

Min./Max. operating pressure: **0,4 / 0,6 MPa**

Operating temperature: **5° + 45° C**

Opening angle: **adjustable from 0° to 135°**

Vertical arm mount position

With manual lever

Electronic sensor with M12 swivel connector that can be orientated at 0° or 90°

Supply voltage: 10+30 Vdc

IP code: **IP 65**

\* : TOLERANCE BETWEEN DOWEL HOLES  $\pm 0.02$ , TO SCREW HOLES  $\pm 0.1$

\*\* : AREA TO ACCESS ANGLE ADJUSTMENT

\*\*\* : DIMENSIONS TO BE RESPECTED IN CASE OTHER MANUAL LEVERS ARE USED

Subject to technical modifications without notice