

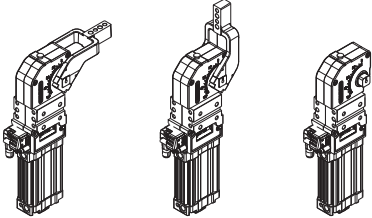
UBQ40

UNIVERSAL Power clamps

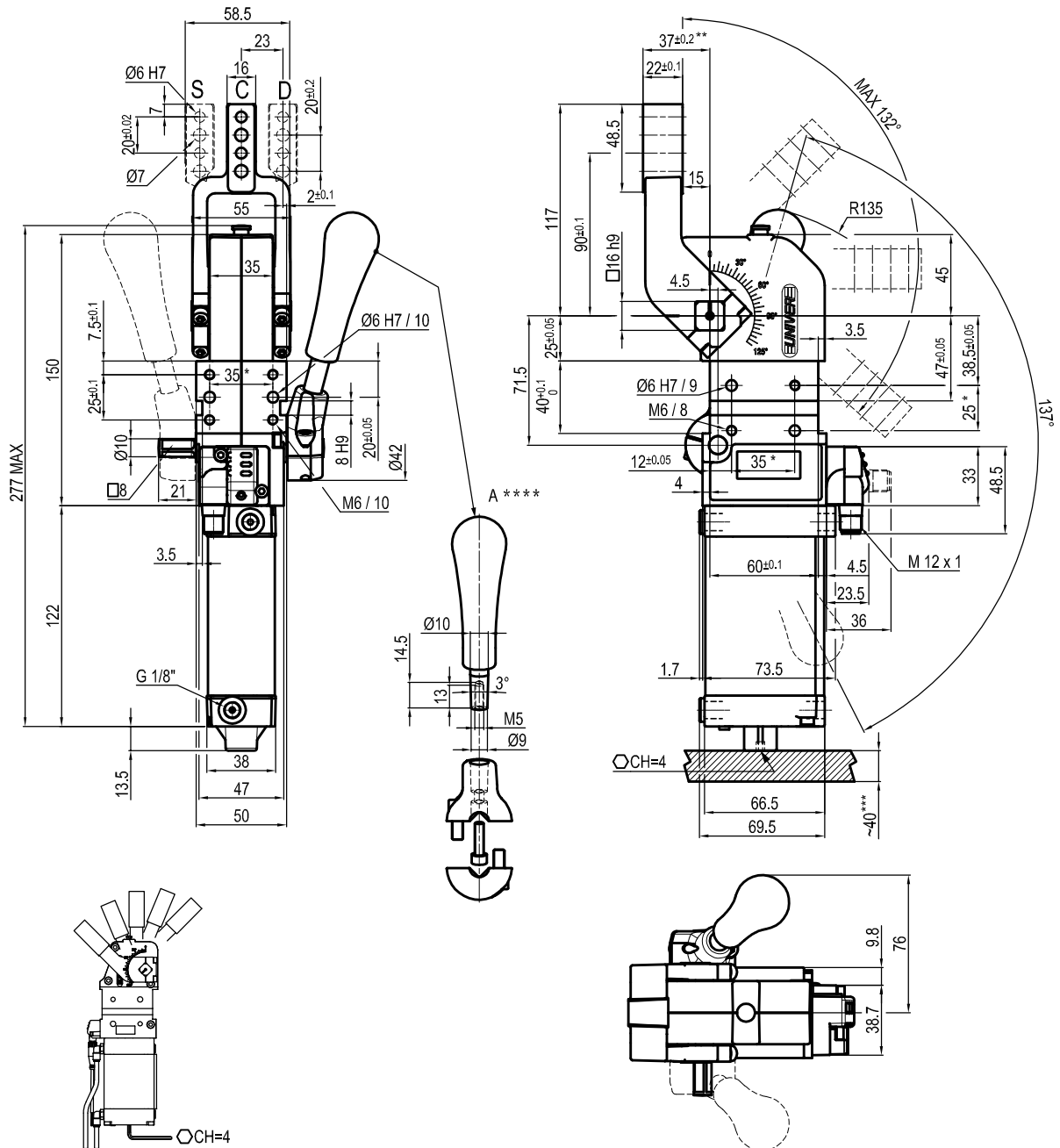


| | | | | | | | |
|---|---|---|---|---|---|---|---|
| U | B | Q | 4 | 0 | N | N | E |
| 1 | 2 | 3 | 4 | 5 | 6 | | |

| | | |
|--|--|--------------------------------------|
| 1 Series UB = UNIVERSAL Power clamps fully adjustable opening angle: 0° to 135° Max The opening angle range may vary according to the arm position and style | 2 Version Q = Pneumatic with manual lever | 3 Size 40 = Ø 40 mm |
|--|--|--------------------------------------|

| | | |
|--|--|--|
| 4 Arm position V = 90° O = 180° N = No arm  | 5 Arm style C = Central, 15 mm offset (standard) D = Right, 15 mm offset (standard) S = Left, 15 mm offset (standard) E = Central, 45mm offset F = Right, 45mm offset L = Left, 45mm offset N = No arm X = Central, oversized dowel holes Ø 8 H7, 15 mm offset Y = Right, oversized dowel holes Ø 8 H7, 15 mm offset Z = Left, oversized dowel holes Ø 8 H7, 15 mm offset | 6 Sensor N = No sensor (with protection plate) E = Electronic sensor with M12 swivel connector D = Pneumatic sensor |
|--|--|--|

UNIVERSAL Pneumatic clamp with manual lever



| Bore Ø | Holding moment | Clamping moment (0.5 MPa) | Weight (Clamping arm not included) |
|--------|----------------|---------------------------|------------------------------------|
| 40 mm | 600 Nm | 170 Nm | 1.8 Kg |

Min./Max. operating pressure: **0,4 / 0,6 MPa**

Operating temperature: **5° + 45° C**

Opening angle: **adjustable from 0° to 132°**

With manual lever

Electronic sensor with M12 swivel connector that can be orientated at 0° or 90°

Supply voltage: 10±30 Vdc

IP code: **IP 65**

Pneumatic ports on both sides

* : TOLERANCE BETWEEN DOWELS ± 0.02, TO SCREW HOLES ± 0.1

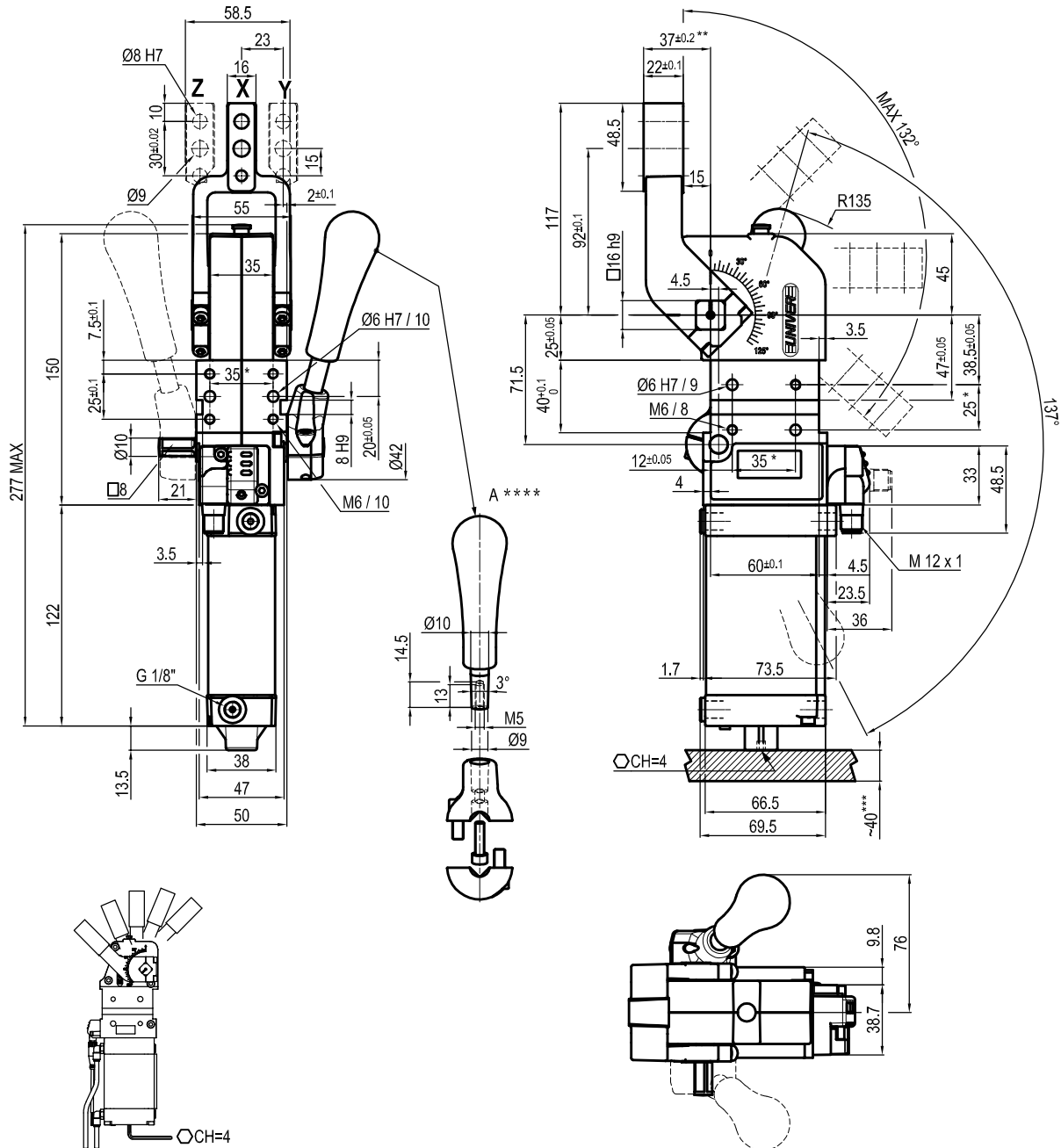
** : TOLERANCE AT 80 mm FROM PIVOT POINT

*** : AREA TO ACCES ANGLE ADJUSTMENT

**** : DIMENSIONS TO BE RESPECTED IN CASE OTHER MANUAL LEVERS ARE USED

Subject to technical modifications without notice

UNIVERSAL Pneumatic clamp with manual lever (arm style X-Y-Z)



| Bore Ø | Holding moment | Clamping moment (0.5 MPa) | Weight (Clamping arm not included) |
|--------|----------------|---------------------------|------------------------------------|
| 40 mm | 600 Nm | 170 Nm | 1.8 Kg |

Min./Max. operating pressure: **0,4 / 0,6 MPa**

Operating temperature: **5° + 45° C**

Opening angle: **adjustable from 0° to 132°**

With manual lever

Electronic sensor with M12 swivel connector that can be orientated at 0° or 90°

Supply voltage: 10÷30 Vdc

IP code: **IP 65**

Pneumatic ports on both sides

* : TOLERANCE BETWEEN DOWELS ± 0.02, TO SCREW HOLES ± 0.1

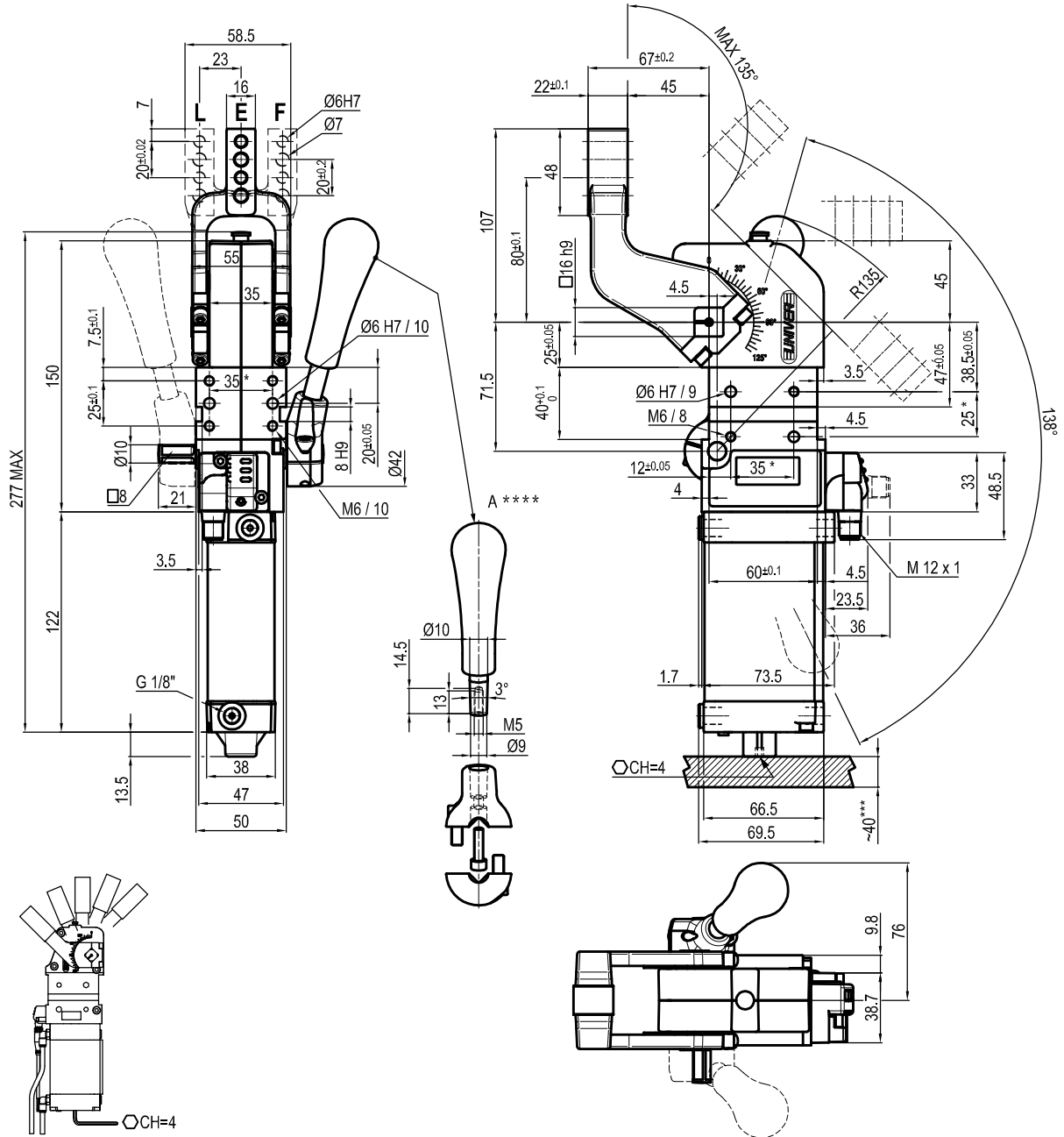
** : TOLERANCE AT 80 mm FROM PIVOT POINT

*** : AREA TO ACCES ANGLE ADJUSTMENT

**** : DIMENSIONS TO BE RESPECTED IN CASE OTHER MANUAL LEVERS ARE USED

Subject to technical modifications without notice

UNIVERSAL Pneumatic clamp arm at 45 mm from pivot point



| Bore Ø | Holding moment | Clamping moment (0.5 MPa) | Weight (Clamping arm not included) |
|--------|----------------|---------------------------|------------------------------------|
| 40 mm | 600 Nm | 170 Nm | 1.8 Kg |

Min./Max. operating pressure: **0,4 / 0,6 MPa**

Operating temperature: **5° + 45° C**

Opening angle: **adjustable from 0° to 135°**

With manual lever

Electronic sensor with M12 swivel connector that can be orientated at 0° or 90°

Supply voltage: 10÷30 Vdc

IP code: **IP 65**

Pneumatic ports on both sides

* : TOLERANCE BETWEEN DOWELS ± 0.02, TO SCREW HOLES ± 0.1

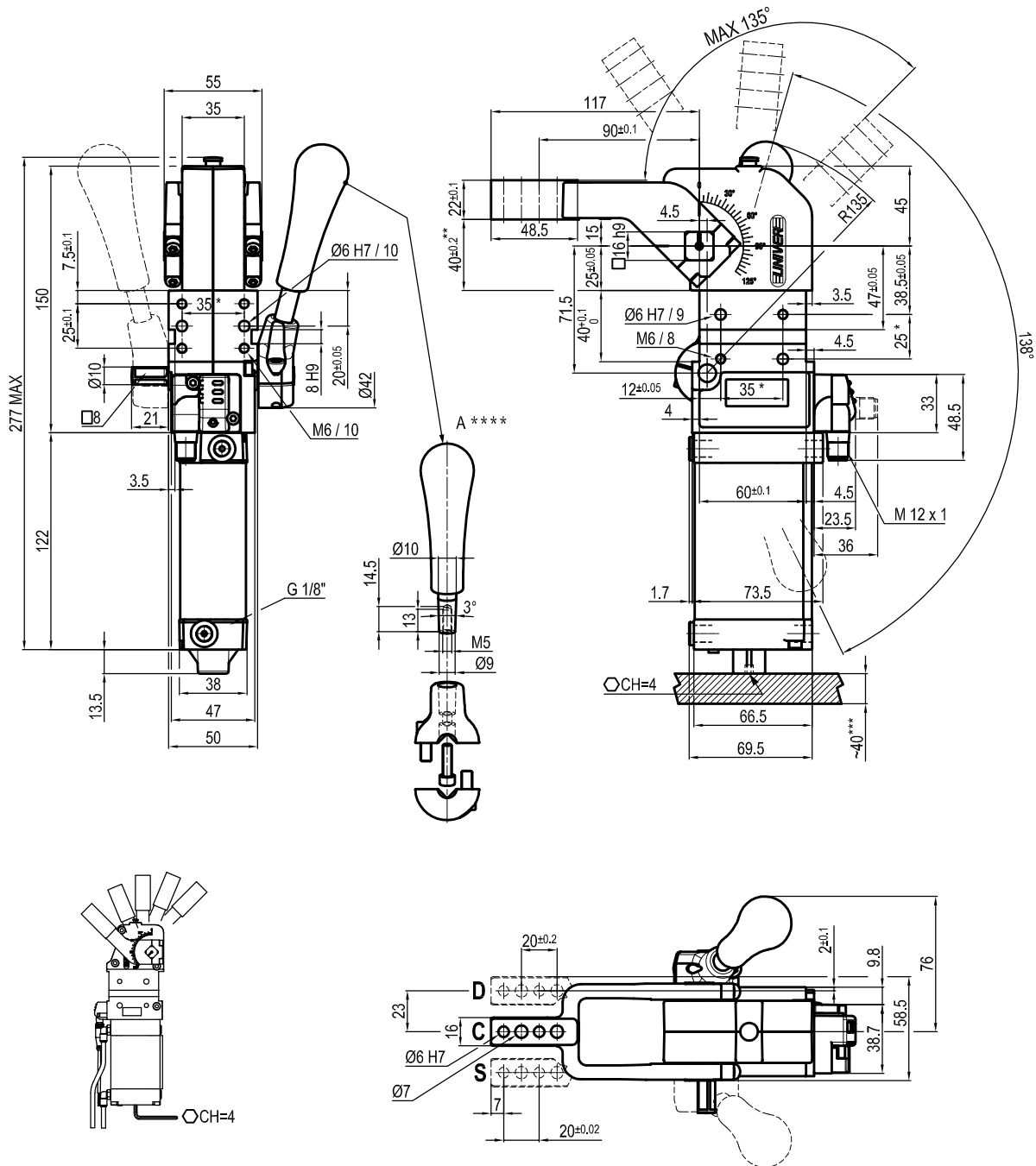
** : TOLERANCE AT 80 mm FROM PIVOT POINT

*** : AREA TO ACCES ANGLE ADJUSTMENT

**** : DIMENSIONS TO BE RESPECTED IN CASE OTHER MANUAL LEVERS ARE USED

Subject to technical modifications without notice

UNIVERSAL Pneumatic clamp with manual lever



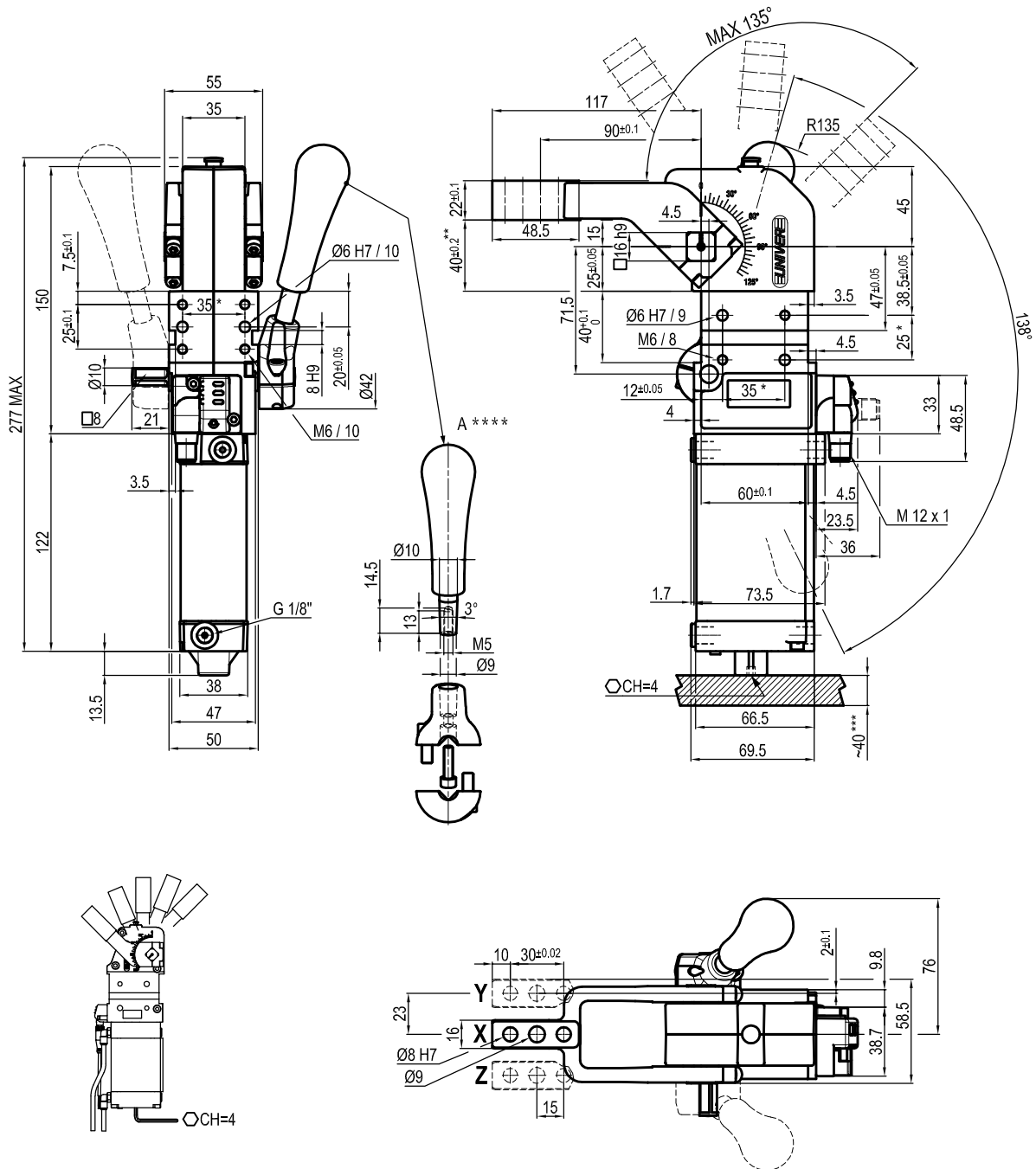
| Bore Ø | Holding moment | Clamping moment (0.5 MPa) | Weight (Clamping arm not included) |
|--------|----------------|---------------------------|------------------------------------|
| 40 mm | 600 Nm | 170 Nm | 1.8 Kg |

Min./Max. operating pressure: **0,4 / 0,6 MPa**
 Operating temperature: **5° + 45° C**
 Opening angle: **adjustable from 0° to 135°**
 With manual lever
 Electronic sensor with M12 swivel connector that can be orientated at 0° or 90°
 Supply voltage: 10÷30 Vdc
 IP code: **IP 65**
 Pneumatic ports on both sides

- * : TOLERANCE BETWEEN DOWELS ± 0.02, TO SCREW HOLES ± 0.1
- ** : TOLERANCE AT 80 mm FROM PIVOT POINT
- *** : AREA TO ACCESS ANGLE ADJUSTMENT
- **** : DIMENSIONS TO BE RESPECTED IN CASE OTHER MANUAL LEVERS ARE USED

Subject to technical modifications without notice

UNIVERSAL Pneumatic clamp with manual lever (arm style X-Y-Z)



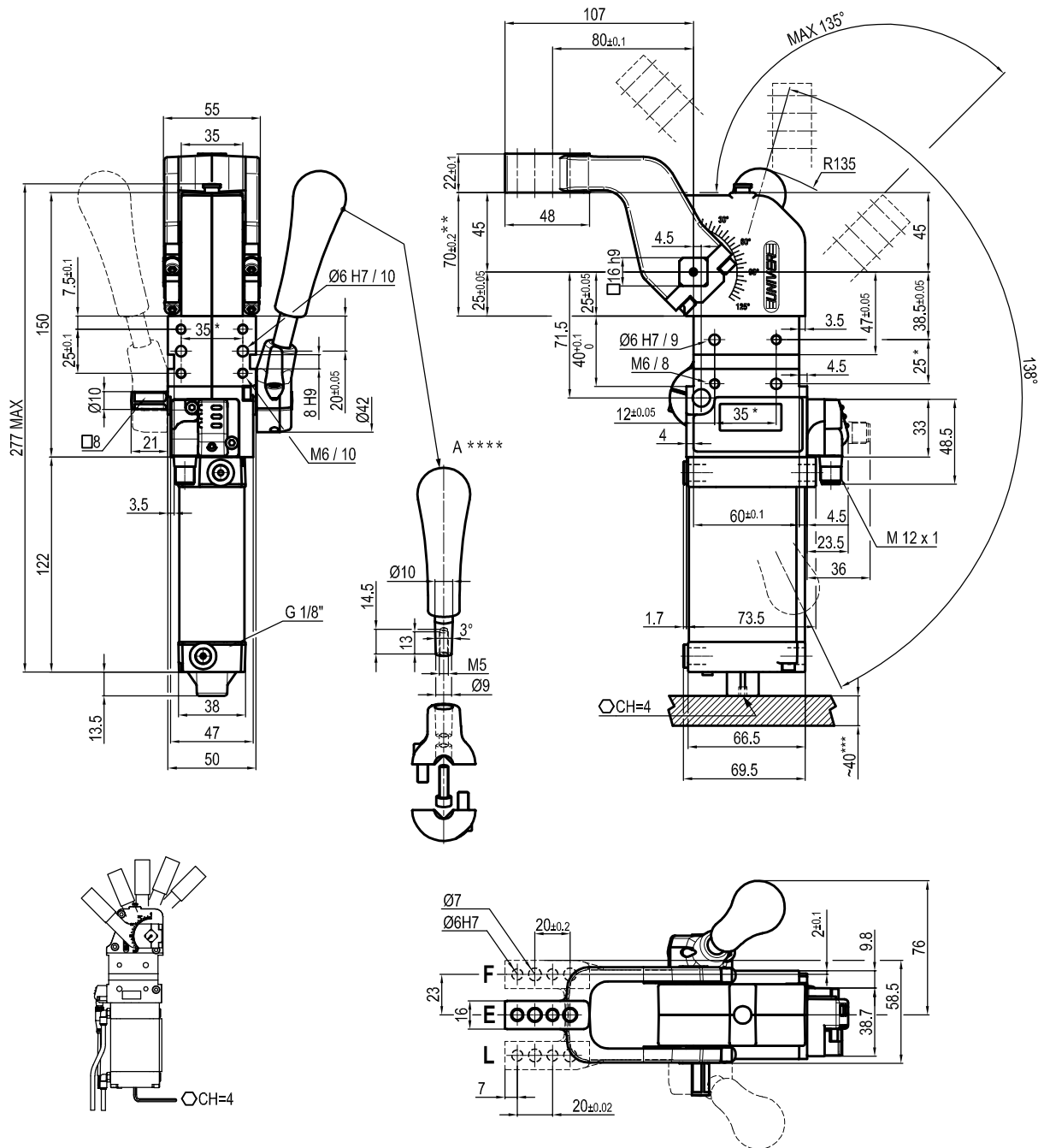
| Bore Ø | Holding moment | Clamping moment (0.5 MPa) | Weight (Clamping arm not included) |
|--------|----------------|---------------------------|------------------------------------|
| 40 mm | 600 Nm | 170 Nm | 1.8 Kg |

Min./Max. operating pressure: **0,4 / 0,6 MPa**
 Operating temperature: **5° + 45° C**
 Opening angle: **adjustable from 0° to 135°**
 With manual lever
 Electronic sensor with M12 swivel connector that can be orientated at 0° or 90°
 Supply voltage: 10÷30 Vdc
 IP code: **IP 65**
 Pneumatic ports on both sides

- * : TOLERANCE BETWEEN DOWELS ± 0.02, TO SCREW HOLES ± 0.1
- ** : TOLERANCE AT 80 mm FROM PIVOT POINT
- *** : AREA TO ACCESS ANGLE ADJUSTMENT
- **** : DIMENSIONS TO BE RESPECTED IN CASE OTHER MANUAL LEVERS ARE USED

Subject to technical modifications without notice

UNIVERSAL Pneumatic clamp arm at 45 mm from pivot point



| Bore Ø | Holding moment | Clamping moment (0.5 MPa) | Weight (Clamping arm not included) |
|--------|----------------|---------------------------|------------------------------------|
| 40 mm | 600 Nm | 170 Nm | 1.8 Kg |

Min./Max. operating pressure: **0,4 / 0,6 MPa**
 Operating temperature: **5° + 45° C**
 Opening angle: **adjustable from 0° to 135°**
 With manual lever
 Electronic sensor with M12 swivel connector that can be orientated at 0° or 90°
 Supply voltage: 10÷30 Vdc
 IP code: **IP 65**
 Pneumatic ports on both sides

* : TOLERANCE BETWEEN DOWELS ± 0.02, TO SCREW HOLES ± 0.1
 ** : TOLERANCE AT 80 mm FROM PIVOT POINT
 *** : AREA TO ACCESS ANGLE ADJUSTMENT
 **** : DIMENSIONS TO BE RESPECTED IN CASE OTHER MANUAL LEVERS ARE USED

Subject to technical modifications without notice