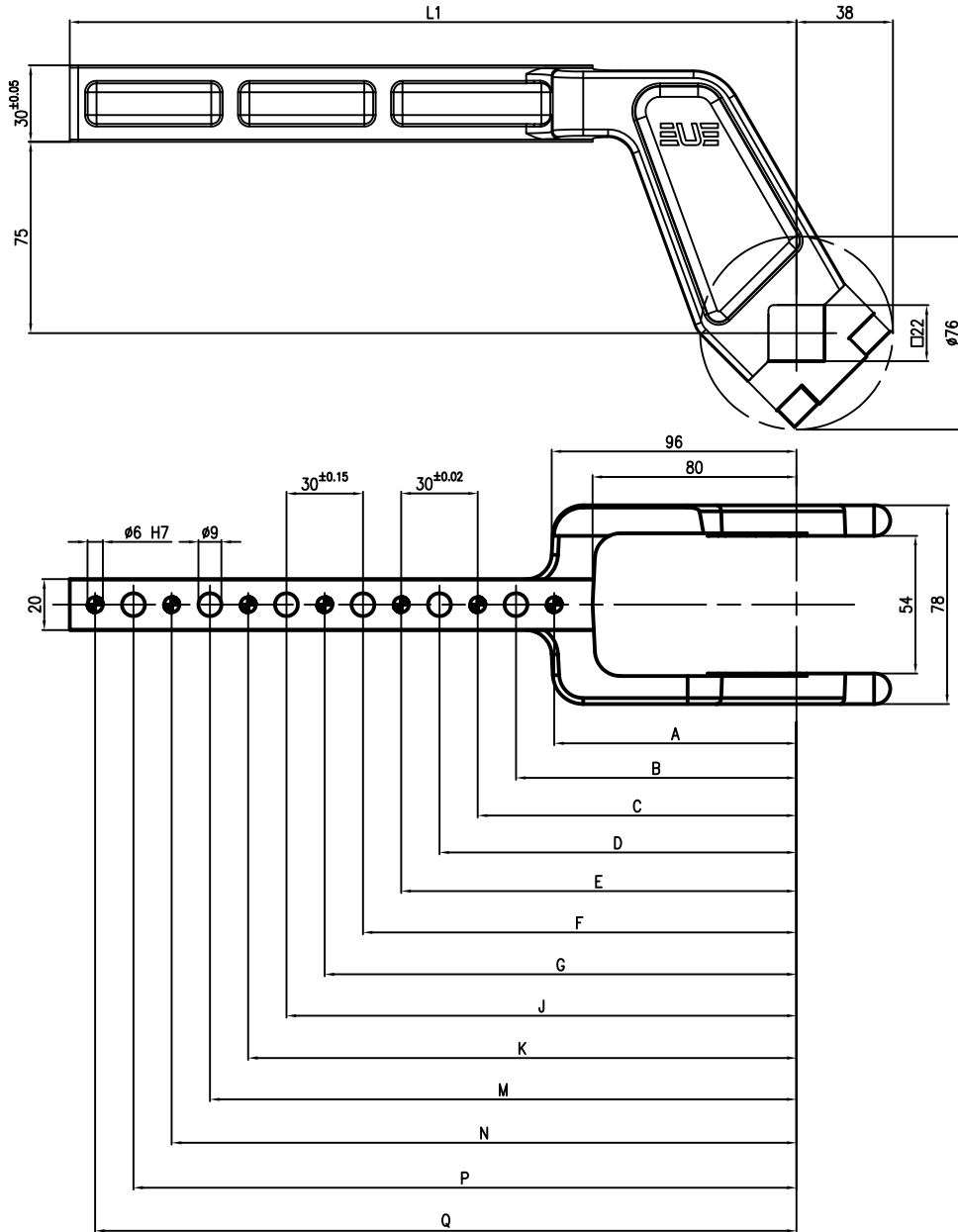


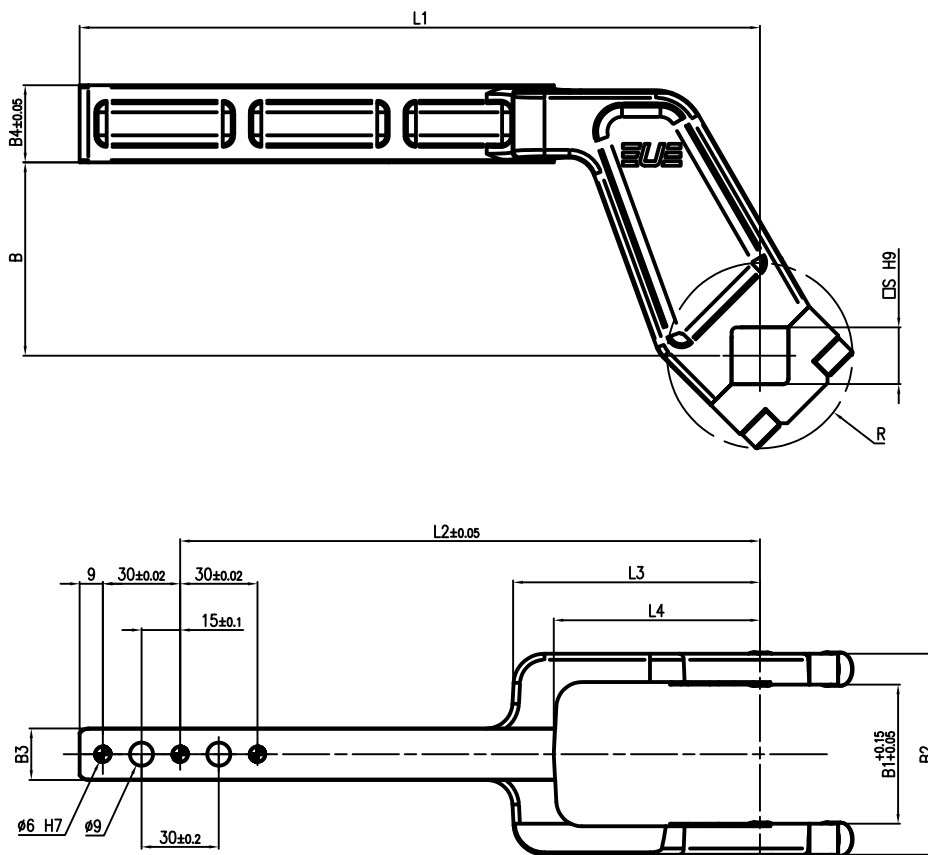
□22 mm, offset 75 mm for URP/UOP series



Code	A Dowel	B	C Dowel	D	E Dowel	F	G Dowel	J	K Dowel	M	N Dowel	P	Q Dowel	L	OAL REF	Weight Kg	Material
LK022075135WN	95	110	125											135	166	1.26	Steel
LK022075165WN	95	110	125	140	155									165	196	1.36	Steel
LK022075195WN	95	110	125	140	155	170	185							195	226	1.46	Steel
LK022075225WN	95	110	125	140	155	170	185	200	215					225	260	1.56	Steel
LK022075255WN	95	110	125	140	155	170	185	200	215	230	245			255	290	1.65	Steel
LK022075285WN	95	110	125	140	155	170	185	200	215	230	245	260	275	285	320	1.77	Steel

UNIVER® LKP010-2304 / LKP010-2305 / LKP010-2306

□22 mm, offset 75 mm



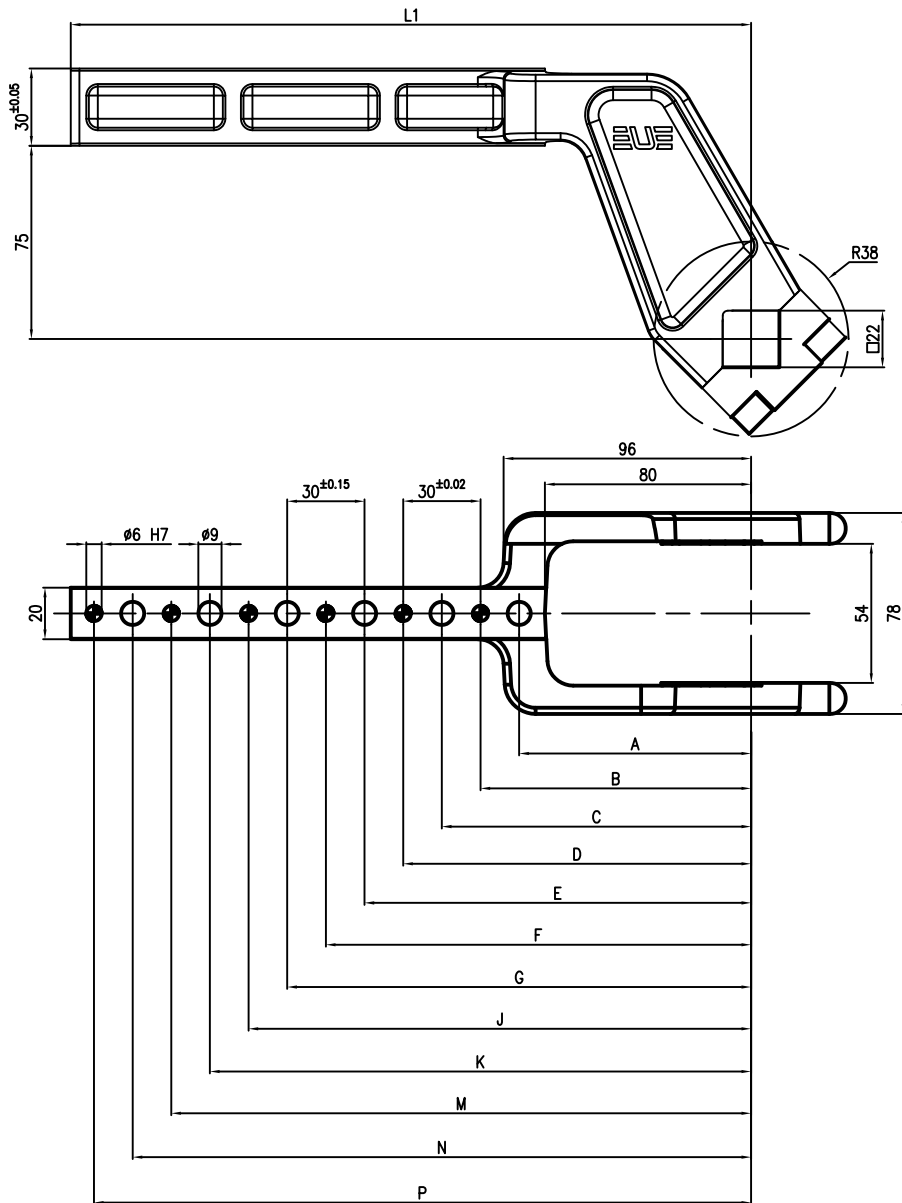
LKP-Code	B	B1	B2	B3	B4	L1	L2	L3	L4	R	S	Material
LKP010-2304	75	54	78	20	30	144	105	95	80	36	22	Steel
LKP010-2305	75	54	78	20	30	204	165	95	80	36	22	Steel
LKP010-2306	75	54	78	20	30	264	225	95	80	36	22	Steel

Subject to technical modifications without notice

Rev. 00 20.06.11

Automotive 

□22 mm, offset 75 mm



Code	A	B Dowel	C	D Dowel	E	F Dowel	G	J Dowel	K	M Dowel	N	P Dowel	L	OAL REF	Material
LKP22075144WG	90	105	120	135									144	174	Aluminium
LKP22075204WG	90	105	120	135	150	165	180	195					204	234	Steel
LKP22075264WG	90	105	120	135	150	165	180	195	210	225	240	255	264	301	Steel