

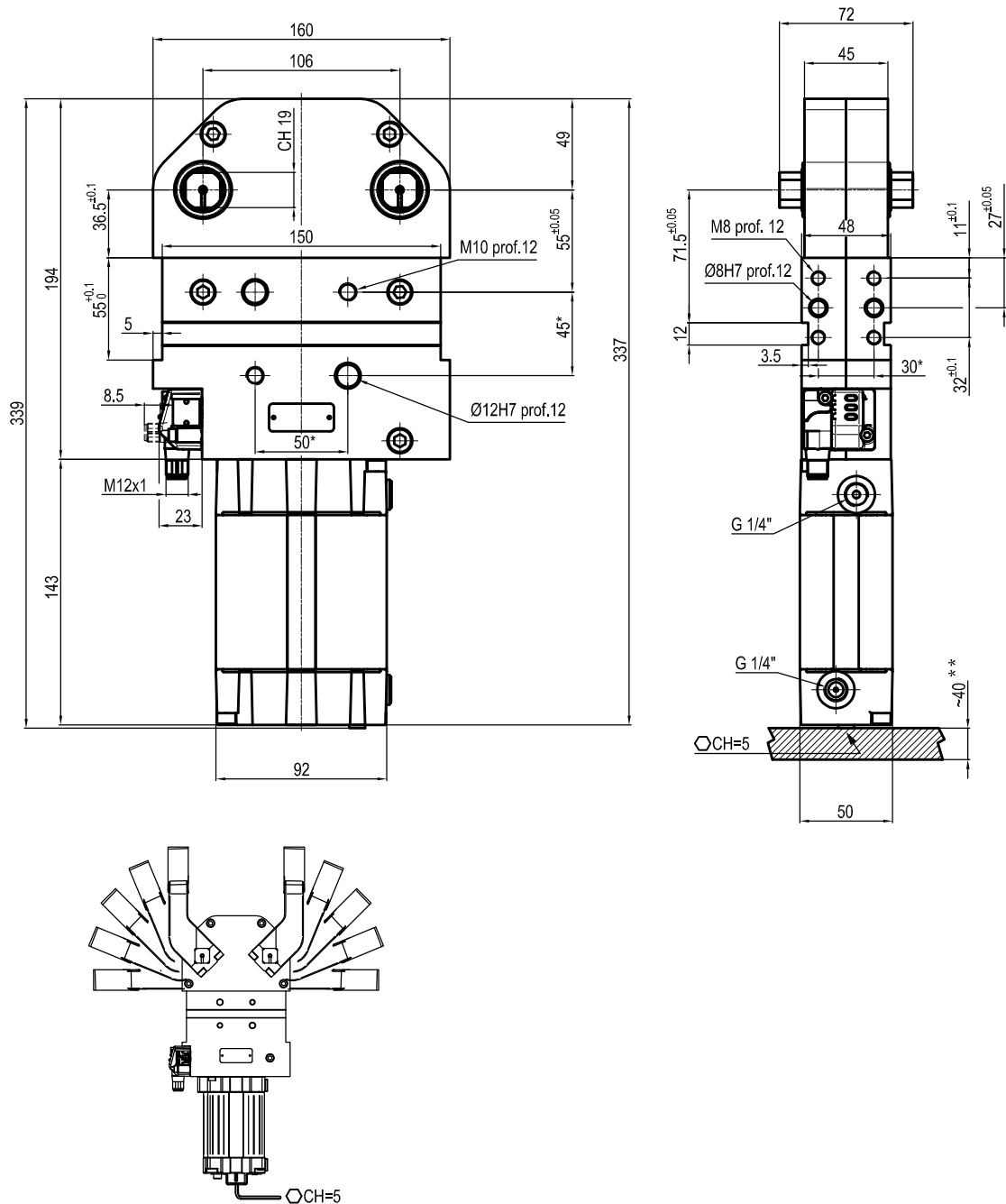
UDP63

Unità di bloccaggio **UNIVERSAL** a doppio pressore



U	D	P	6	3	D	E	E
1	2	3	4	5	6		

<p>1 Serie</p> <p>UD = Unità di bloccaggio UNIVERSAL a doppio pressore con regolazione continua angolo d'apertura da: 0° a 180° Max L'angolo di apertura può variare a seconda della posizione dei pressori</p>	<p>2 Versione</p> <p>P = Pneumatica standard</p>	<p>3 Taglia</p> <p>63 = Ø 63 mm</p>
<p>4 Caratteristiche pressore</p> <p>D = Doppio pressore</p>	<p>5 Tipo di pressore</p> <p>C = Centrale, 15 mm offset D = Destro, 15 mm offset S = Sinistro, 15 mm offset E = Centrale, 45 mm offset F = Destro, 45 mm offset L = Sinistro, 45 mm offset N = Senza pressore</p>	<p>6 Sensore di posizione</p> <p>N = Senza sensore (con piastra di chiusura) E = Sensore elettronico con connettore M12 orientabile</p>



Bore Ø	Clamping moment	Weight (clamping arms not included)
63 mm	130 Nm	4,6 Kg

Min./Max. operating pressure: **0,4 / 0,6 MPa**

Operating temperature: **5° + 45° C**

Opening angle: **adjustable**

Without arm

Electronic sensor with M12 swivel connector that can be orientated at 0° or 90°

Supply voltage: 10-30 Vdc

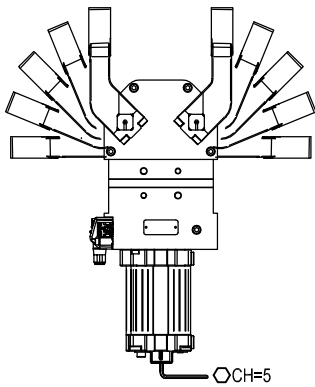
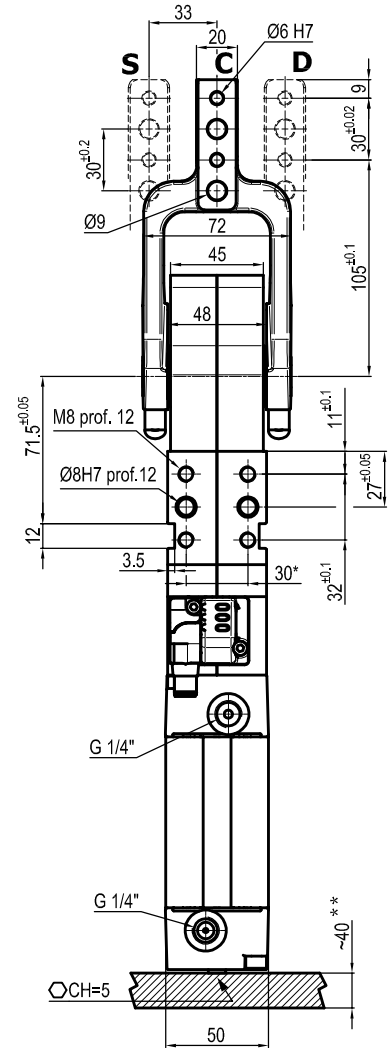
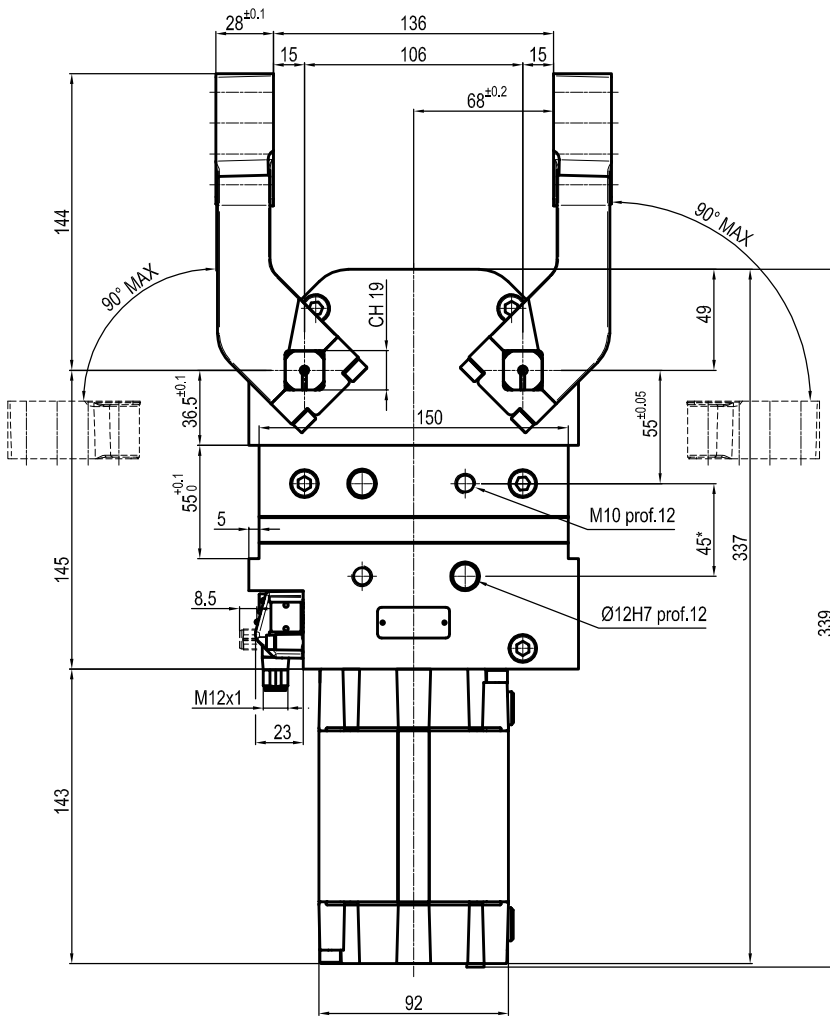
IP code: **IP 65**

Pneumatic ports on both sides

* : TOLERANCE BETWEEN DOWEL HOLES ± 0.02, TO SCREW HOLES ± 0.1

** : AREA TO ACCESS ANGLE ADJUSTMENT

Subject to technical modification without notice.



Bore Ø	Clamping moment	Weight (clamping arms not included)
63 mm	130 Nm	4,6 Kg

Min./Max. operating pressure: **0,4 / 0,6 MPa**

Operating temperature: **5° + 45° C**

Opening angle: **adjustable from 0° to 90°**

Electronic sensor with M12 swivel connector that can be orientated at 0° or 90°

Supply voltage: 10+30 Vdc

IP code: **IP 65**

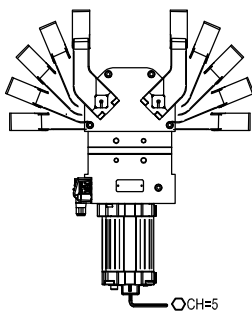
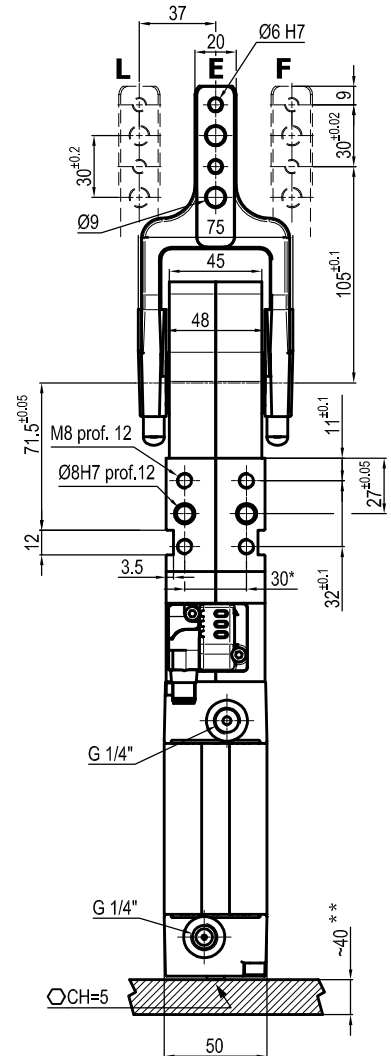
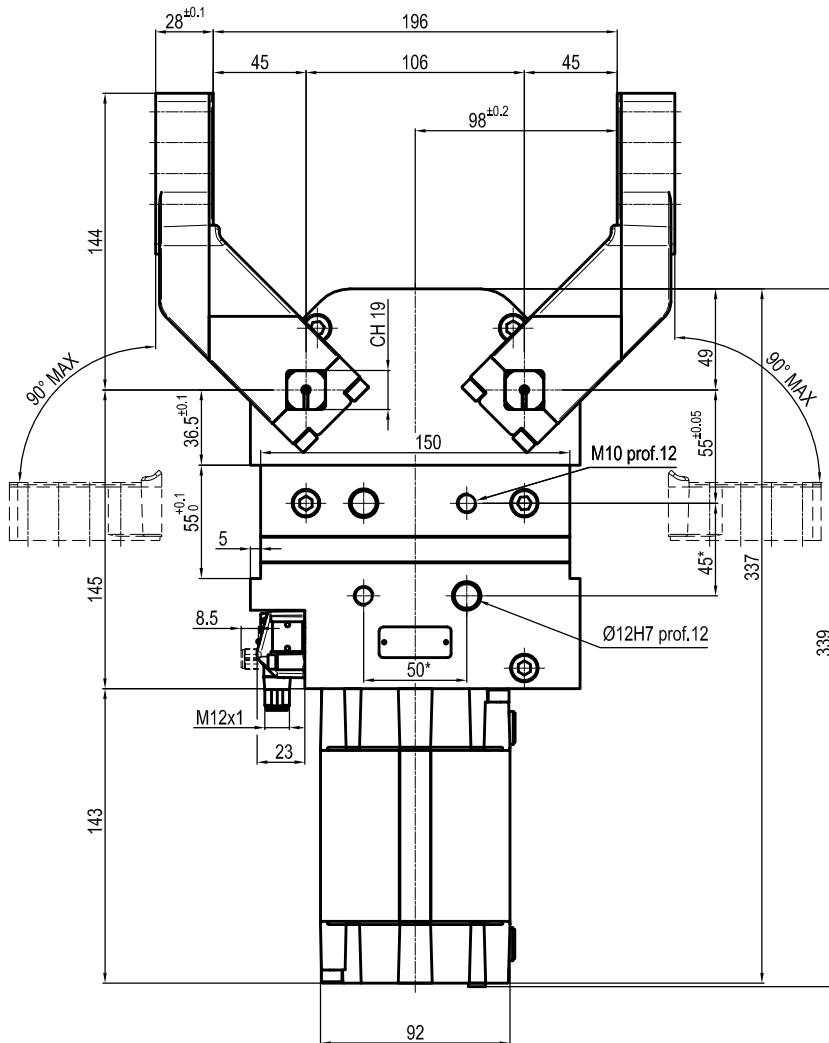
Pneumatic ports on both sides

* : TOLERANCE BETWEEN DOWEL HOLES ± 0.02, TO SCREW HOLES ± 0.1

** : AREA TO ACCESS ANGLE ADJUSTMENT

Subject to technical modification without notice.

UNIVERSAL Pneumatic clamp arms at 45 mm from pivot point



Bore Ø	Clamping moment	Weight (clamping arms not included)
63 mm	130 Nm	4,6 Kg

Min./Max. operating pressure: **0,4 / 0,6 MPa**
 Operating temperature: **5° + 45° C**
 Opening angle: **adjustable from 0° to 90°**
 Electronic sensor with M12 swivel connector that can be orientated at 0° or 90°
 Supply voltage: 10÷30 Vdc
 IP code: **IP 65**
 Pneumatic ports on both sides

* : TOLERANCE BETWEEN DOWEL HOLES ± 0.02 , TO SCREW HOLES ± 0.1
 ** : AREA TO ACCESS ANGLE ADJUSTMENT

Subject to technical modification without notice.