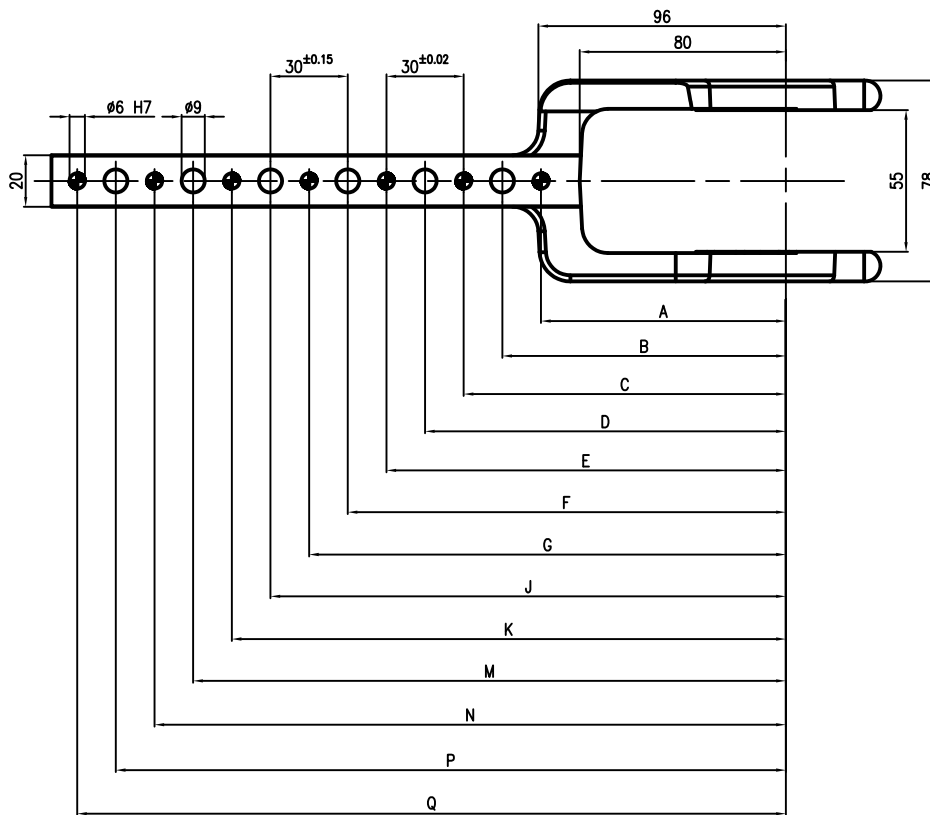
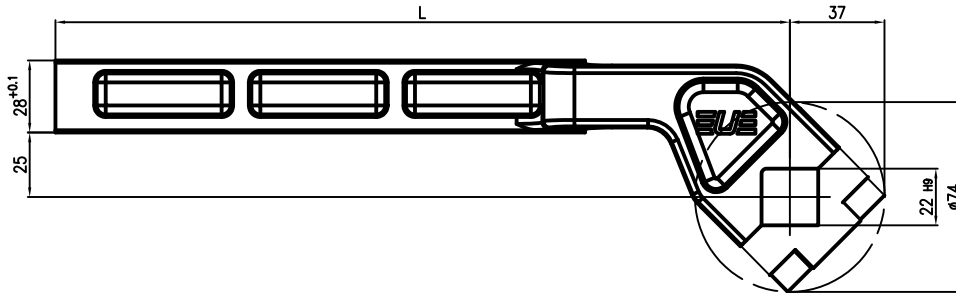
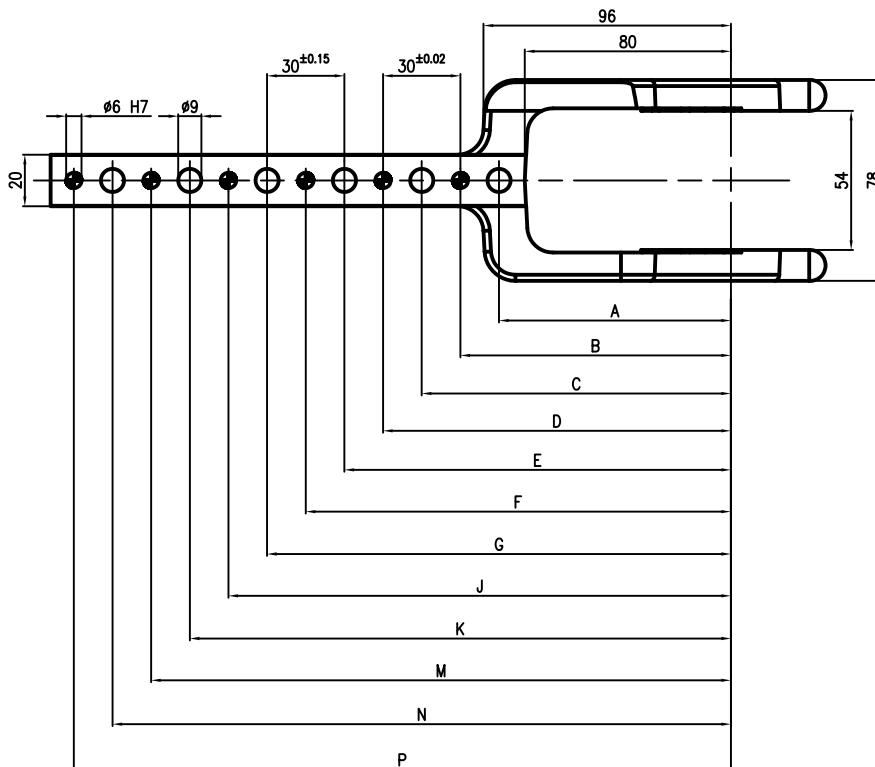
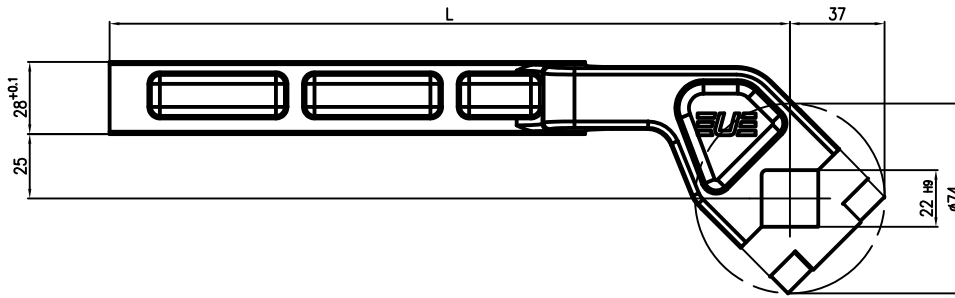


□22 mm, offset 25 mm for URP/UOP series



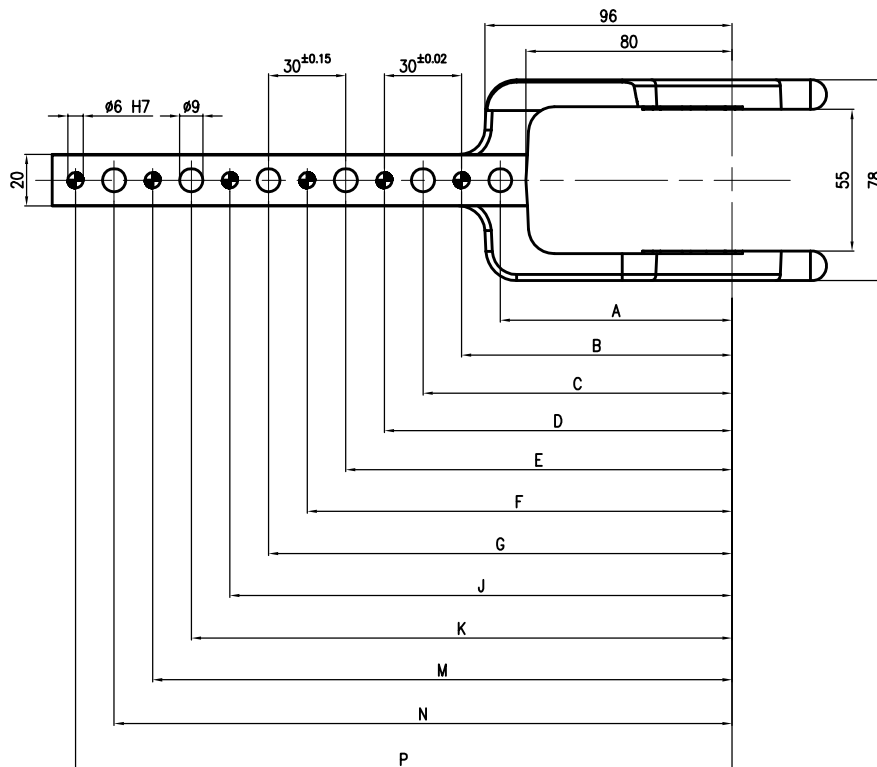
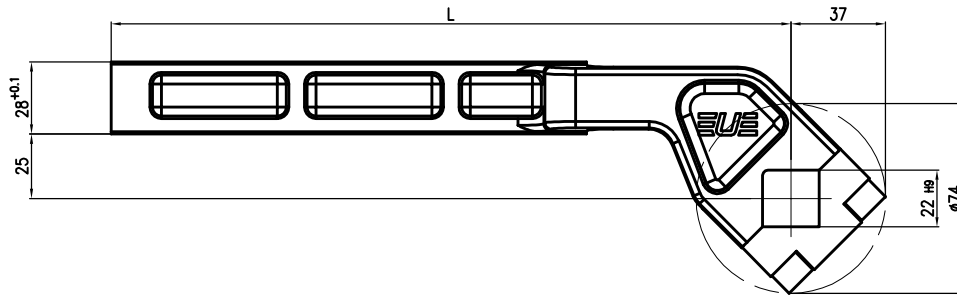
Code	A Dowel	B	C Dowel	D	E Dowel	F	G Dowel	J	K Dowel	M	N Dowel	P	Q Dowel	L	OAL REF	Weight Kg	Material
LKO22025135WN	95	110	125											135	166	0.37	Aluminium
LKO22025165WN	95	110	125	140	155									165	196	0.40	Aluminium
LKO22025195WN	95	110	125	140	155	170	185							195	226	0.43	Aluminium
LKO22025225WN	95	110	125	140	155	170	185	200	215					225	260	1.34	Steel
LKO22025255WN	95	110	125	140	155	170	185	200	215	230	245			255	290	1.42	Steel
LKO22025285WN	95	110	125	140	155	170	185	200	215	230	245	260	275	285	320	1.53	Steel

□22 mm, offset 25 mm



Code	A	B Dowel	C	D Dowel	E	F Dowel	G	J Dowel	K	M Dowel	N	P Dowel	L	OAL REF	Material
LKP22025144WG	90	105	120	135									144	174	Aluminium
LKP22025204WG	90	105	120	135	150	165	180	195					204	234	Steel
LKP22025264WG	90	105	120	135	150	165	180	195	210	225	240	255	264	301	Steel

□22 mm, offset 25 mm for URP/UOP series



Code	A	B Dowel	C	D Dowel	E	F Dowel	G	J Dowel	K	M Dowel	N	P Dowel	L	OAL REF	Material
LKP22025144WG	90	105	120	135									144	174	Aluminium
LKP22025204WG	90	105	120	135	150	165	180	195					204	234	Steel
LKP22025264WG	90	105	120	135	150	165	180	195	210	225	240	255	264	301	Steel