

# DMS100

Pneumatic power clamps  
conforming to **CNOMO** Standard



D	M	S	1	0	0	M	P	N	E	E	T	N
1		2			3		4	5	6			

<b>1 Series</b>	<b>2 Size</b>	<b>3 Mechanims</b>
-----------------	---------------	--------------------

**DMS** = Pneumatic power clamp conforming to CNOMO Standard

**100** = 100 Nm (body 50, cylinder Ø 40mm)

**MP** = pneumatic mechanism

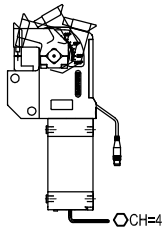
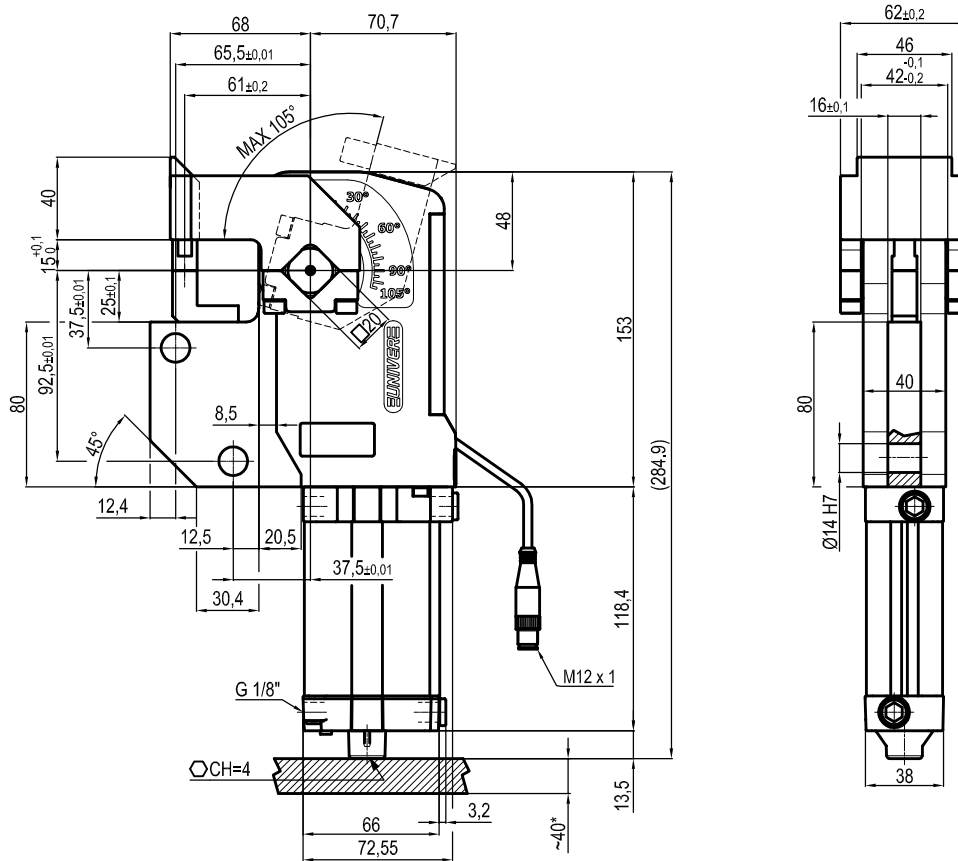
<b>4 Brake</b>	<b>5 Sensor</b>	<b>6 Arm</b>
----------------	-----------------	--------------

**N** = without brake system  
**V** = with brake system

**S** = no sensor  
**E** = **UNIVERSAL** version, with three-wire electronic sensor and stepless adjustment of the opening angle from 45° to 105°

**ETN** = standard arm  
**ETC** = short arm  
**NNN** = without arm

## UNIVERSAL Power clamp conforming to the CNOMO standard



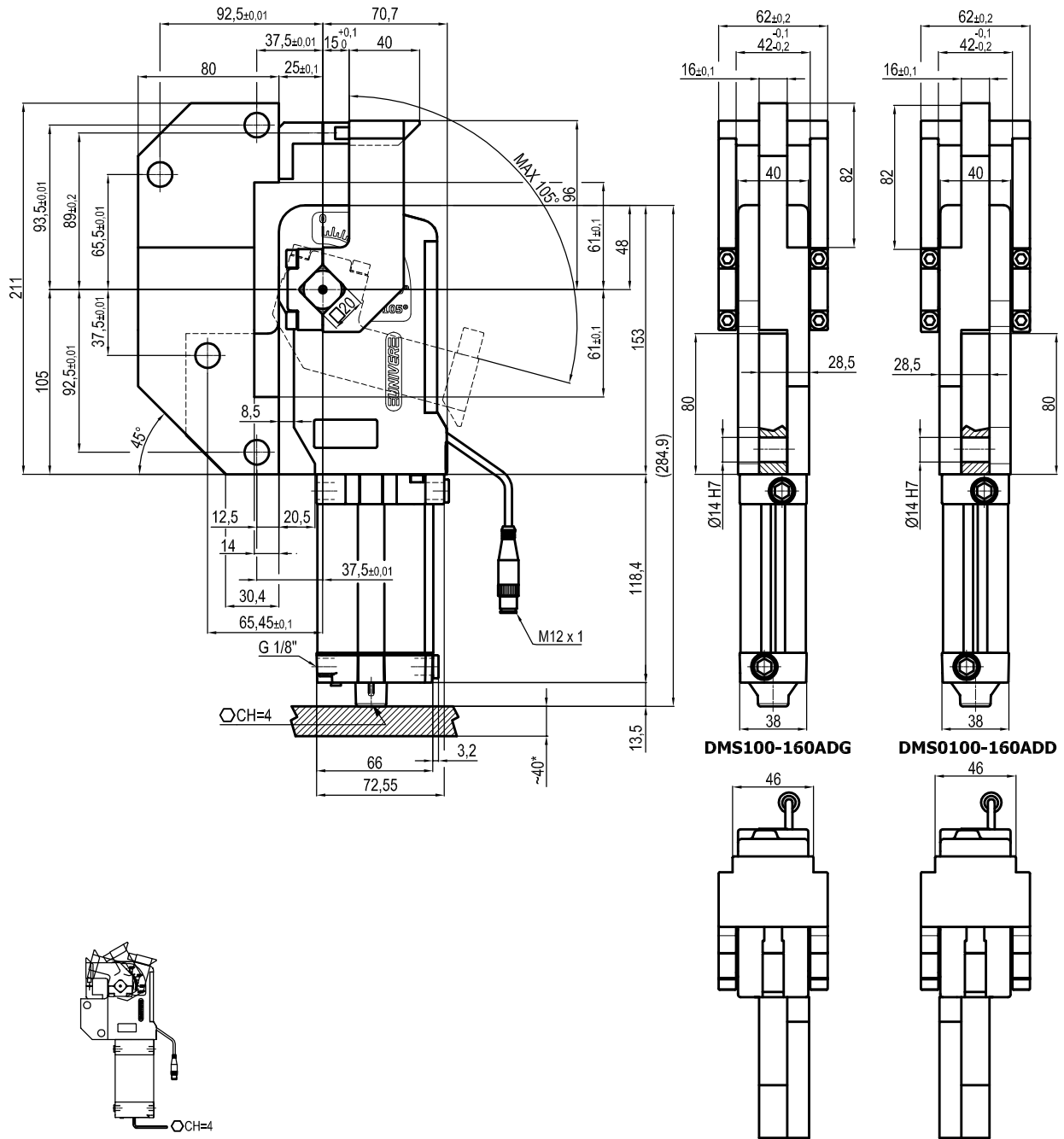
Size	Cylinder	Weight
100	40	2.4 Kg.

Min./Max. operating pressure: **0,4 / 0,6 MPa**  
 Operating temperature: **5° + 45° C**  
 Opening angle: **adjustable from 25° to 105°**  
 Electronic sensor with M12  
 Supply voltage: 10+30 Vdc  
 IP code: **IP 65**  
 Pneumatic ports on both sides

\* : AREA TO ACCES ANGLE ADJUSTMENT

Subject to technical modifications without notice

## UNIVERSAL Power clamp conforming to the CNOMO standard



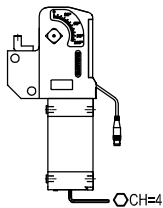
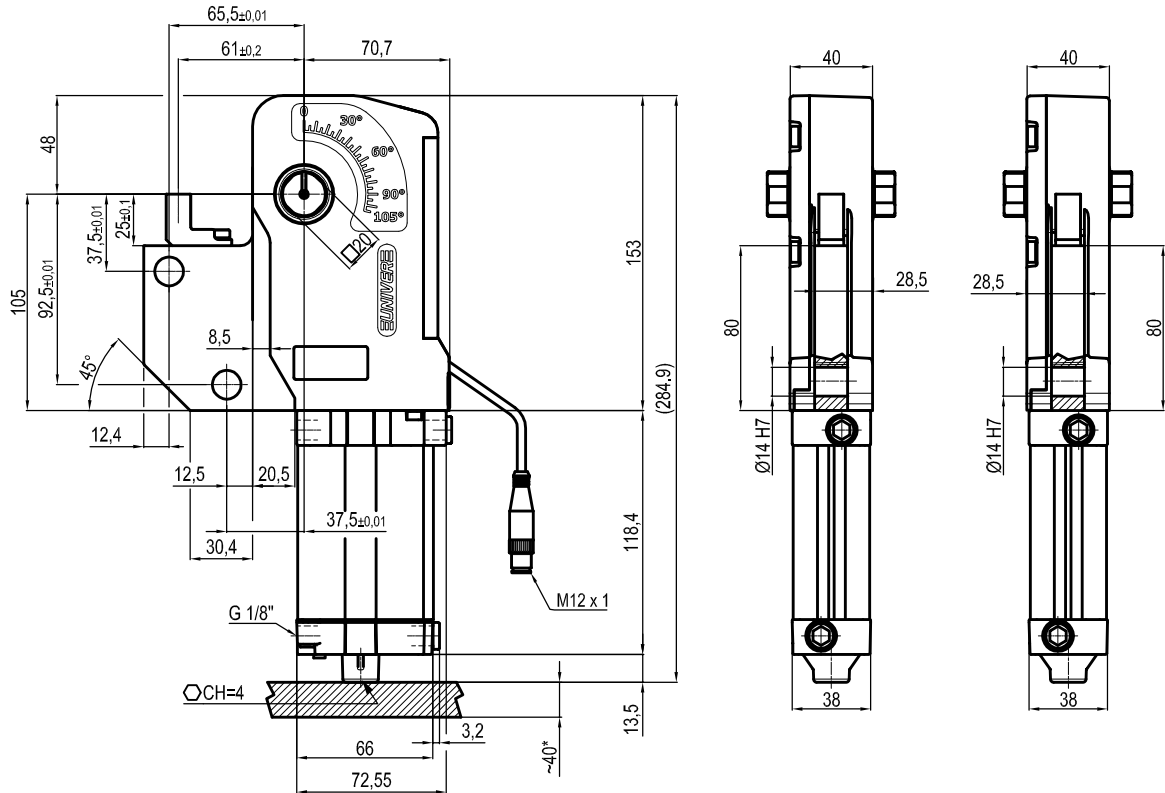
Size	Cylinder	Weight
100	40	3.2 Kg.

Min./Max. operating pressure: 0,4 / 0,6 MPa  
 Operating temperature: 5° + 45° C  
 Opening angle: **adjustable from 25° to 105°**  
 Electronic sensor with M12  
 Supply voltage: 10-30 Vdc  
 IP code: **IP 65**  
 Pneumatic ports on both sides

\* : AREA TO ACCES ANGLE ADJUSTMENT

Subject to technical modifications without notice

## UNIVERSAL Power clamp conforming to the CNOMO standard



Size	Cylinder	Weight
100	40	2.4 Kg.

Min./Max. operating pressure: **0,4 / 0,6 MPa**  
 Operating temperature: **5° + 45° C**  
 Opening angle: **adjustable from 25° to 105°**  
 Electronic sensor with M12  
 Supply voltage: 10-30 Vdc  
 IP code: **IP 65**  
 Pneumatic ports on both sides

\* : AREA TO ACCES ANGLE ADJUSTMENT

Subject to technical modifications without notice