

LSP50U

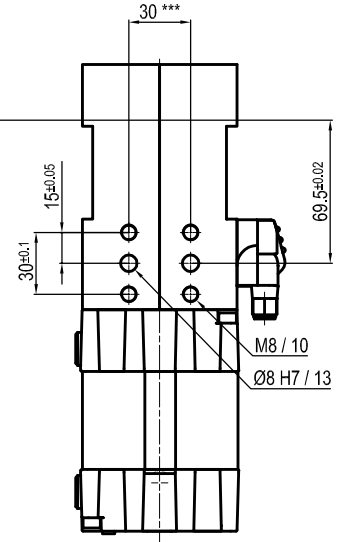
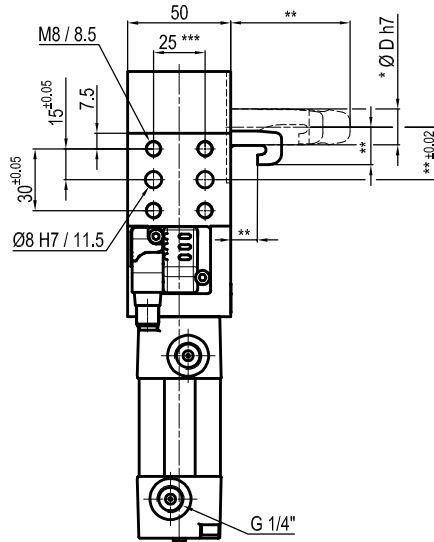
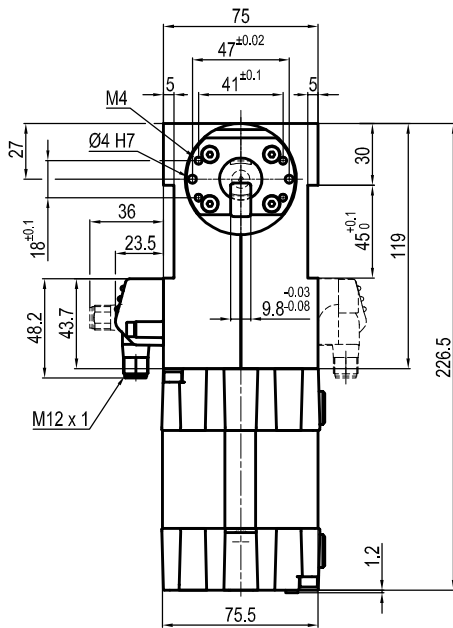
Pneumatic pin clamp



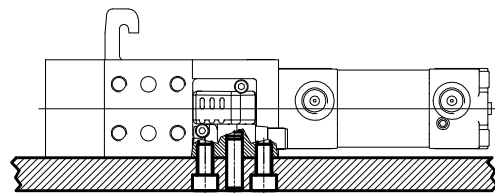
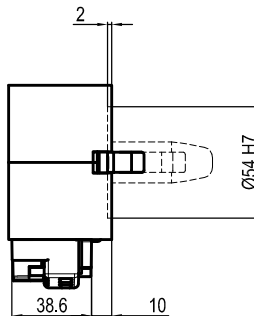
L	S	P	5	0	U	U	3	1	0	0	0	0
1	2	3	4	5	6	7	8	9				

1 Series LS = Pin clamp	2 Version P = Pneumatic-standard	3 Size 50 = Ø 50 mm
4 Model U = Horizontal shape	5 Sensor U = Electronic sensor with M12 swivel connector N = No sensor (with protection plate)	6 Pin diameter 1 <= Ø 19 mm 2 = Ø 20 mm 3 = Ø 25 mm 4 = Ø 30 mm 5 = Ø 35 mm 6 = Ø 40 mm
7 Locating pin 0 = Locating pin non included 1 = Locating pin included	8 Working height 0 = Standard, others upon request	9 Progressive numbering Progressive numbers for special products are assigned by the Sales Dept.

UNIVERSAL Pneumatic pin clamp



*	ØD
1	≤19
2	20
3	25
4	30
5	35
6	40



** : Missing dimension to be defined according to customer specifications

Bore Ø	Clamping force	Weight
50 mm	400 Kg	2.2 Kg

Min./Max. operating pressure: **0,4 / 0,6 MPa**

Operating temperature: **5° + 45° C**

Electronic sensor with M12 swivel connector that can be orientated at 0° or 90°

Supply voltage: 10+30 Vdc

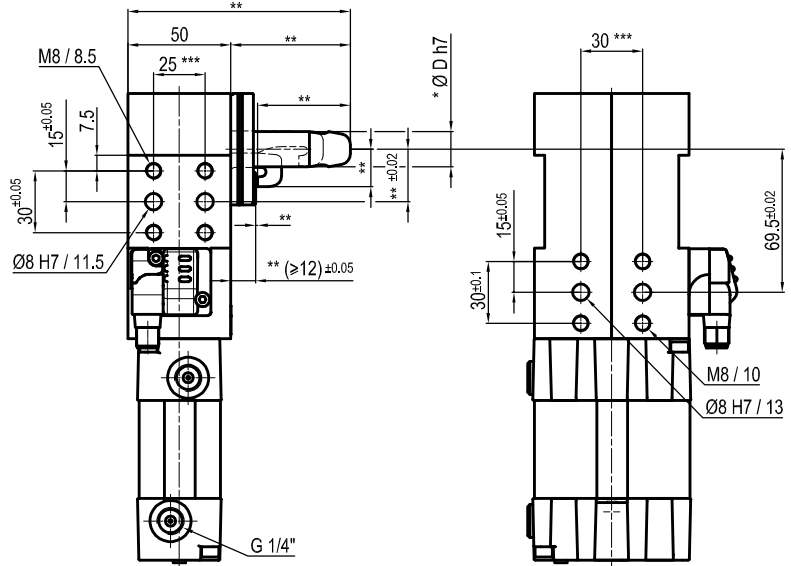
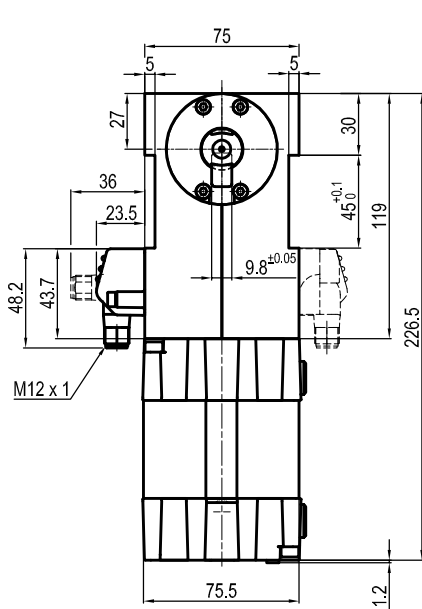
IP code: **IP 54**

Pneumatic ports on both sides

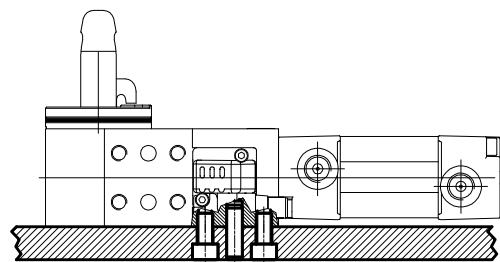
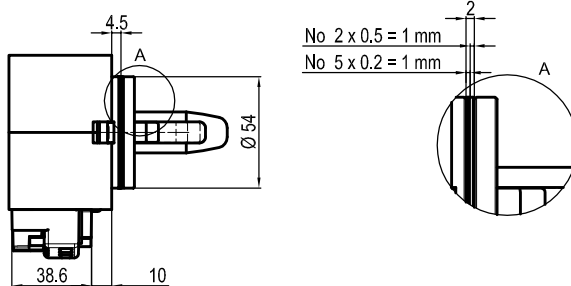
*** : TOLERANCE BETWEEN DOWEL HOLES ± 0.02, TO SCREW HOLES ± 0.1
THE SENSOR CAN BE MOUNTED ON EITHER RIGHT OR LEFT SIDE

subject to technical modifications without notice

UNIVERSAL Pneumatic pin clamp



*	∅D
1	≤19
2	20
3	25
4	30
5	35
6	40



****:** Missing dimension to be defined according to customer specifications

Bore ∅	Clamping force	Weight
50 mm	400 Kg	2.2 Kg

Min./Max. operating pressure: **0,4 / 0,6 MPa**
 Operating temperature: **5° + 45° C**
 Electronic sensor with M12 swivel connector that can be orientated at 0° or 90°
 Supply voltage: 10+30 Vdc
 IP code: **IP 54**
 Pneumatic ports on both sides

*** : TOLERANCE BETWEEN DOWEL HOLES ± 0.02, TO SCREW HOLES ± 0.1
 THE SENSOR CAN BE MOUNTED ON EITHER RIGHT OR LEFT SIDE

subject to technical modifications without notice