

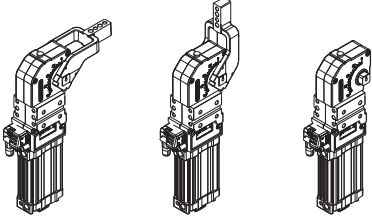
UBP63

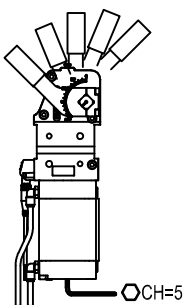
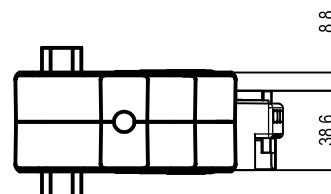
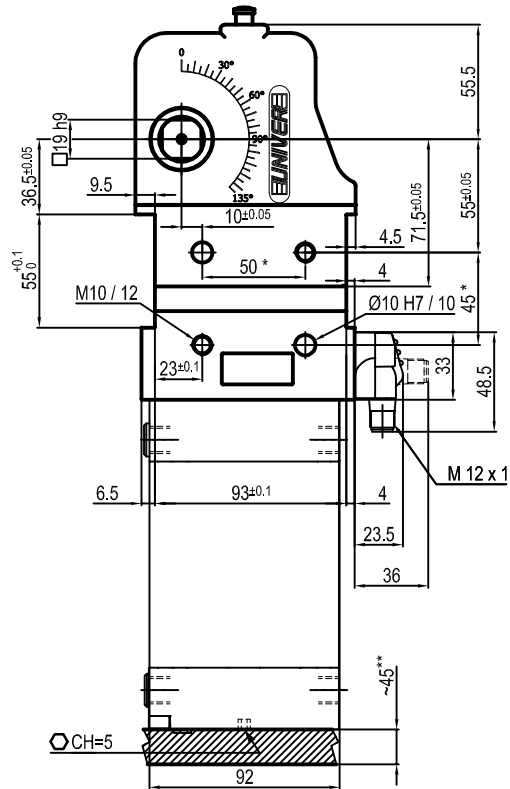
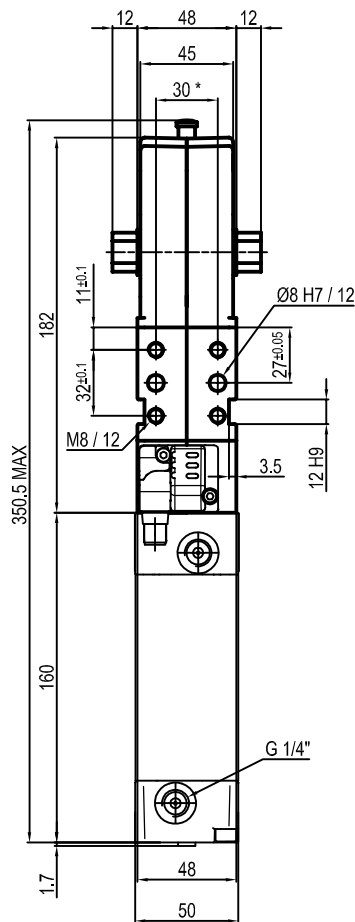
Unità di bloccaggio UNIVERSAL



U	B	P	6	3	N	N	E
1	2	3	4	5	6		

1 Serie UB = Unità di bloccaggio UNIVERSAL con regolazione continua angolo d'apertura da: 0° a 135° Max L'angolo di apertura può variare a seconda della posizione e della tipologia del pressore	2 Versione P = Pneumatica standard	3 Taglia 63 = Ø 63 mm
---	---	--

4 Posizione pressore V = 90° O = 180° N = Senza pressore 	5 Tipo di pressore C = Centrale, 15 mm offset D = Destro, 15 mm offset S = Sinistro, 15 mm offset E = Centrale, 45 mm offset F = Destro, 45 mm offset L = Sinistro, 45 mm offset N = Senza pressore X = Centrale con fori maggiorati Ø 8 H7, 15 mm offset Y = Destro con fori maggiorati Ø 7, 15 mm offset Z = Sinistro con fori maggiorati Ø 8 H7, 15 mm offset T = Centrale con fori maggiorati Ø 8 H7, 45 mm offset U = Destro con fori maggiorati Ø 8 H7, 45 mm offset V = Sinistro con fori maggiorati Ø 8 H7, 45 mm offset	6 Sensore di posizione N = Senza sensore (con piastra di chiusura) E = Sensore elettronico con connettore M12 orientabile D = Sensore pneumatico
--	---	---



Bore Ø	Holding moment	Clamping moment	Weight (Clamping arm not included)
63 mm	1750 Nm	420 Nm	3 Kg

Min./Max. operating pressure: **0,4 / 0,6 MPa**

Operating temperature: **5° + 45° C**

Opening angle: **adjustable**

Without arm

Electronic sensor with M12 swivel connector that can be orientated at 0° or 90°

Supply voltage: 10±30 Vdc

IP code: **IP 65**

Pneumatic ports on both sides

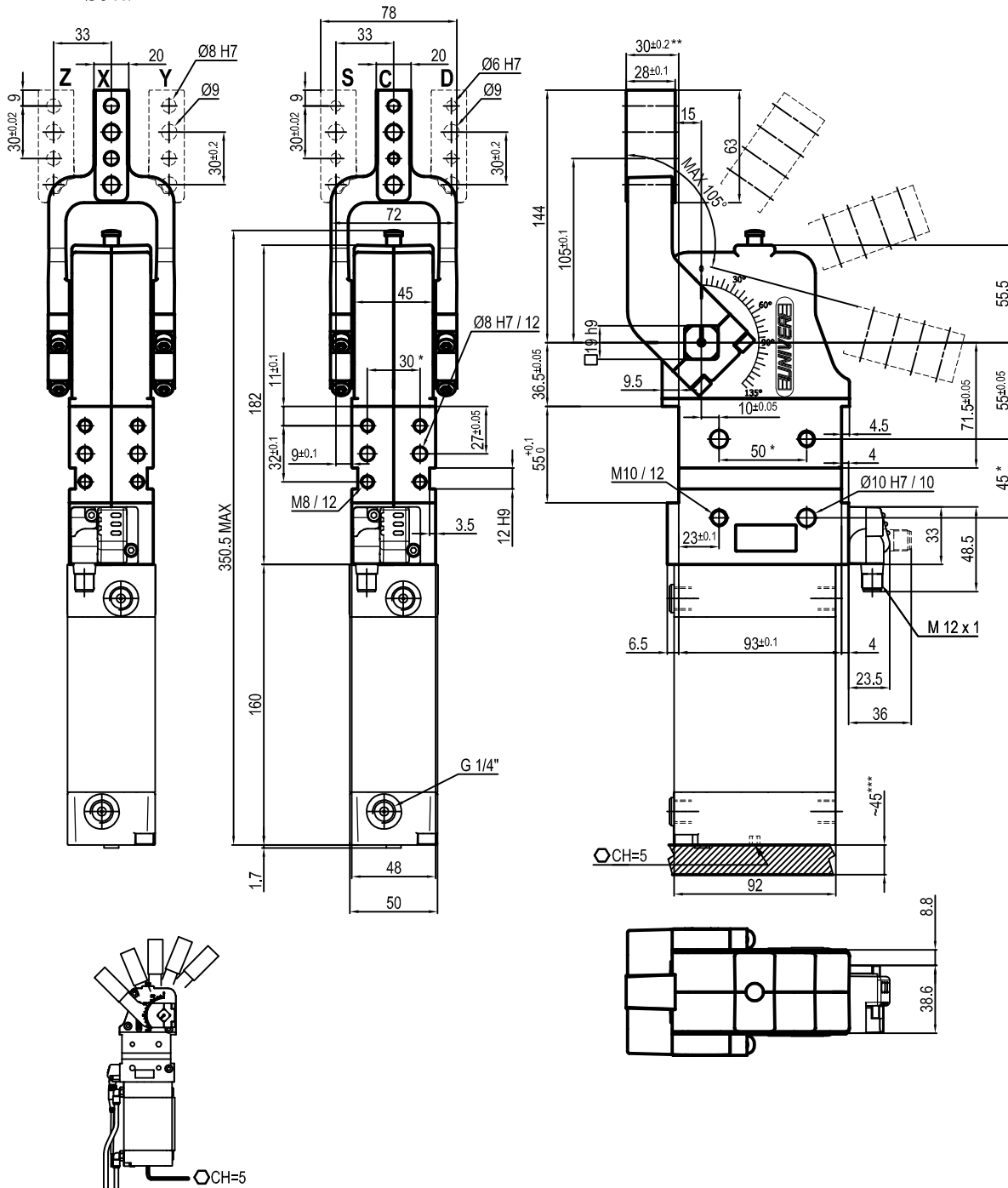
* : TOLERANCE BETWEEN DOWELS ± 0.02, TO SCREW HOLES ± 0.1

** : AREA TO ACCES ANGLE ADJUSTMENT

Subject to technical modifications without notice

UNIVERSAL Pneumatic clamp

Oversize dowel holes
Ø8 H7



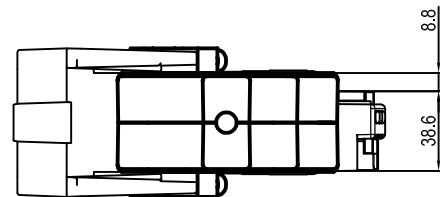
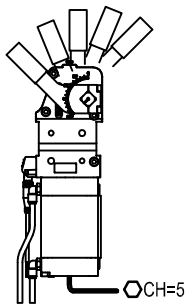
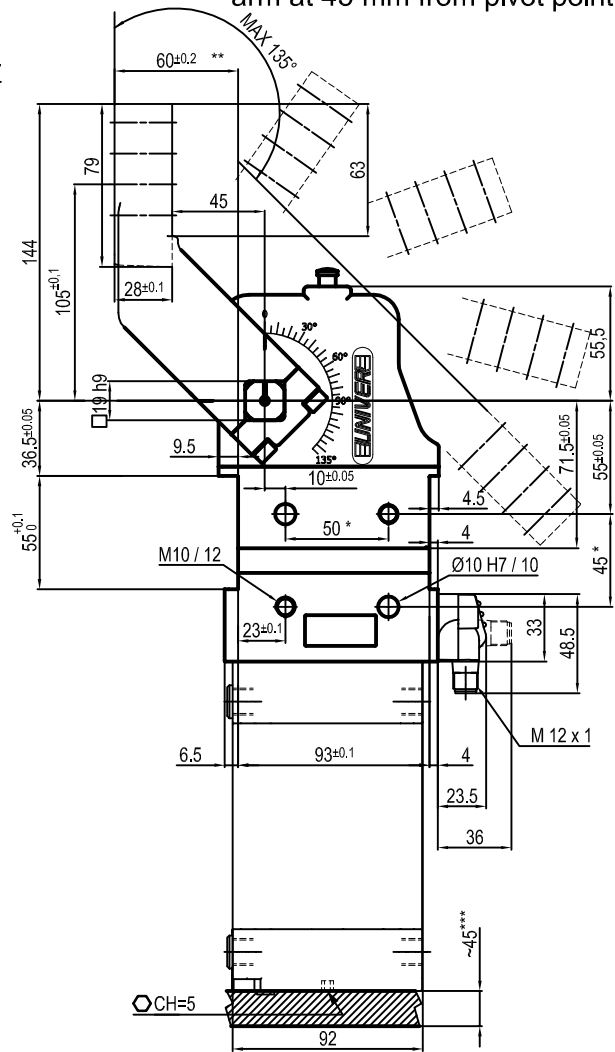
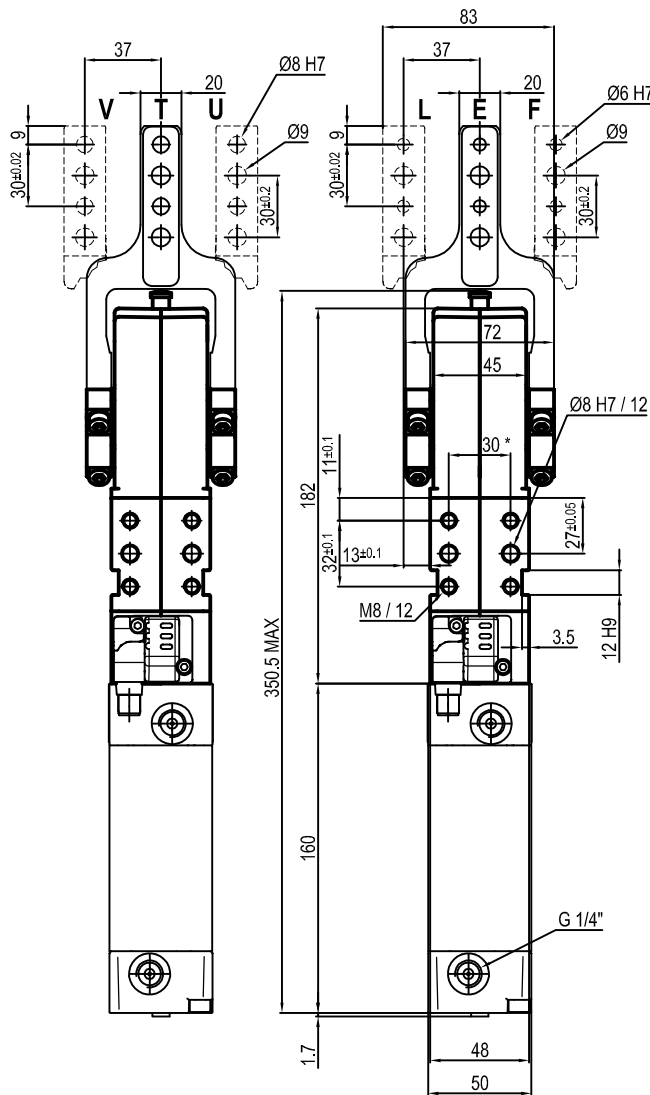
Bore Ø	Holding moment	Clamping moment	Weight (Clamping arm not included)
63 mm	1750 Nm	420 Nm	3 Kg

Min./Max. operating pressure: **0,4 / 0,6 MPa**
 Operating temperature: **5° + 45° C**
 Opening angle: **adjustable from 0° to 105°**
 Horizontal arm mount position
 Electronic sensor with M12 swivel connector that can be orientated at 0° or 90°
 Supply voltage: 10÷30 Vdc
 IP code: **IP 65**
 Pneumatic ports on both sides

* : TOLERANCE BETWEEN DOWELS ± 0.02, TO SCREW HOLES ± 0.1
 ** : TOLERANCE AT 80 mm FROM PIVOT POINT
 *** : AREA TO ACCES ANGLE ADJUSTMENT

Subject to technical modifications without notice

UNIVERSAL Pneumatic clamp arm at 45 mm from pivot point



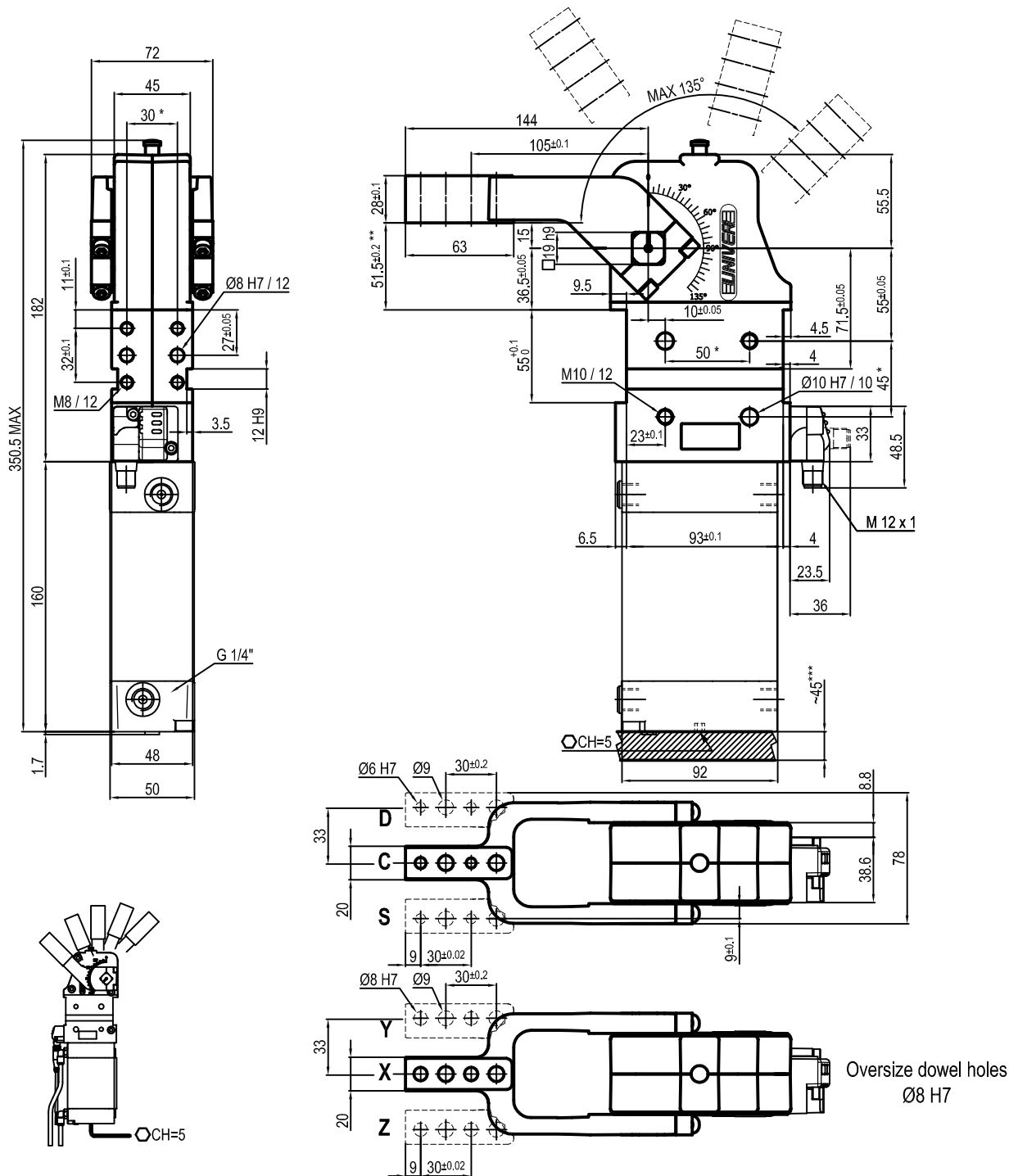
Bore Ø	Holding moment	Clamping moment	Weight (Clamping arm not included)
63 mm	1750 Nm	420 Nm	3 Kg

Min./Max. operating pressure: **0,4 / 0,6 MPa**
 Operating temperature: **5° + 45° C**
 Opening angle: **adjustable from 0° to 135°**
 Horizontal arm mount position
 Electronic sensor with M12 swivel connector that can be orientated at 0° or 90°
 Supply voltage: 10÷30 Vdc
 IP code: **IP 65**
 Pneumatic ports on both sides

* : TOLERANCE BETWEEN DOWELS ± 0.02, TO SCREW HOLES ± 0.1
 ** : TOLERANCE AT 80 mm FROM PIVOT POINT
 *** : AREA TO ACCES ANGLE ADJUSTMENT

Subject to technical modifications without notice

UNIVERSAL Pneumatic clamp



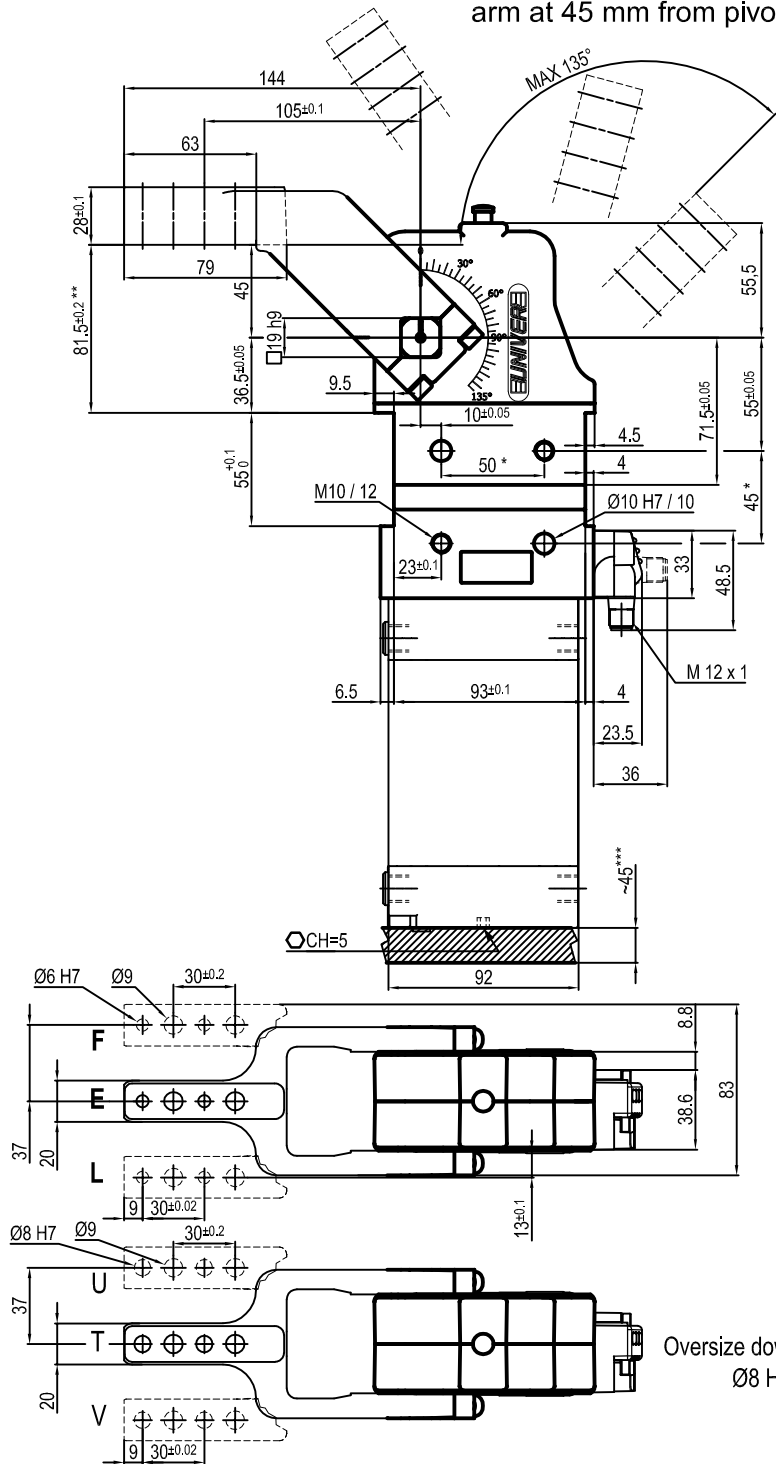
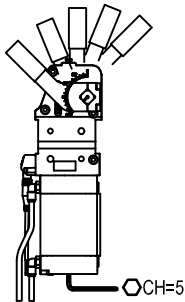
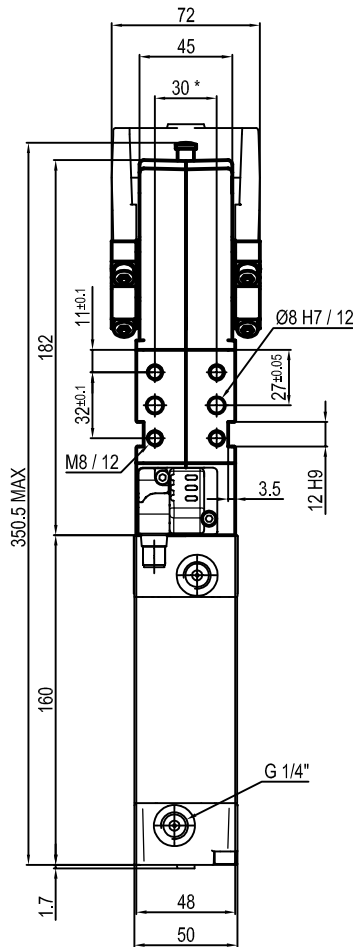
Bore Ø	Holding moment	Clamping moment	Weight (Clamping arm not included)
63 mm	1750 Nm	420 Nm	3 Kg

Min./Max. operating pressure: **0,4 / 0,6 MPa**
 Operating temperature: **5° + 45° C**
 Opening angle: **adjustable from 0° to 135°**
 Vertical arm mount position
 Electronic sensor with M12 swivel connector that can be orientated at 0° or 90°
 Supply voltage: 10÷30 Vdc
 IP code: **IP 65**
 Pneumatic ports on both sides

* : TOLERANCE BETWEEN DOWELS ± 0.02, TO SCREW HOLES ± 0.1
 ** : TOLERANCE AT 80 mm FROM PIVOT POINT
 *** : AREA TO ACCES ANGLE ADJUSTMENT

Subject to technical modifications without notice

UNIVERSAL Pneumatic clamp arm at 45 mm from pivot point



Over-size dowel holes
Ø8 H7

Bore Ø	Holding moment	Clamping moment	Weight (Clamping arm not included)
63 mm	1750 Nm	420 Nm	3 Kg

Min./Max. operating pressure: **0,4 / 0,6 MPa**
 Operating temperature: **5° + 45° C**
 Opening angle: **adjustable from 0° to 135°**
 Vertical arm mount position
 Electronic sensor with M12 swivel connector that can be orientated at 0° or 90°
 Supply voltage: 10÷30 Vdc
 IP code: **IP 65**
 Pneumatic ports on both sides

* : TOLERANCE BETWEEN DOWELS ± 0.02, TO SCREW HOLES ± 0.1
 ** : TOLERANCE AT 80 mm FROM PIVOT POINT
 *** : AREA TO ACCESS ANGLE ADJUSTMENT

Subject to technical modifications without notice