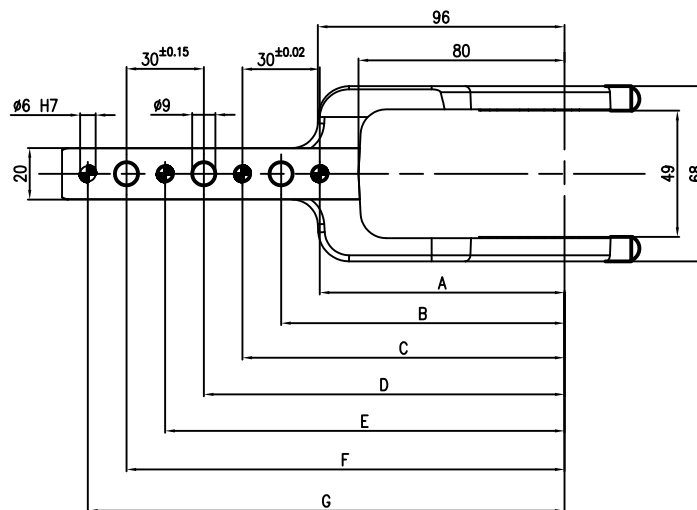
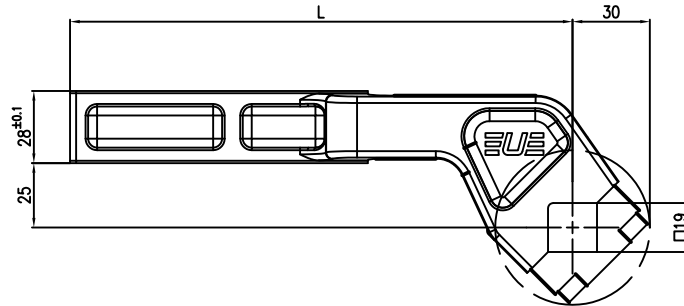
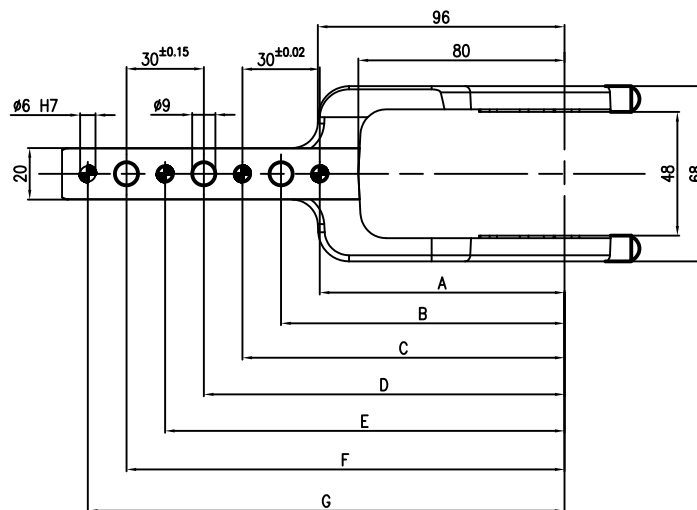
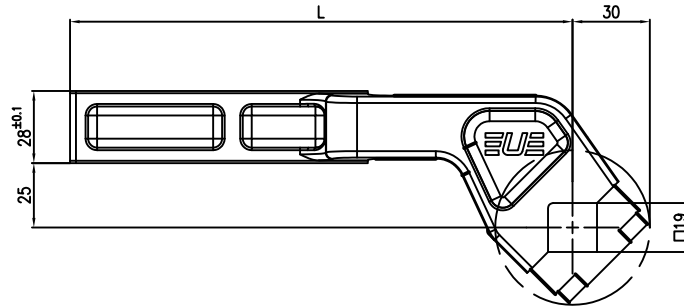


□19 mm, offset 25 mm for URP/UOP series



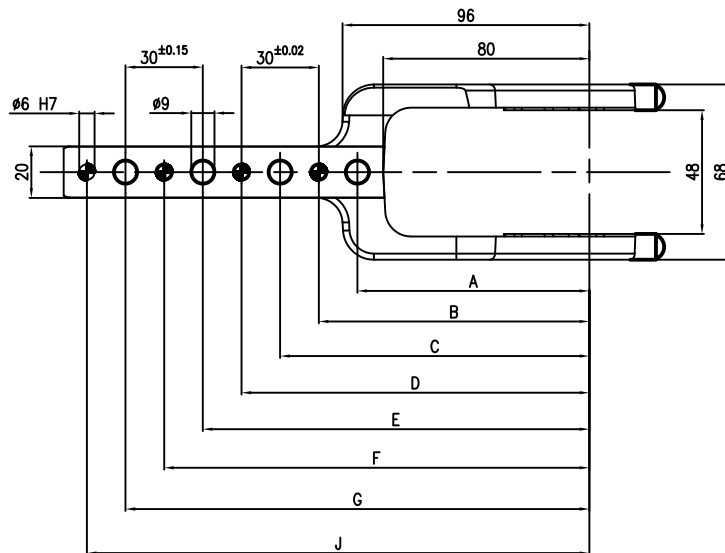
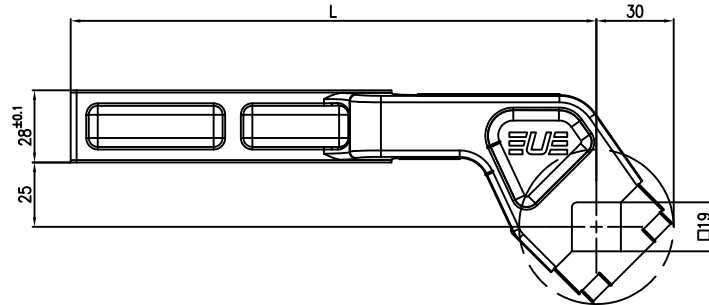
Code	A Dowel	B	C Dowel	D	E Dowel	F	G Dowel	L	OAL REF	Weight Kg	Material
LK019025135WN	95	110	125					135	166	0.30	Aluminium
LK019025165WN	95	110	125	140	155			165	196	0.34	Aluminium
LK019025195WN	95	110	125	140	155	170	185	195	226	0.37	Aluminium

□19 mm, offset 25 mm



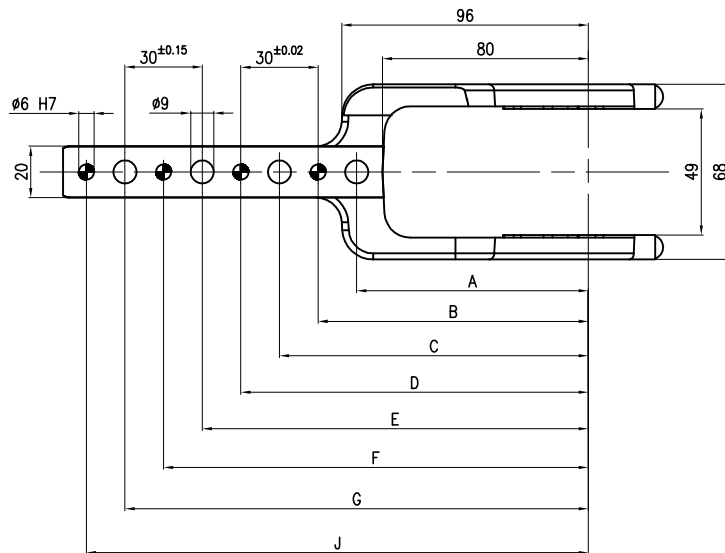
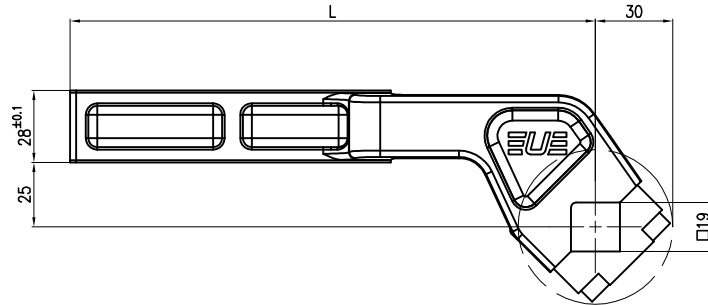
Code	A Dowel	B	C Dowel	D	E Dowel	F	G Dowel	L	OAL REF	Weight Kg	Material
LKP19025135WN	95	110	125					135	166	0.30	Aluminium
LKP19025165WN	95	110	125	140	155			165	196	0.34	Aluminium
LKP19025195WN	95	110	125	140	155	170	185	195	226	0.37	Aluminium

□19 mm, offset 25 mm



Code	A	B Dowel	C	D Dowel	E	F Dowel	G	J	L	OAL REF	Material
LKP19025144WG	90	105	120	135					144	174	Aluminium
LKP19025204WG	90	105	120	135	150	165	180	195	204	234	Steel

□19 mm, offset 25 mm for URP/UOP series



Code	A	B Dowel	C	D Dowel	E	F Dowel	G	J	L	OAL REF	Material
LK019025144WG	90	105	120	135					144	174	Aluminium
LK019025204WG	90	105	120	135	150	165	180	195	204	234	Steel