

LSP60

Pneumatic pin clamp



| | | | | | | | | | | | | |
|---|---|---|---|---|---|---|---|---|---|---|---|---|
| L | S | P | 6 | 0 | J | U | 3 | 0 | 0 | 0 | 0 | 0 |
| 1 | 2 | 3 | | | 4 | 5 | 6 | 7 | 8 | | | |

| | | |
|-----------------|------------------|---------------|
| 1 Series | 2 Version | 3 Size |
|-----------------|------------------|---------------|

LS = Pin clamp

P = Pneumatic-standard

60 = Ø 50 mm

| | | |
|----------------|-----------------|-----------------------|
| 4 Model | 5 Sensor | 6 Pin diameter |
|----------------|-----------------|-----------------------|

J = With compensation

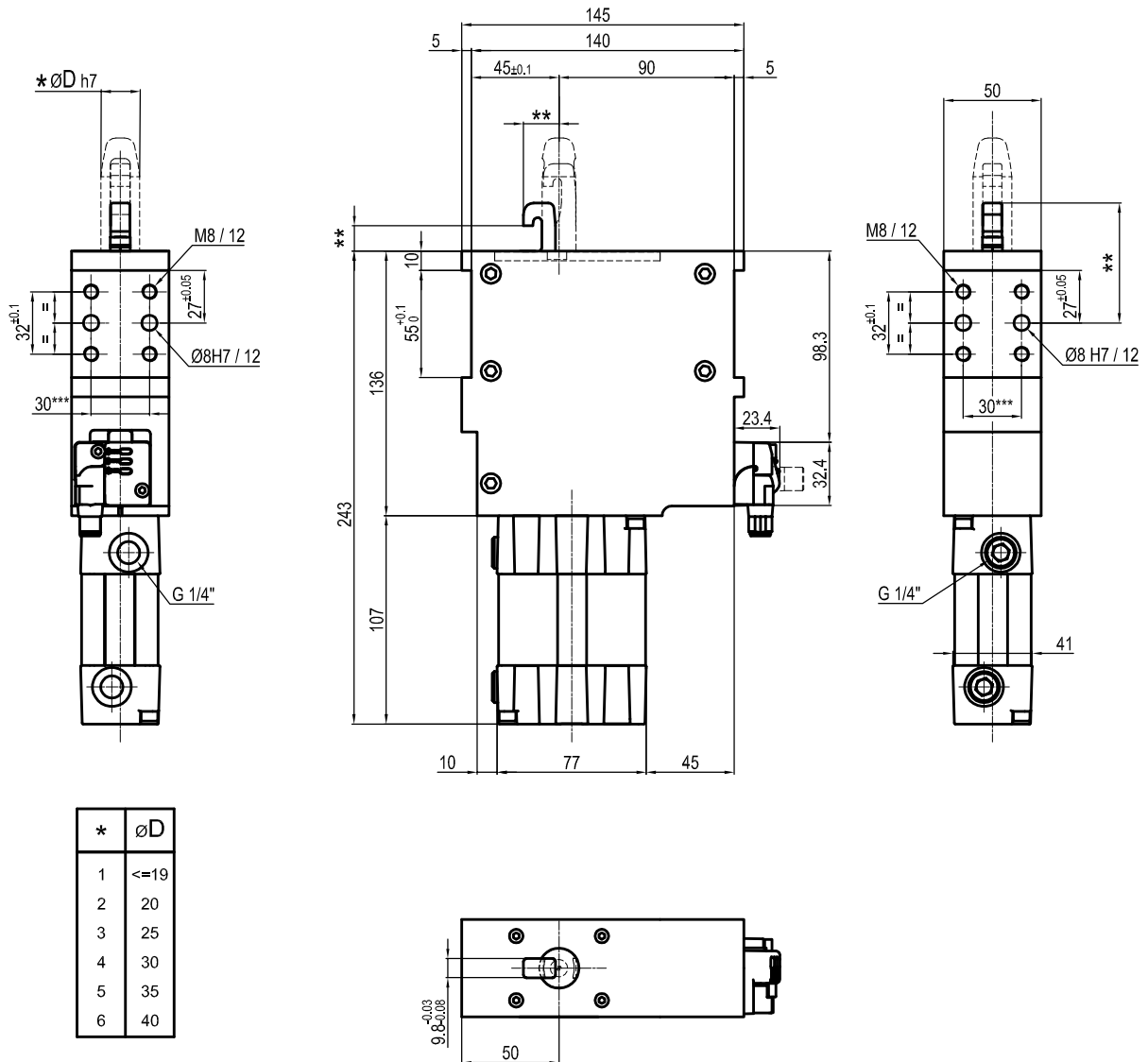
U = Electronic sensor with
M12 swivel connector
N = No sensor
(with protection plate)

1 <= Ø 19 mm
2 = Ø 20 mm
3 = Ø 25 mm
4 = Ø 30 mm
5 = Ø 35 mm
6 = Ø 40 mm

| | |
|-----------------------|--------------------------------|
| 7 Locating pin | 8 Progressive numbering |
|-----------------------|--------------------------------|

0 = Locating pin not included
1 = Locating pin included

Progressive numbers for special products are assigned by the Sales Dept.



** : Missing dimension to be defined according to customer specifications

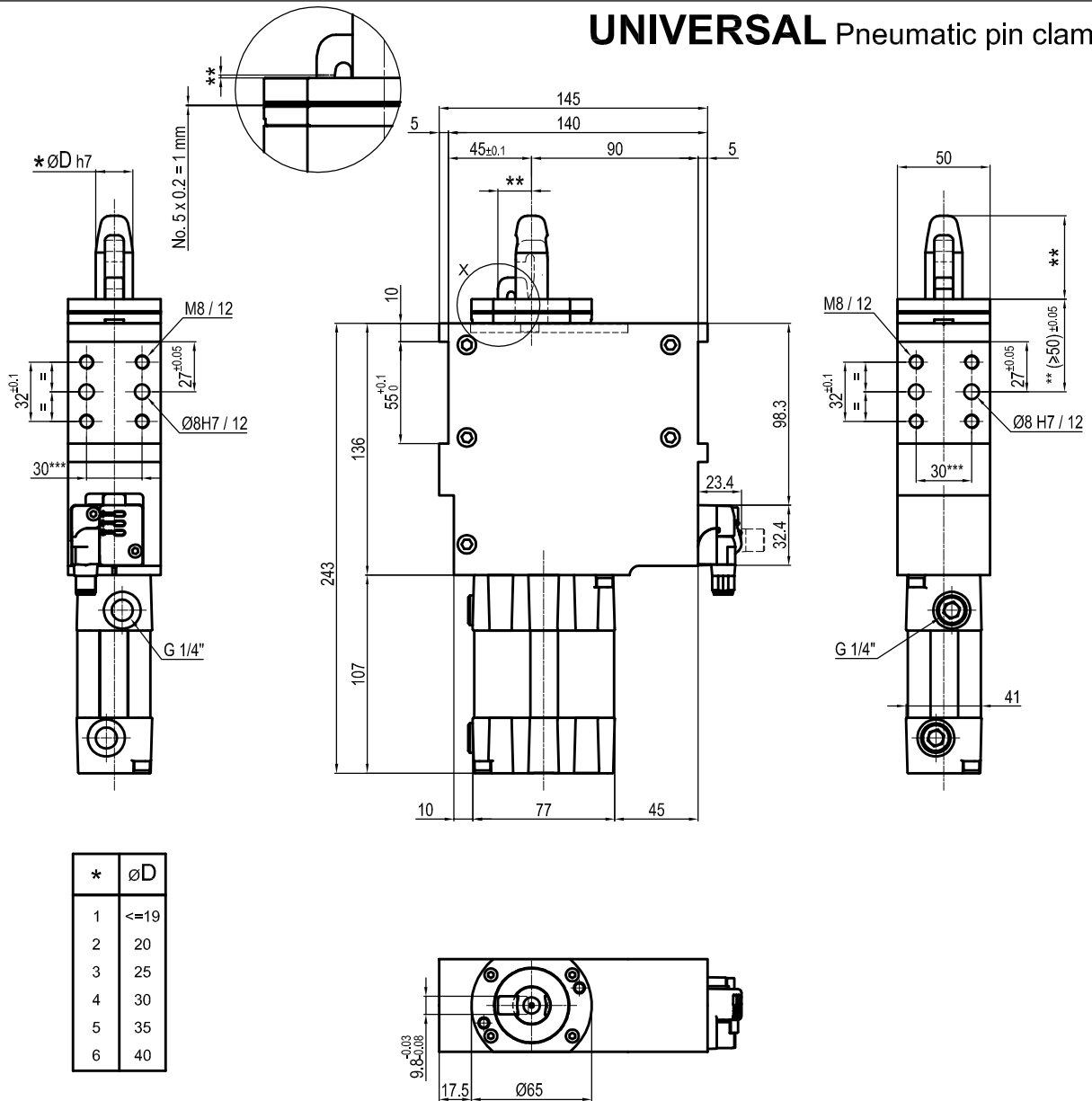
| Bore Ø | Clamping force | Weight (hook and pin not included) |
|--------|----------------|------------------------------------|
| 50 mm | 3500 N | 3.2 Kg |

Min./Max. operating pressure: **0,4 / 0,6 MPa**
 Operating temperature: **5° + 45° C**
 Electronic sensor with M12 swivel connector that can be orientated at 0° or 90°
 Supply voltage: 10+30 Vdc
 IP code: **IP 54**
 Pneumatic ports on both sides

*** : TOLERANCE BETWEEN DOWEL HOLES ± 0.02, TO SCREW HOLES ± 0.1

Subject to technical modification without notice.

UNIVERSAL Pneumatic pin clamp



** : Missing dimension to be defined according to customer specifications

| Bore Ø | Clamping force | Weight (hook and pin not included) |
|--------|----------------|------------------------------------|
| 50 mm | 3500 N | 3.2 Kg |

Min./Max. operating pressure: **0,4 / 0,6 MPa**
 Operating temperature: **5° + 45° C**
 Electronic sensor with M12 swivel connector that can be orientated at 0° or 90°
 Supply voltage: 10+30 Vdc
 IP code: **IP 54**
 Pneumatic ports on both sides

*** : TOLERANCE BETWEEN DOWEL HOLES ± 0.02, TO SCREW HOLES ± 0.1

Subject to technical modification without notice.