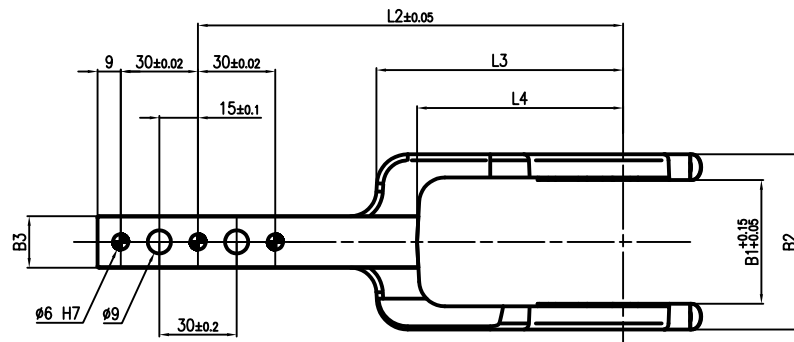
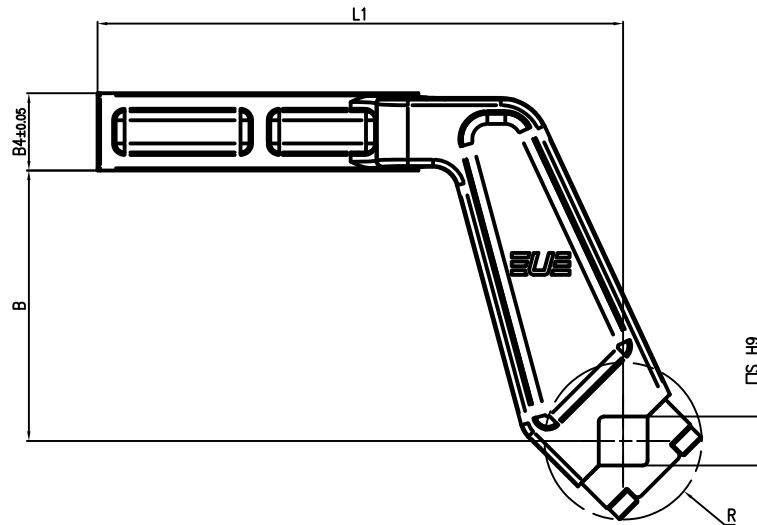


□19 mm, offset 105 mm



LKP-Code	B	B1	B2	B3	B4	L1	L2	L3	L4	R	S	Material
LKP010-2327	105	48	68	20	30	144	105	95	80	31	19	Steel
LKP010-2328	105	48	68	20	30	204	165	95	80	31	19	Steel