

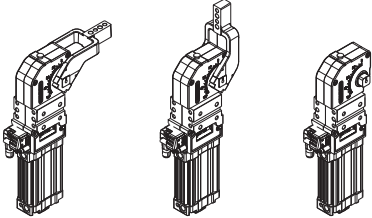
UBQ40

Unità di bloccaggio UNIVERSAL

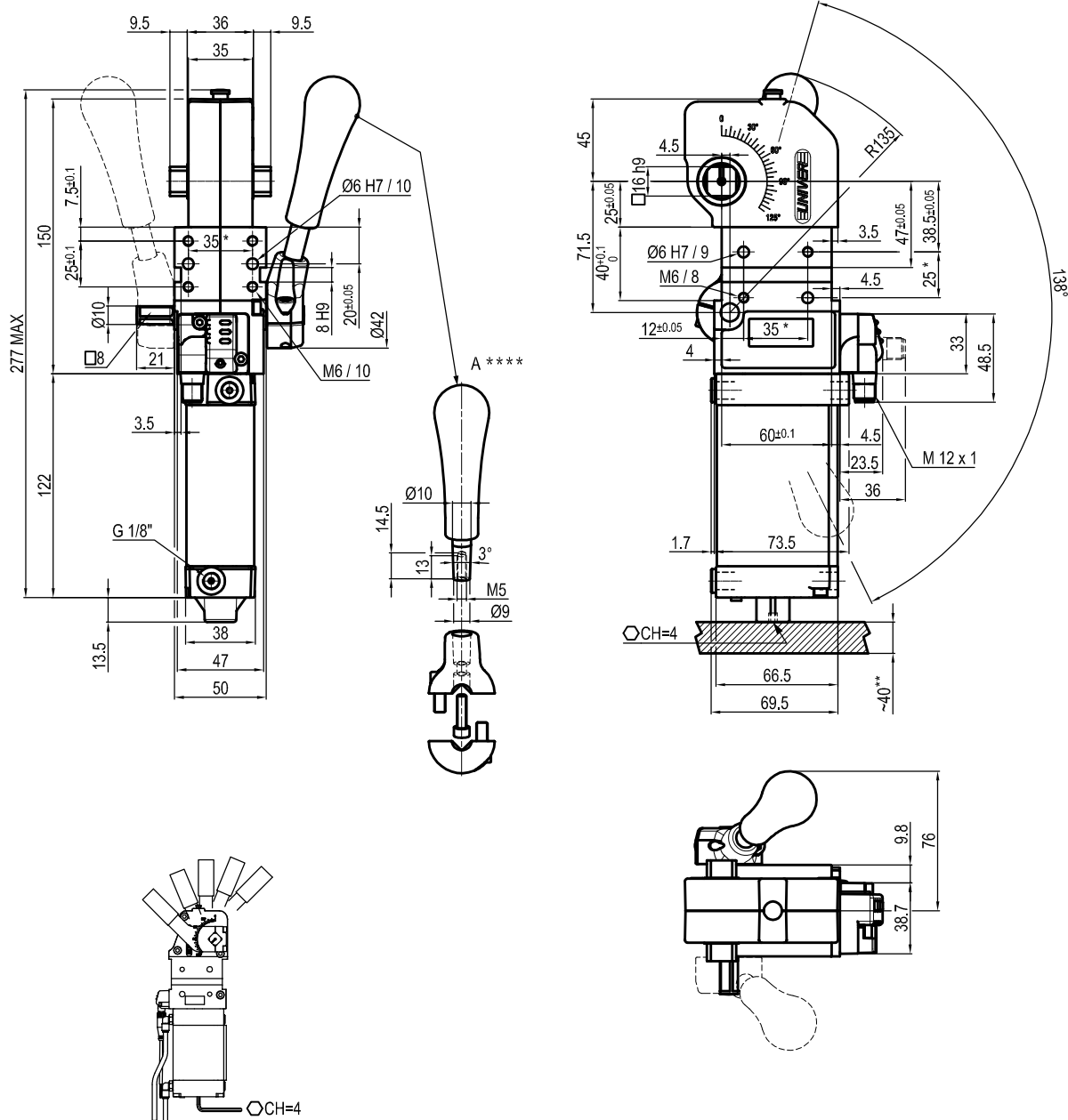


| | | | | | | | |
|---|---|---|---|---|---|---|---|
| U | B | Q | 4 | 0 | N | N | E |
| 1 | 2 | 3 | 4 | 5 | 6 | | |

| 1 Serie | 2 Versione | 3 Taglia |
|--|---|----------------------------|
| <p>UB = Unità di bloccaggio UNIVERSAL con regolazione continua angolo d'apertura da: 0° a 135° Max</p> <p>L'angolo di apertura può variare a seconda della posizione e della tipologia del pressore</p> | <p>Q = Pneumatica con leva manuale</p> | <p>40 = Ø 40 mm</p> |

| 4 Posizione pressore | 5 Tipo di pressore | 6 Sensore di posizione |
|---|---|---|
| <p>V = 90° O = 180° N = Senza pressore</p>  | <p>C = Centrale, 15 mm offset (standard) D = Destro, 15 mm offset (standard) S = Sinistro, 15 mm offset (standard) E = Centrale, 45 mm offset F = Destro, 45 mm offset L = Sinistro, 45 mm offset N = Senza pressore X = Centrale con fori maggiorati Ø 8 H7, 15 mm offset Y = Destro con fori maggiorati Ø 8 H7, 15 mm offset Z = Sinistro con fori maggiorati Ø 8 H7, 15 mm offset</p> | <p>N = Senza sensore (con piastra di chiusura) E = Sensore elettronico con connettore M12 orientabile D = Sensore pneumatico</p> |

UNIVERSAL Pneumatic clamp with manual lever



| Bore Ø | Holding moment | Clamping moment (0.5 MPa) | Weight (Clamping arm not included) |
|--------|----------------|---------------------------|------------------------------------|
| 40 mm | 600 Nm | 170 Nm | 1.8 Kg |

Min./Max. operating pressure: **0,4 / 0,6 MPa**

Operating temperature: **5° + 45° C**

Opening angle: **adjustable**

Without arm

With manual lever

Electronic sensor with M12 swivel connector that can be orientated at 0° or 90°

Supply voltage: 10+30 Vdc

IP code: **IP 65**

Pneumatic ports on both sides

* : TOLERANCE BETWEEN DOWELS ± 0.02, TO SCREW HOLES ± 0.1

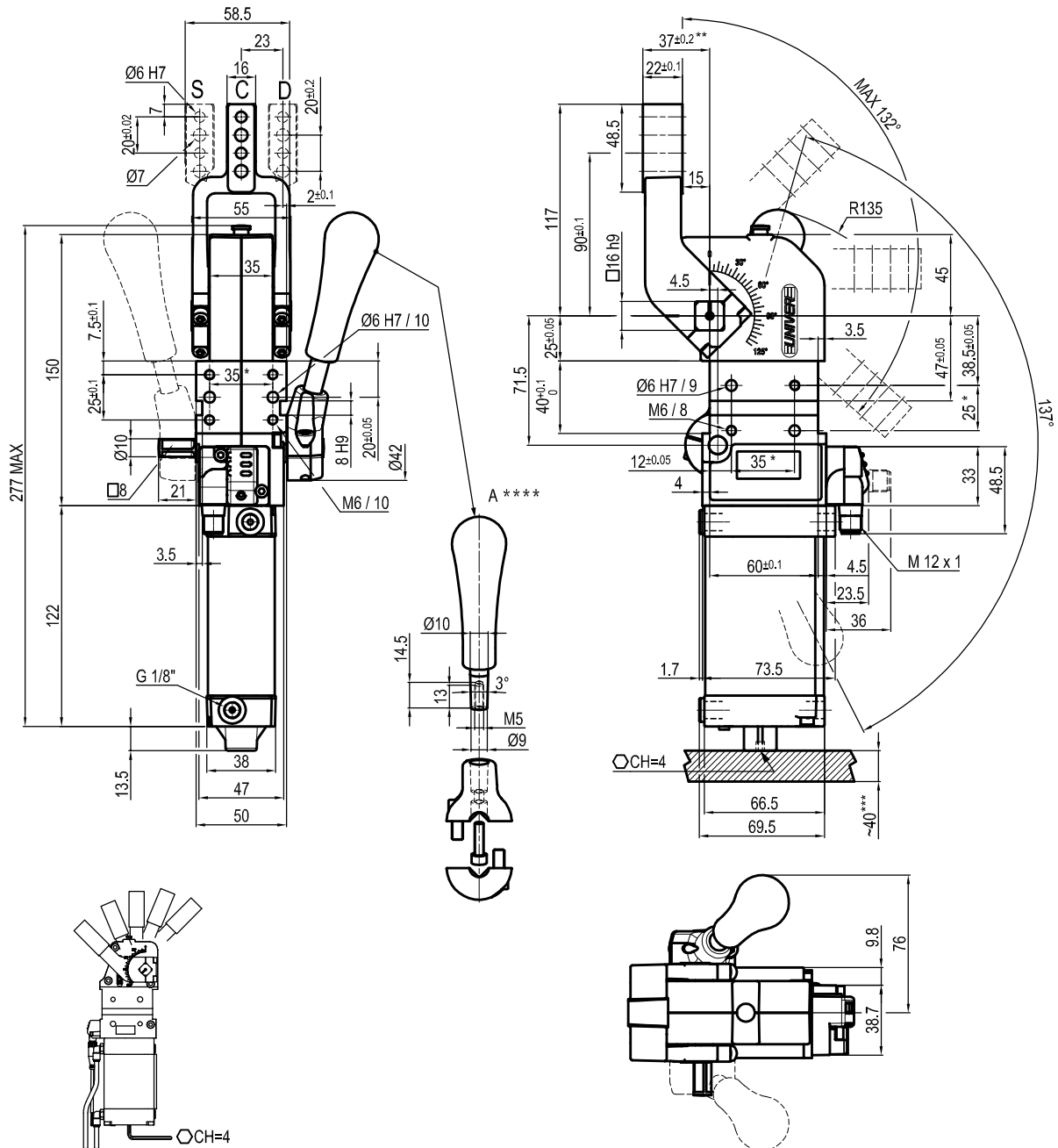
** : AREA TO ACCESS ANGLE ADJUSTMENT

*** : DIMENSIONS TO BE RESPECTED IN CASE OTHER MANUAL LEVERS ARE USED

**** : DIMENSIONS TO BE RESPECTED IN CASE OTHER MANUAL LEVERS ARE USED

Subject to technical modifications without notice

UNIVERSAL Pneumatic clamp with manual lever



| Bore Ø | Holding moment | Clamping moment (0.5 MPa) | Weight (Clamping arm not included) |
|--------|----------------|---------------------------|------------------------------------|
| 40 mm | 600 Nm | 170 Nm | 1.8 Kg |

Min./Max. operating pressure: **0,4 / 0,6 MPa**

Operating temperature: **5° + 45° C**

Opening angle: **adjustable from 0° to 132°**

With manual lever

Electronic sensor with M12 swivel connector that can be orientated at 0° or 90°

Supply voltage: 10±30 Vdc

IP code: **IP 65**

Pneumatic ports on both sides

* : TOLERANCE BETWEEN DOWELS ± 0.02, TO SCREW HOLES ± 0.1

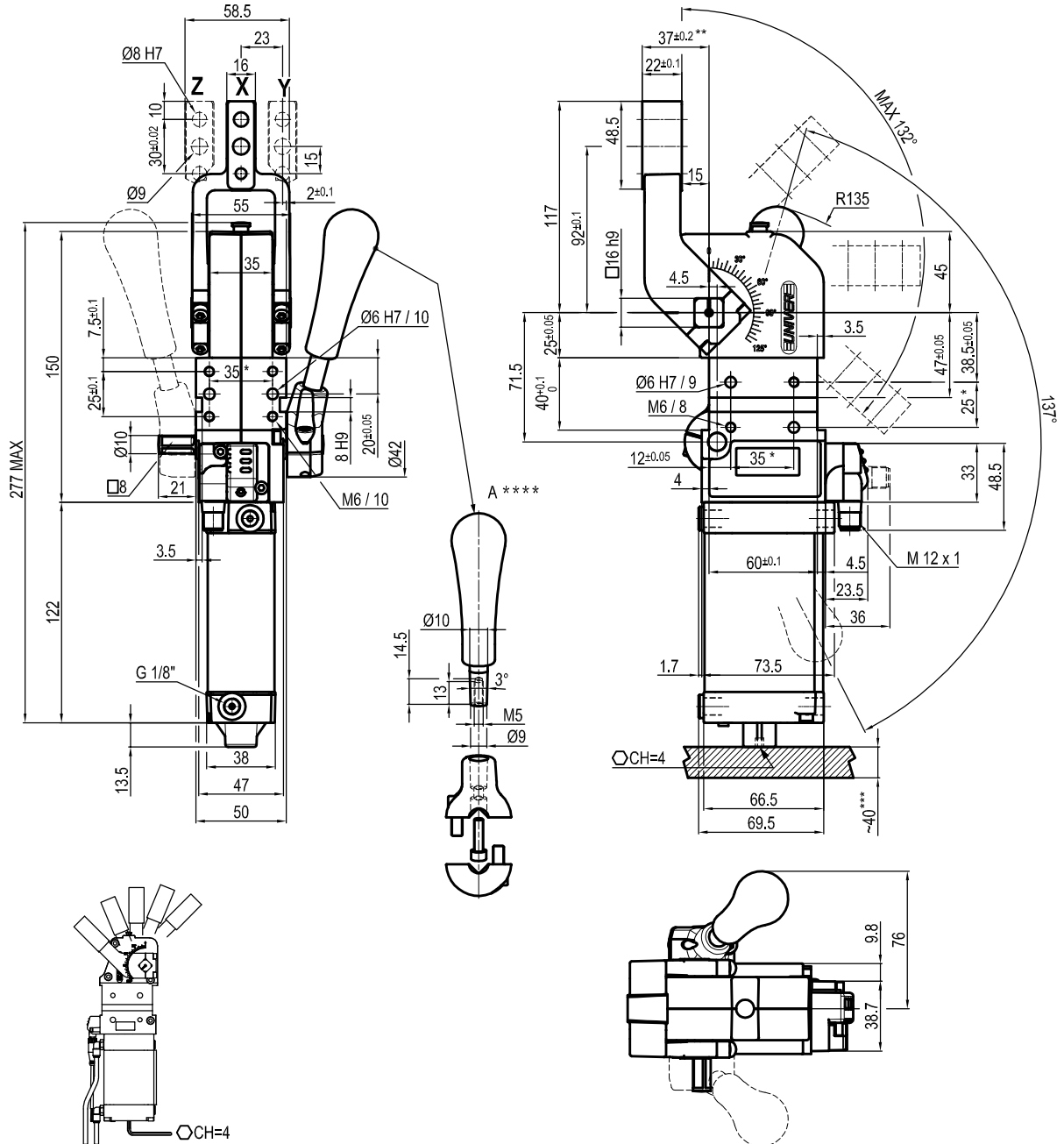
** : TOLERANCE AT 80 mm FROM PIVOT POINT

*** : AREA TO ACCES ANGLE ADJUSTMENT

**** : DIMENSIONS TO BE RESPECTED IN CASE OTHER MANUAL LEVERS ARE USED

Subject to technical modifications without notice

UNIVERSAL Pneumatic clamp with manual lever (arm style X-Y-Z)



| Bore Ø | Holding moment | Clamping moment (0.5 MPa) | Weight (Clamping arm not included) |
|--------|----------------|---------------------------|------------------------------------|
| 40 mm | 600 Nm | 170 Nm | 1.8 Kg |

Min./Max. operating pressure: **0,4 / 0,6 MPa**

Operating temperature: **5° + 45° C**

Opening angle: **adjustable from 0° to 132°**

With manual lever

Electronic sensor with M12 swivel connector that can be orientated at 0° or 90°

Supply voltage: 10÷30 Vdc

IP code: **IP 65**

Pneumatic ports on both sides

* : TOLERANCE BETWEEN DOWELS ± 0.02, TO SCREW HOLES ± 0.1

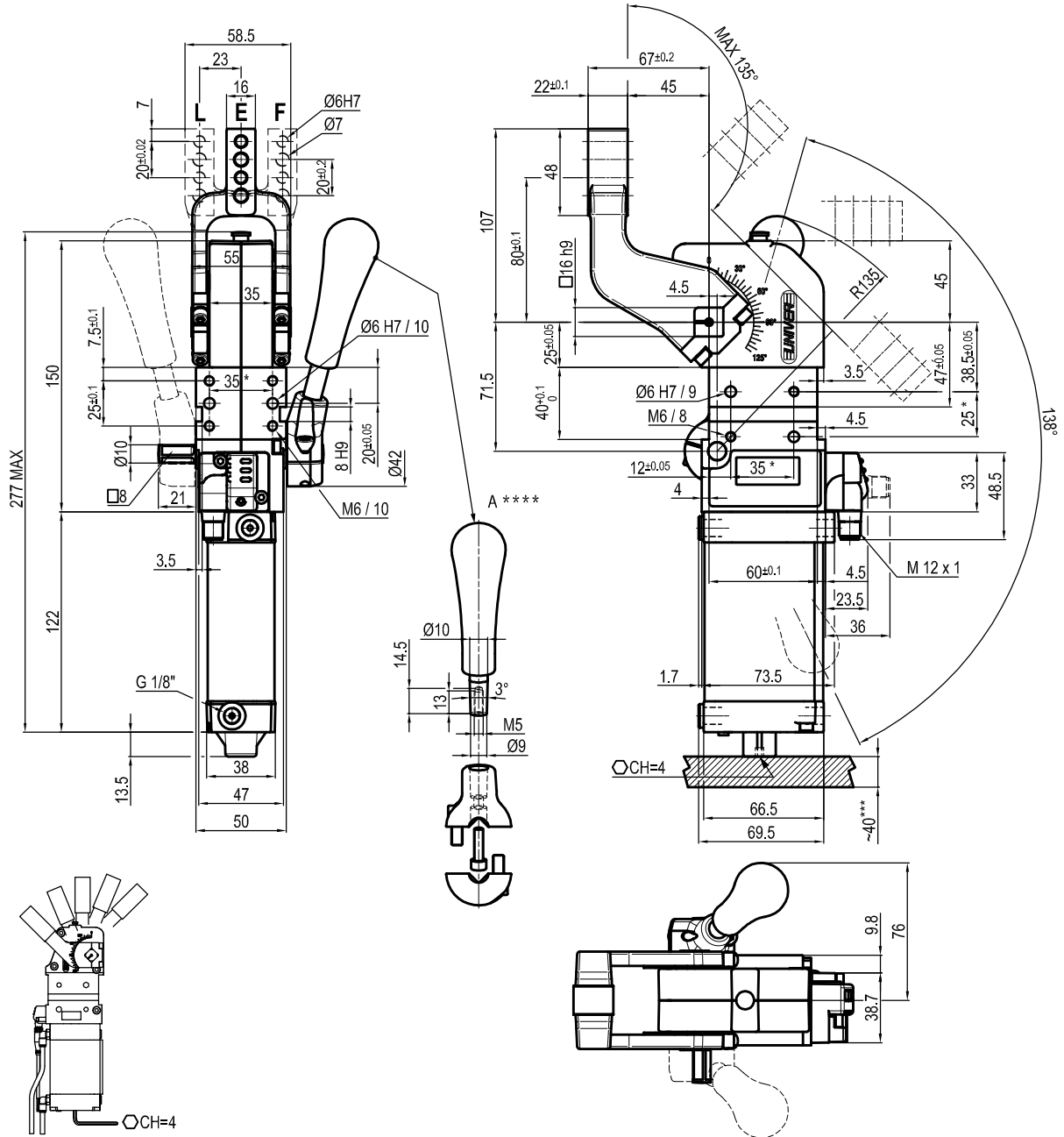
** : TOLERANCE AT 80 mm FROM PIVOT POINT

*** : AREA TO ACCESS ANGLE ADJUSTMENT

**** : DIMENSIONS TO BE RESPECTED IN CASE OTHER MANUAL LEVERS ARE USED

Subject to technical modifications without notice

UNIVERSAL Pneumatic clamp arm at 45 mm from pivot point



| Bore Ø | Holding moment | Clamping moment (0.5 MPa) | Weight (Clamping arm not included) |
|-----------|-------------------|---------------------------------|---------------------------------------|
| 40 mm | 600 Nm | 170 Nm | 1.8 Kg |

Min./Max. operating pressure: **0,4 / 0,6 MPa**

Operating temperature: **5° + 45° C**

Opening angle: **adjustable from 0° to 135°**

With manual lever

Electronic sensor with M12 swivel connector that can be orientated at 0° or 90°

Supply voltage: 10÷30 Vdc

IP code: **IP 65**

Pneumatic ports on both sides

* : TOLERANCE BETWEEN DOWELS ± 0.02, TO SCREW HOLES ± 0.1

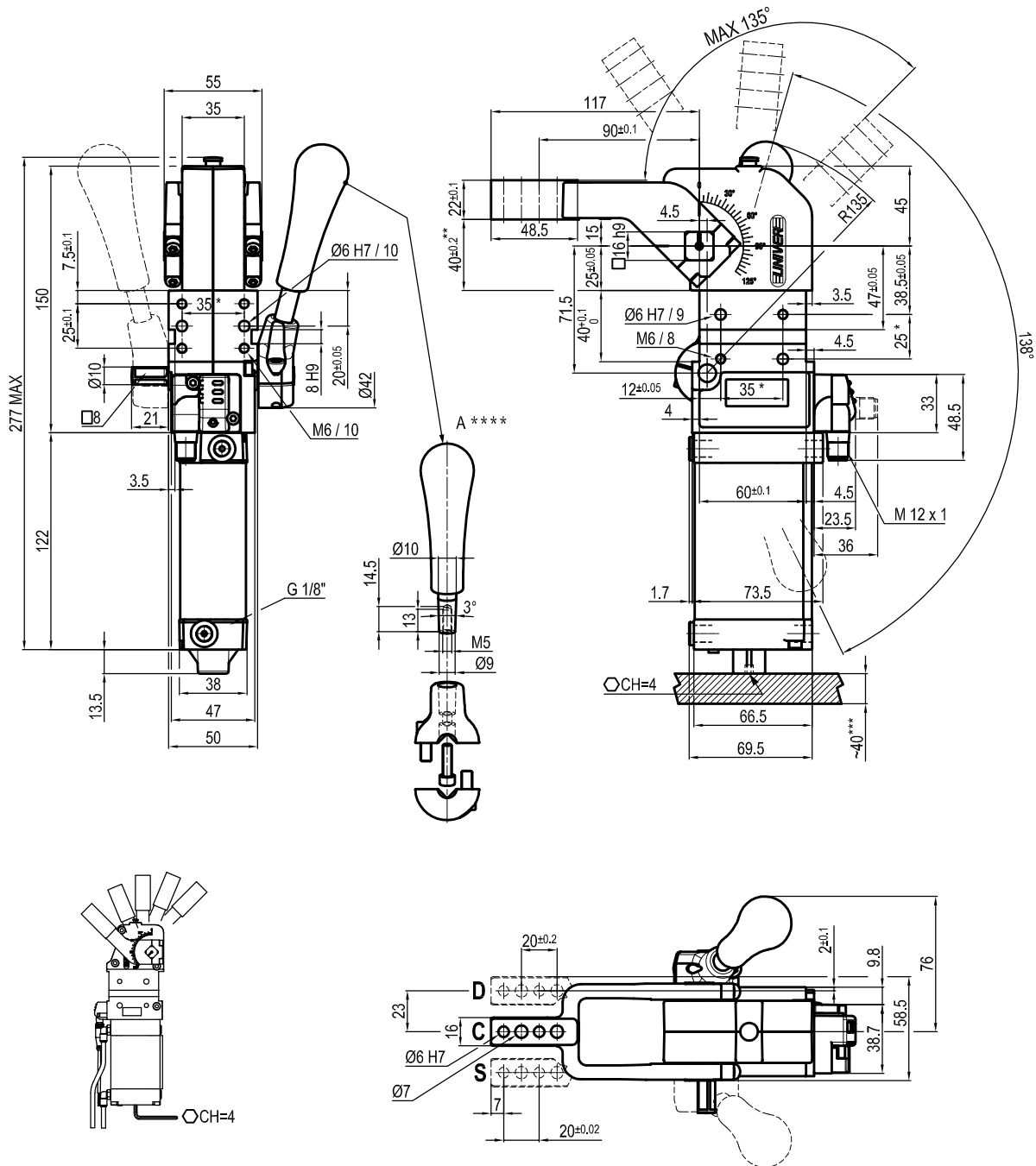
** : TOLERANCE AT 80 mm FROM PIVOT POINT

*** : AREA TO ACCESS ANGLE ADJUSTMENT

**** : DIMENSIONS TO BE RESPECTED IN CASE OTHER MANUAL LEVERS ARE USED

Subject to technical modifications without notice

UNIVERSAL Pneumatic clamp with manual lever



| Bore Ø | Holding moment | Clamping moment (0.5 MPa) | Weight (Clamping arm not included) |
|--------|----------------|---------------------------|------------------------------------|
| 40 mm | 600 Nm | 170 Nm | 1.8 Kg |

Min./Max. operating pressure: **0,4 / 0,6 MPa**

Operating temperature: **5° + 45° C**

Opening angle: **adjustable from 0° to 135°**

With manual lever

Electronic sensor with M12 swivel connector that can be orientated at 0° or 90°

Supply voltage: 10÷30 Vdc

IP code: **IP 65**

Pneumatic ports on both sides

* : TOLERANCE BETWEEN DOWELS ± 0.02, TO SCREW HOLES ± 0.1

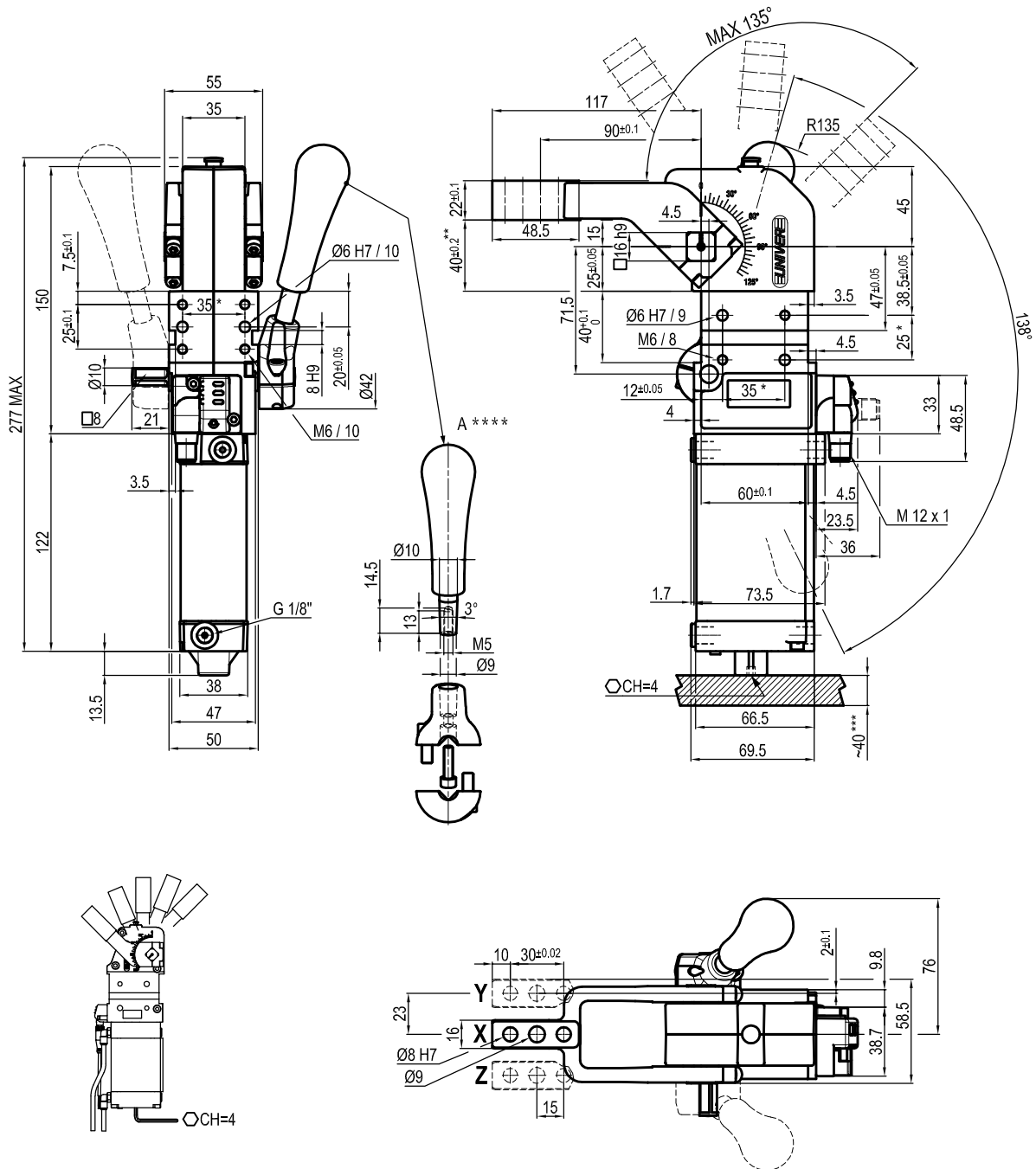
** : TOLERANCE AT 80 mm FROM PIVOT POINT

*** : AREA TO ACCESS ANGLE ADJUSTMENT

**** : DIMENSIONS TO BE RESPECTED IN CASE OTHER MANUAL LEVERS ARE USED

Subject to technical modifications without notice

UNIVERSAL Pneumatic clamp with manual lever (arm style X-Y-Z)



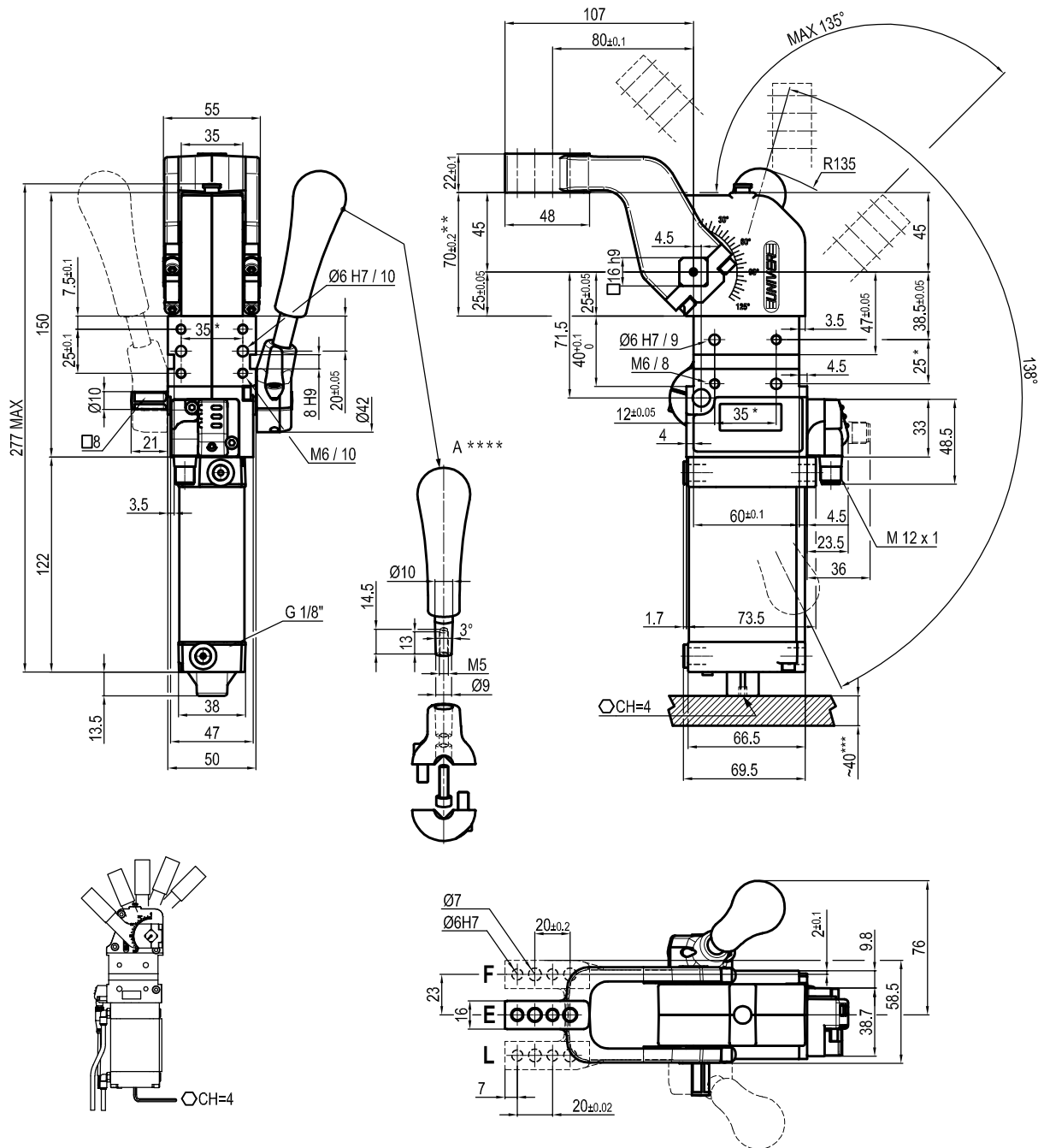
| Bore Ø | Holding moment | Clamping moment (0.5 MPa) | Weight (Clamping arm not included) |
|--------|----------------|---------------------------|------------------------------------|
| 40 mm | 600 Nm | 170 Nm | 1.8 Kg |

Min./Max. operating pressure: **0,4 / 0,6 MPa**
 Operating temperature: **5° + 45° C**
 Opening angle: **adjustable from 0° to 135°**
 With manual lever
 Electronic sensor with M12 swivel connector that can be orientated at 0° or 90°
 Supply voltage: 10÷30 Vdc
 IP code: **IP 65**
 Pneumatic ports on both sides

- * : TOLERANCE BETWEEN DOWELS ± 0.02, TO SCREW HOLES ± 0.1
- ** : TOLERANCE AT 80 mm FROM PIVOT POINT
- *** : AREA TO ACCESS ANGLE ADJUSTMENT
- **** : DIMENSIONS TO BE RESPECTED IN CASE OTHER MANUAL LEVERS ARE USED

Subject to technical modifications without notice

UNIVERSAL Pneumatic clamp arm at 45 mm from pivot point



| Bore Ø | Holding moment | Clamping moment (0.5 MPa) | Weight (Clamping arm not included) |
|--------|----------------|---------------------------|------------------------------------|
| 40 mm | 600 Nm | 170 Nm | 1.8 Kg |

Min./Max. operating pressure: **0,4 / 0,6 MPa**
 Operating temperature: **5° + 45° C**
 Opening angle: **adjustable from 0° to 135°**
 With manual lever
 Electronic sensor with M12 swivel connector that can be orientated at 0° or 90°
 Supply voltage: 10÷30 Vdc
 IP code: **IP 65**
 Pneumatic ports on both sides

* : TOLERANCE BETWEEN DOWELS ± 0.02, TO SCREW HOLES ± 0.1
 ** : TOLERANCE AT 80 mm FROM PIVOT POINT
 *** : AREA TO ACCESS ANGLE ADJUSTMENT
 **** : DIMENSIONS TO BE RESPECTED IN CASE OTHER MANUAL LEVERS ARE USED

Subject to technical modifications without notice