

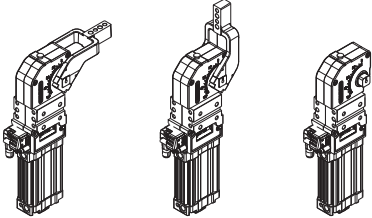
UBP32

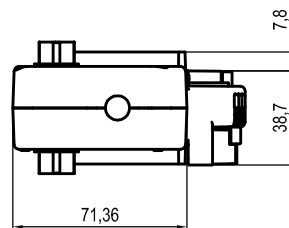
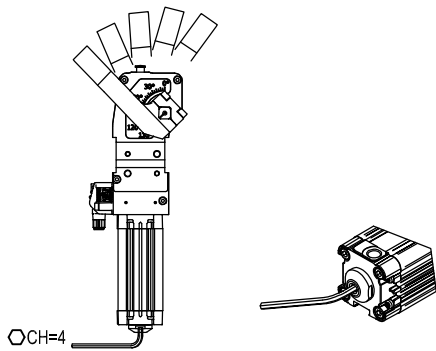
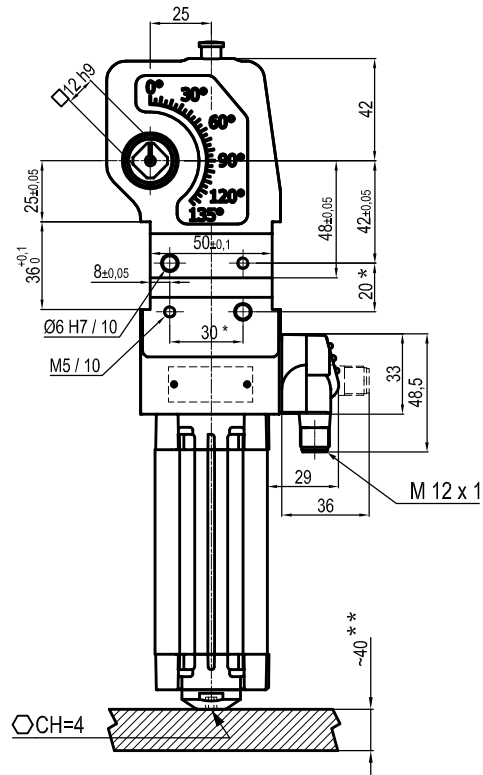
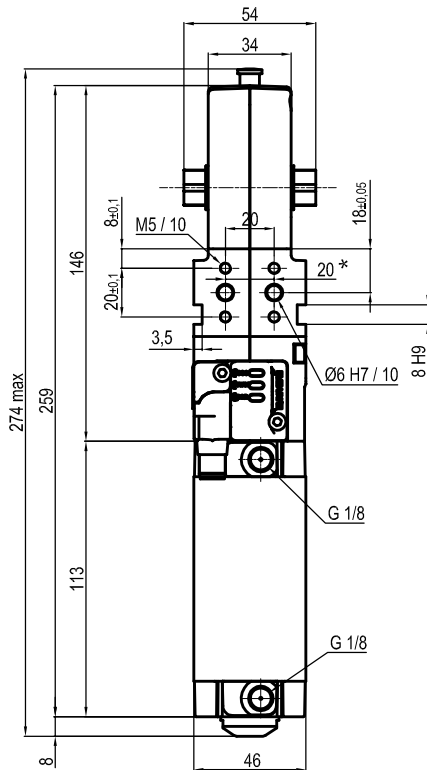
Unità di bloccaggio UNIVERSAL



U	B	P	3	2	N	N	E
1	2	3	4	5	6		

<p>1 Serie</p> <p>UB = Unità di bloccaggio UNIVERSAL con regolazione continua angolo d'apertura da: 0° a 135° Max L'angolo di apertura può variare a seconda della posizione e della tipologia del pressore</p>	<p>2 Versione</p> <p>P = Pneumatica standard</p>	<p>3 Taglia</p> <p>32 = Ø 32 mm</p>
---	--	---

<p>4 Posizione pressore</p> <p>V = 90° O = 180° N = Senza pressore</p> 	<p>5 Tipo di pressore</p> <p>B = Centrale, 0 mm offset C = Centrale, 10 mm offset E = Centrale, 25 mm offset N = Senza pressore</p>	<p>6 Sensore di posizione</p> <p>N = Senza sensore (con piastra di chiusura) E = Sensore elettronico con connettore M12 orientabile</p>
--	--	--



Bore Ø	Holding moment	Clamping moment (0.5 MPa)	Weight (Clamping arm not included)
32 mm	250 Nm	75 Nm	1.3 Kg

Min./Max. operating pressure: **0,4 / 0,6 MPa**

Operating temperature: **5° + 45° C**

Opening angle: **adjustable**

Electronic sensor with M12 swivel connector that can be orientated at 0° or 90°

Supply voltage: 10+30 Vdc

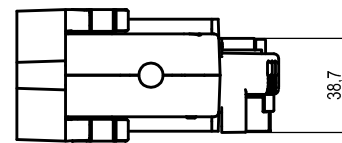
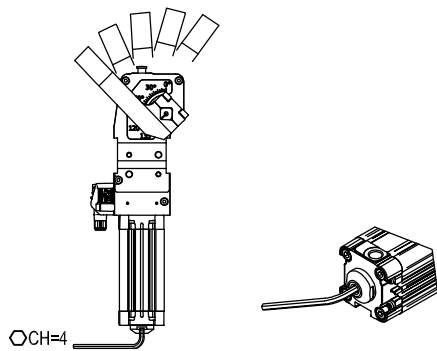
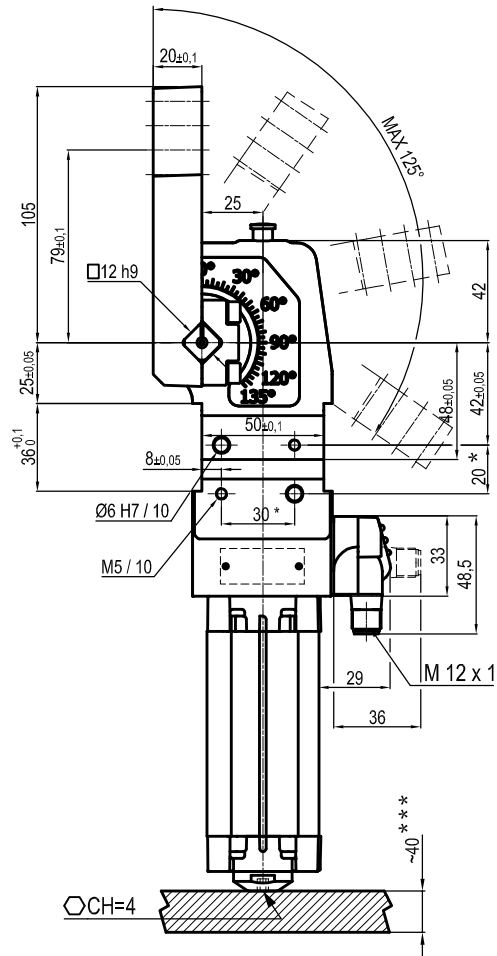
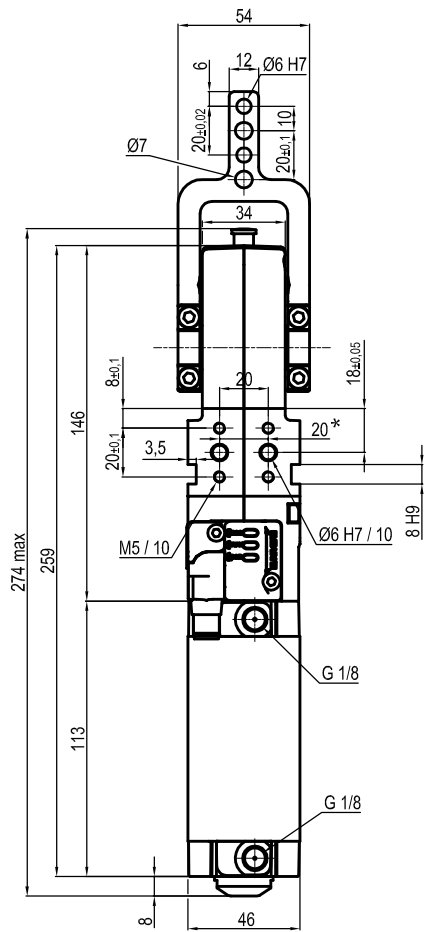
IP code: **IP 65**

Pneumatic ports 1/8G

* : TOLERANCE BETWEEN DOWELS ± 0.02, TO SCREW HOLES ± 0.1

** : AREA TO ACCES ANGLE ADJUSTMENT

Subject to technical modifications without notice



Bore Ø	Holding moment	Clamping moment (0.5 MPa)	Weight (Clamping arm not included)
32 mm	250 Nm	75 Nm	1.3 Kg

Min./Max. operating pressure: 0,4 / 0,6 MPa

Operating temperature: 5° ± 45° C

Opening angle: **adjustable from 0° to 125°**

Electronic sensor with M12 swivel connector that can be orientated at 0° or 90°

Supply voltage: 10+30 Vdc

IP code: **IP 65**

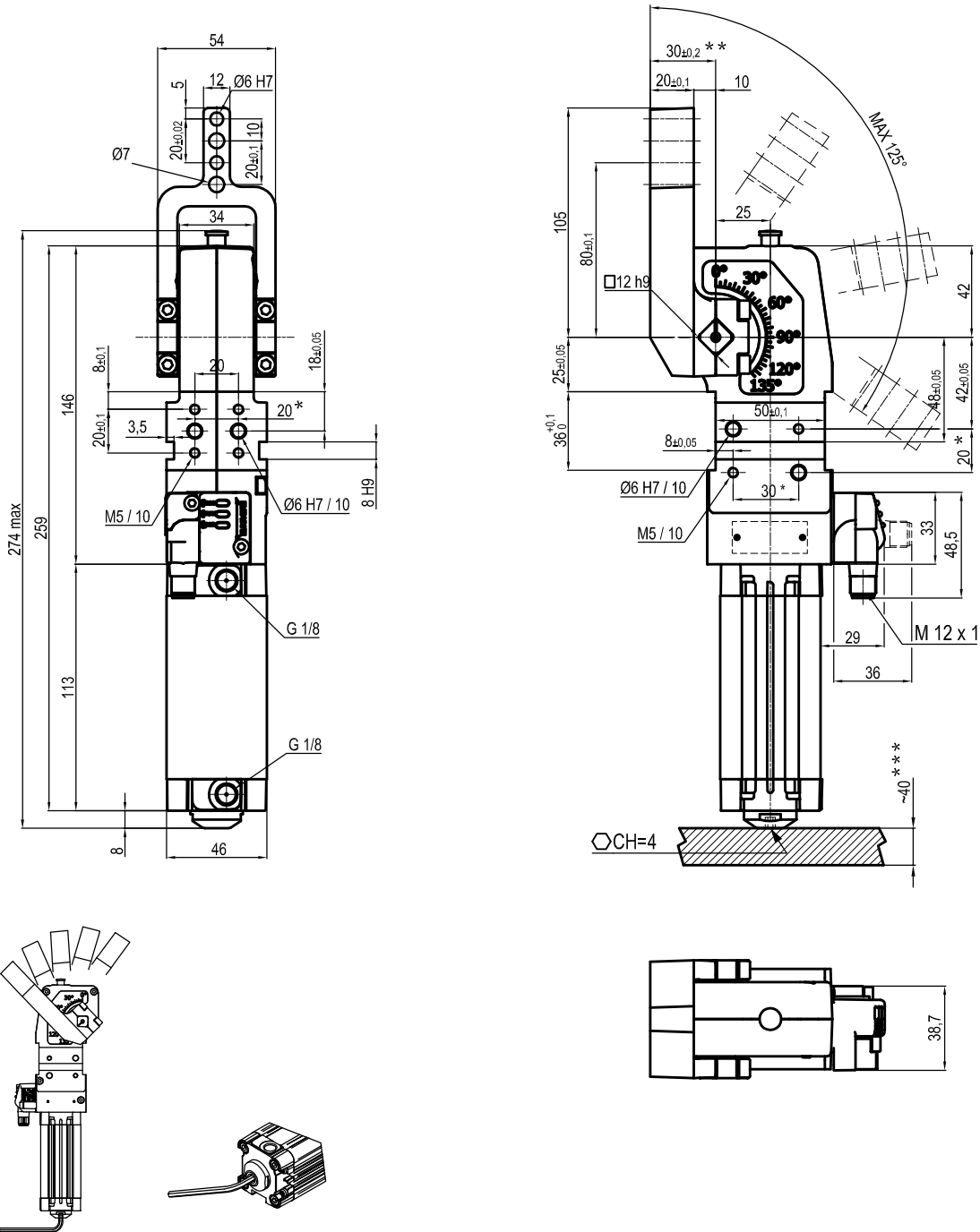
Pneumatic ports 1/8G

* : TOLERANCE BETWEEN DOWELS ± 0.02, TO SCREW HOLES ± 0.1

** : TOLERANCE AT 80 mm FROM PIVOT POINT

*** : AREA TO ACCES ANGLE ADJUSTMENT

Subject to technical modifications without notice



Bore Ø	Holding moment	Clamping moment (0.5 MPa)	Weight (Clamping arm not included)
32 mm	250 Nm	75 Nm	1.3 Kg

Min./Max. operating pressure: **0,4 / 0,6 MPa**

Operating temperature: **5° ± 45° C**

Opening angle: **adjustable from 0° to 125°**

Electronic sensor with M12 swivel connector that can be orientated at 0° or 90°

Supply voltage: 10+30 Vdc

IP code: **IP 65**

Pneumatic ports 1/8G

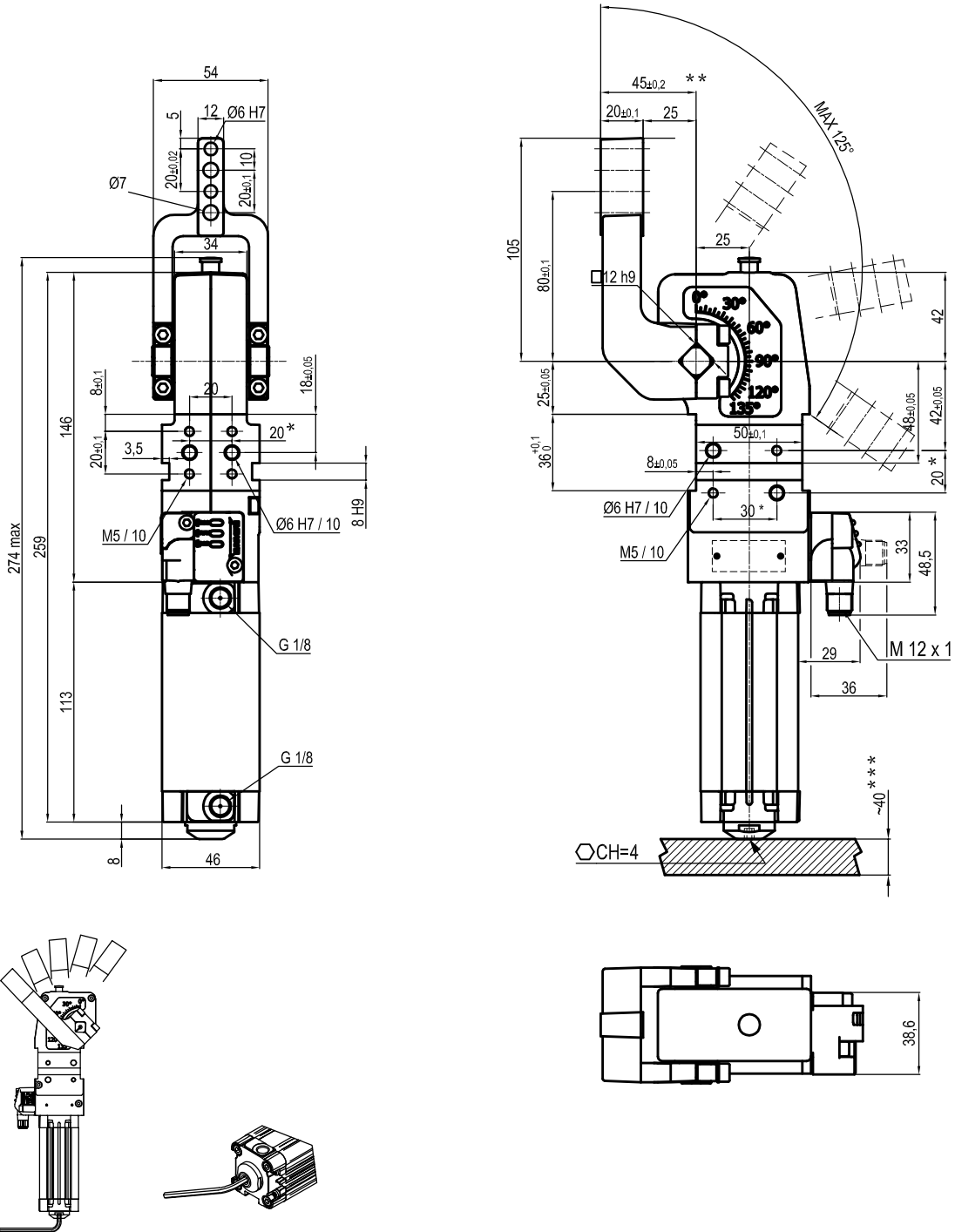
* : TOLERANCE BETWEEN DOWELS ± 0.02, TO SCREW HOLES ± 0.1

** : TOLERANCE AT 80 mm FROM PIVOT POINT

*** : AREA TO ACCESS ANGLE ADJUSTMENT

Subject to technical modifications without notice

UNIVERSAL Pneumatic clamp

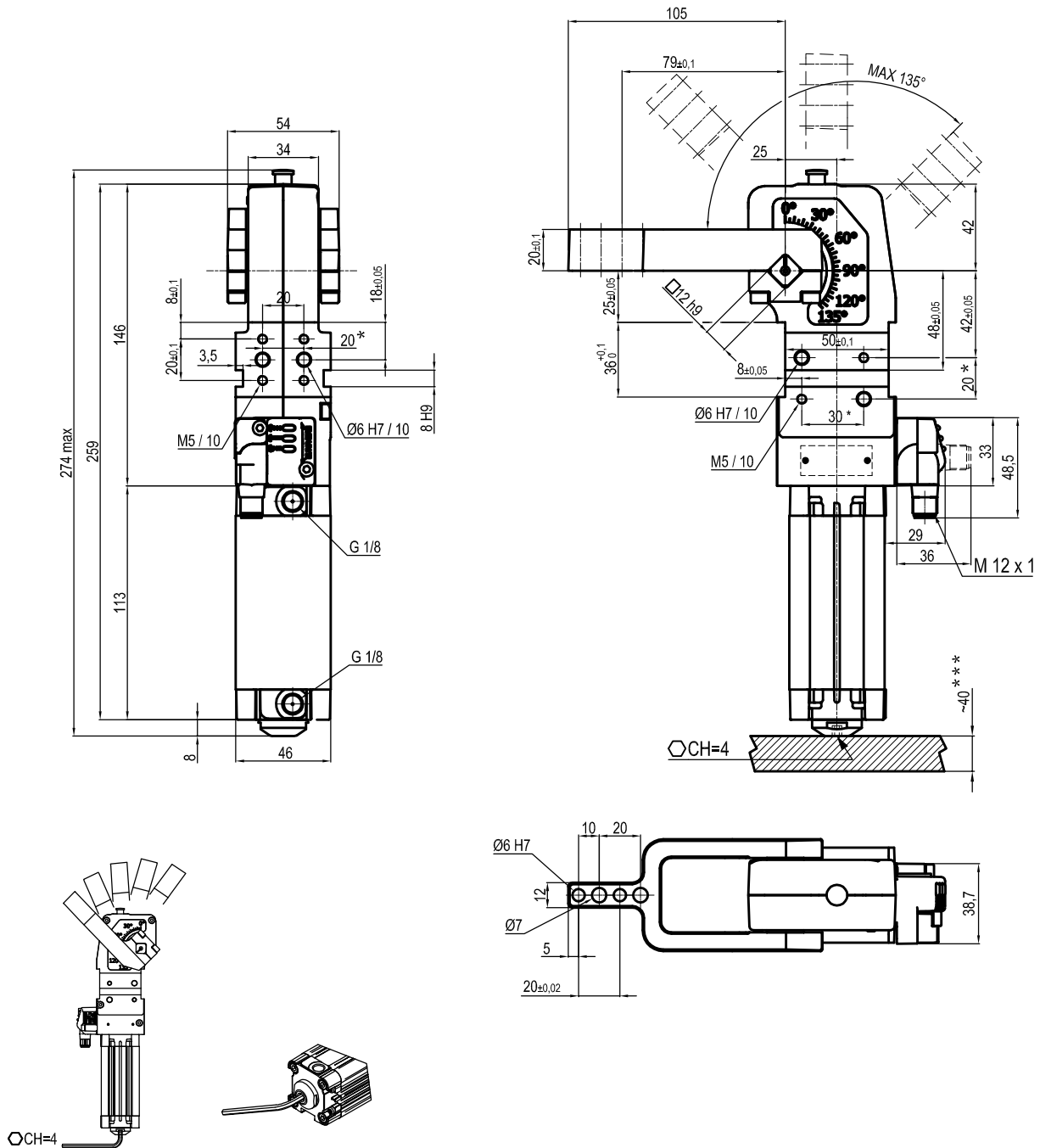


Bore Ø	Holding moment	Clamping moment (0.5 MPa)	Weight (Clamping arm not included)
32 mm	250 Nm	75 Nm	1.3 Kg

Min./Max. operating pressure: **0,4 / 0,6 MPa**
 Operating temperature: **5° + 45° C**
 Opening angle: **adjustable from 0° to 125°**
 Electronic sensor with M12 swivel connector that can be orientated at 0° or 90°
 Supply voltage: 10+30 Vdc
 IP code: **IP 65**
 Pneumatic ports 1/8G

* : TOLERANCE BETWEEN DOWELS ± 0.02, TO SCREW HOLES ± 0.1
 ** : TOLERANCE AT 80 mm FROM PIVOT POINT
 *** : AREA TO ACCESS ANGLE ADJUSTMENT

Subject to technical modifications without notice

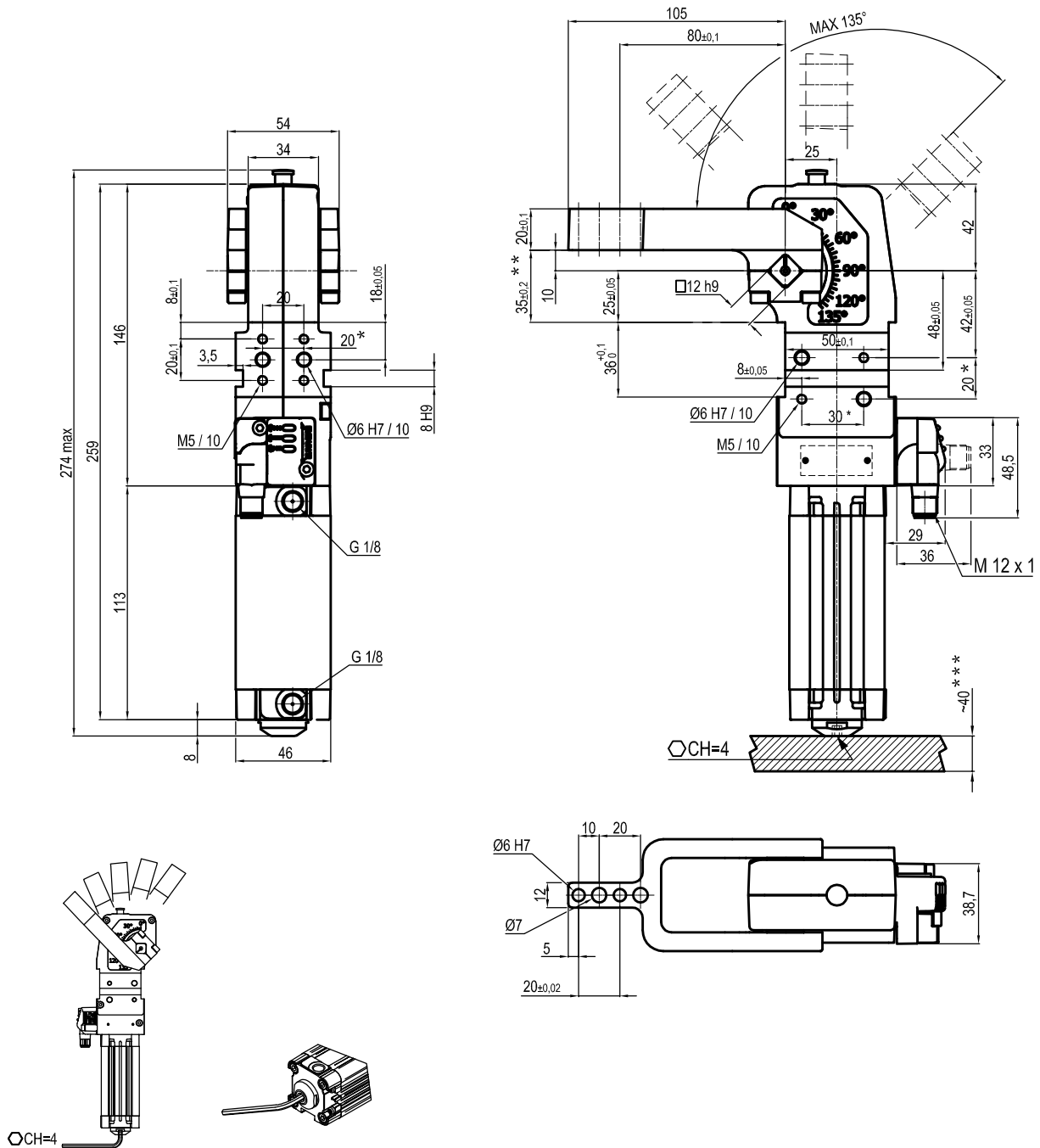


Bore Ø	Holding moment	Clamping moment (0.5 MPa)	Weight (Clamping arm not included)
32 mm	250 Nm	75 Nm	1.3 Kg

Min./Max. operating pressure: **0,4 / 0,6 MPa**
 Operating temperature: **5° ± 45° C**
 Opening angle: **adjustable from 0° to 135°**
 Electronic sensor with M12 swivel connector that can be orientated at 0° or 90°
 Supply voltage: 10+30 Vdc
 IP code: **IP 65**
 Pneumatic ports 1/8G

* : TOLERANCE BETWEEN DOWELS ± 0.02, TO SCREW HOLES ± 0.1
 ** : TOLERANCE AT 80 mm FROM PIVOT POINT
 *** : AREA TO ACCESS ANGLE ADJUSTMENT

Subject to technical modifications without notice

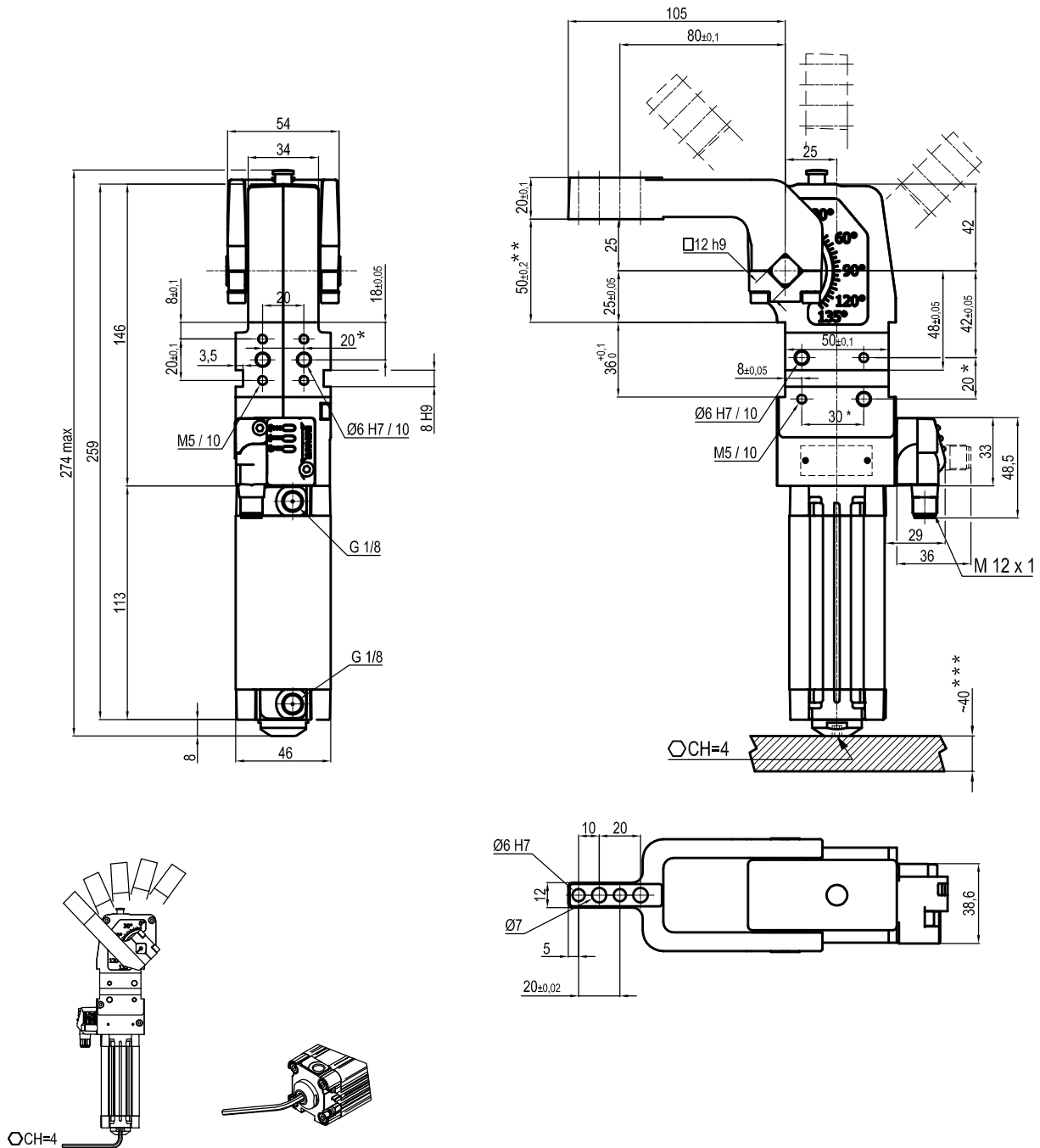


Bore Ø	Holding moment	Clamping moment (0.5 MPa)	Weight (Clamping arm not included)
32 mm	250 Nm	75 Nm	1.3 Kg

Min./Max. operating pressure: 0,4 / 0,6 MPa
 Operating temperature: 5° ± 45° C
 Opening angle: **adjustable from 0° to 135°**
 Electronic sensor with M12 swivel connector that can be orientated at 0° or 90°
 Supply voltage: 10±30 Vdc
 IP code: **IP 65**
 Pneumatic ports 1/8G

* : TOLERANCE BETWEEN DOWELS ± 0.02, TO SCREW HOLES ± 0.1
 ** : TOLERANCE AT 80 mm FROM PIVOT POINT
 *** : AREA TO ACCES ANGLE ADJUSTMENT

Subject to technical modifications without notice



Bore Ø	Holding moment	Clamping moment (0.5 MPa)	Weight (Clamping arm not included)
32 mm	250 Nm	75 Nm	1.3 Kg

Min./Max. operating pressure: 0,4 / 0,6 MPa

Operating temperature: 5° ± 45° C

Opening angle: adjustable from 0° to 135°

Electronic sensor with M12 swivel connector that can be orientated at 0° or 90°

Supply voltage: 10+30 Vdc

IP code: IP 65

Pneumatic ports 1/8G

* : TOLERANCE BETWEEN DOWELS ± 0.02, TO SCREW HOLES ± 0.1

** : TOLERANCE AT 80 mm FROM PIVOT POINT

*** : AREA TO ACCES ANGLE ADJUSTMENT

Subject to technical modifications without notice