

# IBM40

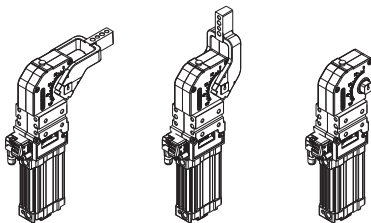
UNIVERSAL Power clamps



I	B	M	4	0	V	E	E
1	2	3	4	5	6		

1 Series	2 Version	3 Size
<p><b>IB</b> = UNIVERSAL power clamps fully adjustable opening angle: <b>0° to 125° Max</b> interchangeable with 50 and 63 sizes The opening angle range may vary according to the arm position and style</p>	<p><b>M</b> = Pneumatic with manual lever</p>	<p><b>40</b> = Ø 40 mm</p>
4 Arm position	5 Arm style	6 Sensor

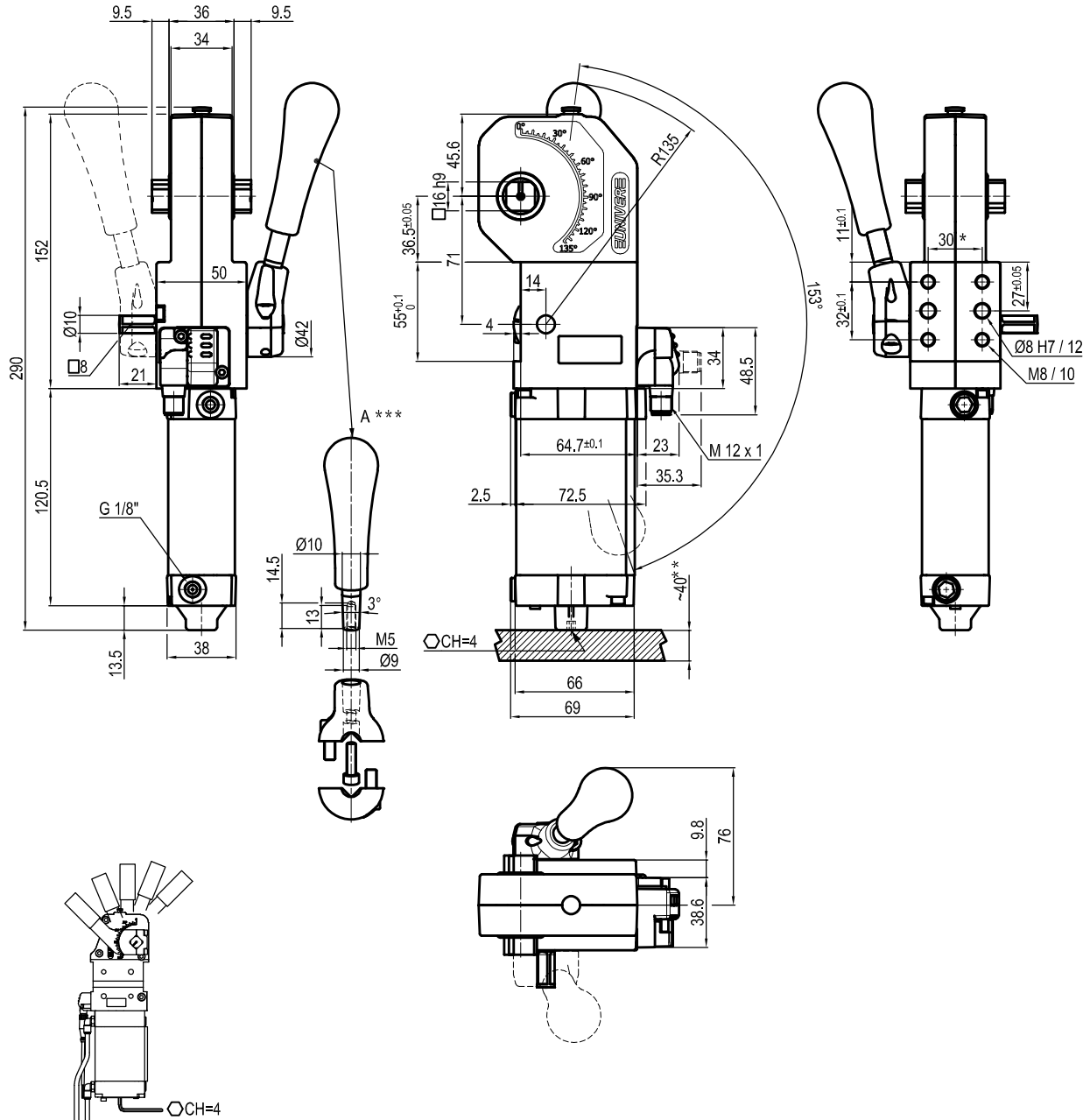
**V** = 90°    **O** = 180°    **N** = No arm



**C** = Central, 15 mm offset (standard)  
**D** = Right, 15 mm offset (standard)  
**S** = Left, 15 mm offset (standard)  
**E** = Central, 45 mm offset  
**F** = Right, 45 mm offset  
**L** = Left, 45 mm offset  
**N** = No arm

**N** = No sensor (with protection plate)  
**E** = Electronic sensor with M12 swivel connector

## UNIVERSAL Pneumatic power clamp Ø50 / Ø63 mm sizes compatible



Bore Ø	Holding moment	Clamping moment (0.5 MPa)	Weight (Clamping arm not included)
40 mm	600 Nm	170 Nm	2.1 Kg

Min./Max. operating pressure: **0,4 / 0,6 MPa**

Operating temperature: **5° ± 45° C**

Opening angle: **adjustable**

Without arm

Electronic sensor with M12 swivel connector that can be orientated at 0° or 90°

Supply voltage: 10÷30 Vdc

IP code: **IP 65**

Pneumatic ports on both sides

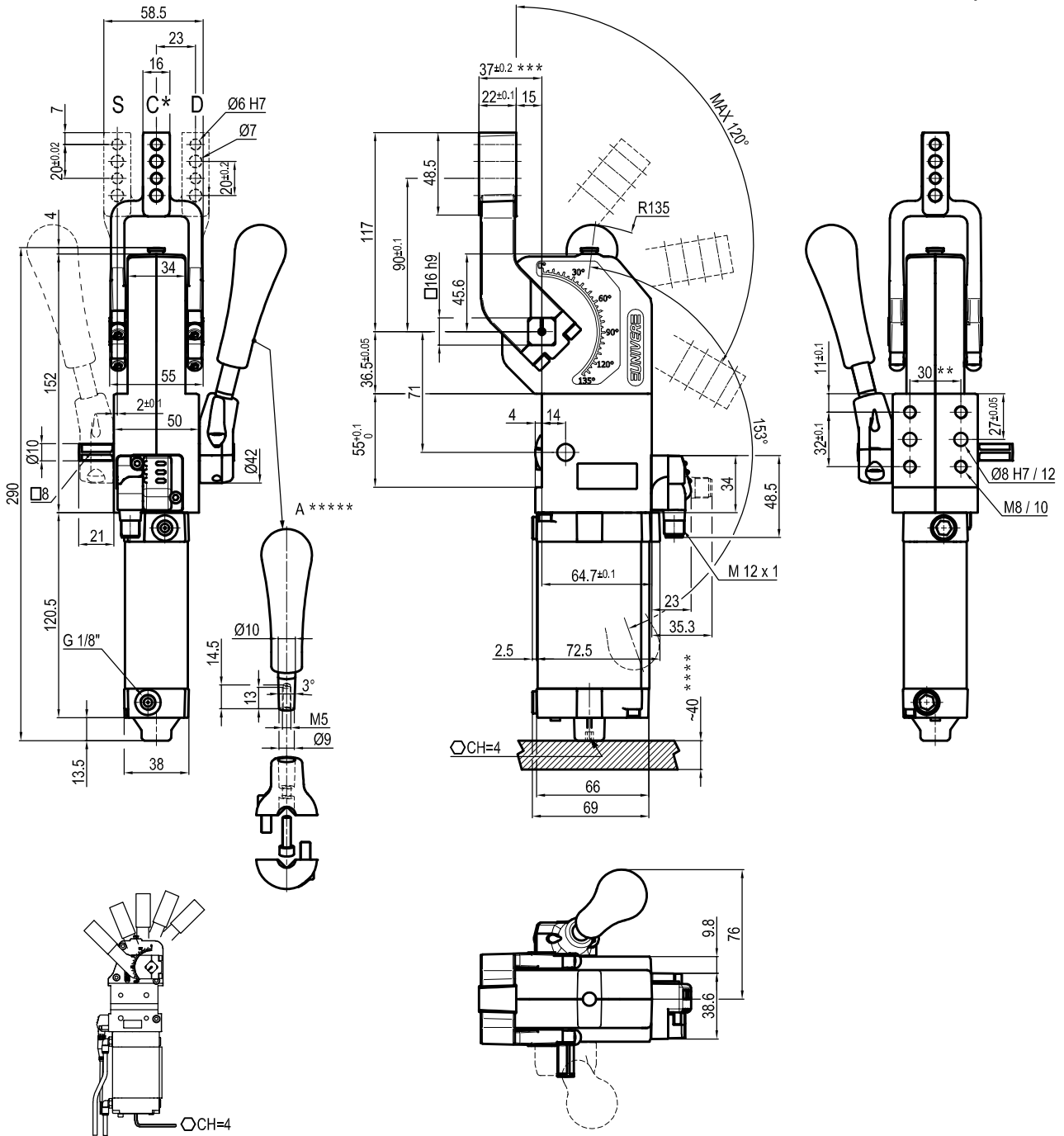
\* : TOLERANCE BETWEEN DOWELS ± 0.02, TO SCREW HOLES ± 0.1

\*\* : AREA TO ACCESS ANGLE ADJUSTMENT

\*\*\* : DIMENSIONS TO BE RESPECTED IN CASE OTHER MANUAL LEVERS ARE USED

Subject to technical modification without notice.

## UNIVERSAL Pneumatic power clamp Ø50 / Ø63 mm sizes compatible



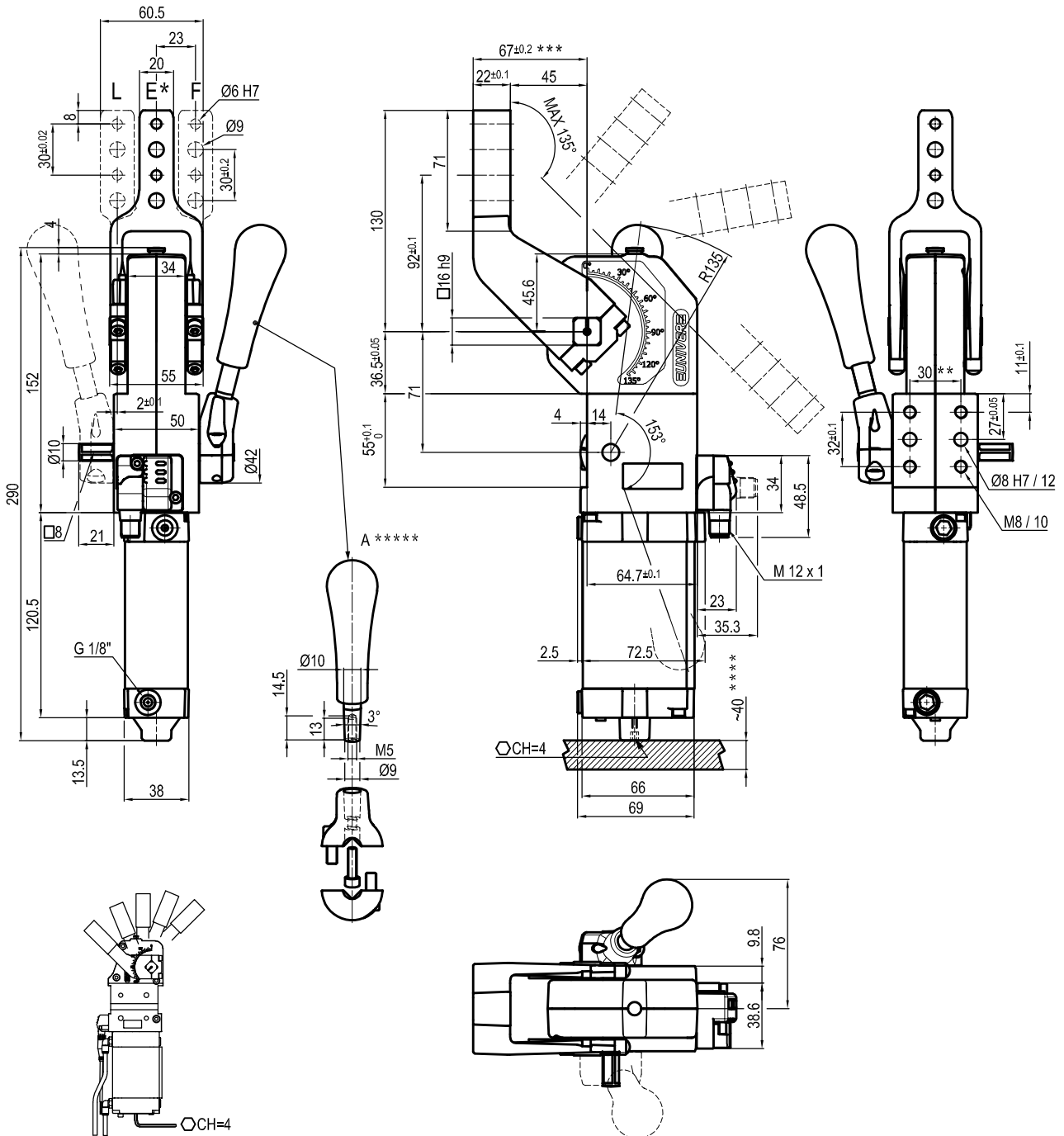
Bore Ø	Holding moment	Clamping moment (0.5 MPa)	Weight (Clamping arm not included)
40 mm	600 Nm	170 Nm	2.1 Kg

Min./Max. operating pressure: **0,4 / 0,6 MPa**  
 Operating temperature: **5° ± 45° C**  
 Opening angle: **adjustable from 0° to 120°**  
 Horizontal arm mount position  
 Electronic sensor with M12 swivel connector that can be orientated at 0° or 90°  
 Supply voltage: 10±30 Vdc  
 IP code: **IP 65**  
 Pneumatic ports on both sides

\* : "E" Ø50 / Ø63 mm SIZES COMPATIBLE  
 \*\* : TOLERANCE BETWEEN DOWELS ± 0.02, TO SCREW HOLES ± 0.1  
 \*\*\* : TOLERANCE AT 80 mm FROM PIVOT POINT  
 \*\*\*\* : AREA TO ACCESS ANGLE ADJUSTMENT  
 \*\*\*\*\* : DIMENSIONS TO BE RESPECTED IN CASE OTHER LMANUAL LEVERS ARE USED

Subject to technical modification without notice.

## UNIVERSAL Pneumatic power clamp with manual lever arm at 45 mm from pivot point (arm style E-L-F)



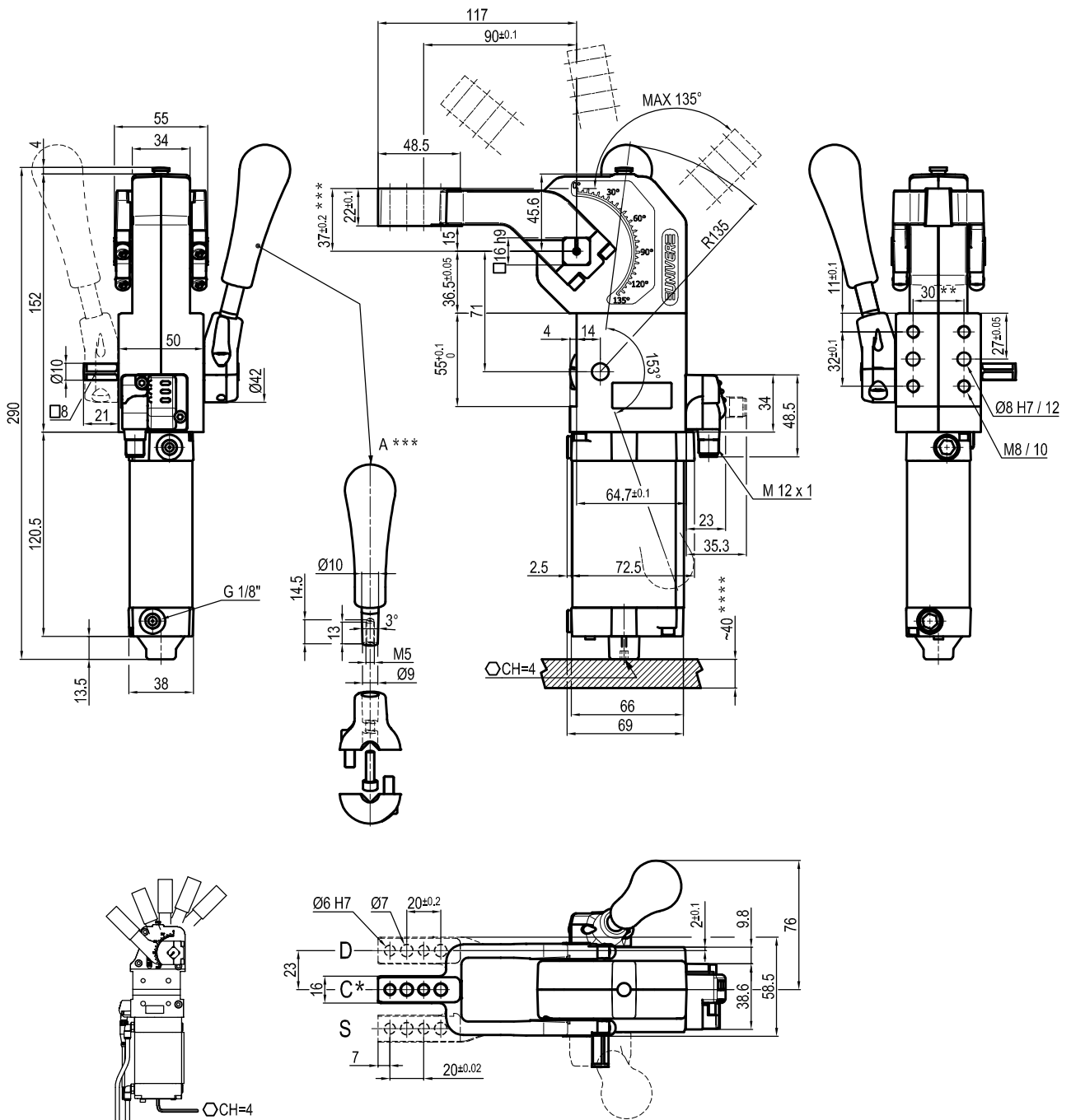
Bore Ø	Holding moment	Clamping moment (0.5 MPa)	Weight (Clamping arm not included)
40 mm	600 Nm	170 Nm	2.1 Kg

Min./Max. operating pressure: **0,4 / 0,6 MPa**  
 Operating temperature: **5° ± 45° C**  
 Opening angle: **adjustable from 0° to 135°**  
 Horizontal arm mount position  
 Electronic sensor with M12 swivel connector that can be orientated at 0° or 90°  
 Supply voltage: 10±30 Vdc  
 IP code: **IP 65**  
 Pneumatic ports on both sides

\* : "E" CENTRAL - Ø50 / Ø63 mm SIZES COMPATIBLE  
 \*\* : TOLERANCE BETWEEN DOWELS ± 0.02, TO SCREW HOLES ± 0.1  
 \*\*\* : TOLERANCE AT 80 mm FROM PIVOT POINT  
 \*\*\*\* : AREA TO ACCESS ANGLE ADJUSTMENT

Subject to technical modification without notice.

## UNIVERSAL Pneumatic power clamp Ø50 / Ø63 mm sizes compatible



Bore Ø	Holding moment	Clamping moment (0.5 MPa)	Weight (Clamping arm not included)
40 mm	600 Nm	170 Nm	2.1 Kg

Min./Max. operating pressure: **0,4 / 0,6 MPa**

Operating temperature: **5° ± 45° C**

Opening angle: **adjustable from 0° to 135°**

Vertical arm mount position

Electronic sensor with M12 swivel connector that can be orientated at 0° or 90°

Supply voltage: 10÷30 Vdc

IP code: **IP 65**

Pneumatic ports on both sides

\* : "E" CENTRAL - Ø50 / Ø63 mm SIZES COMPATIBLE

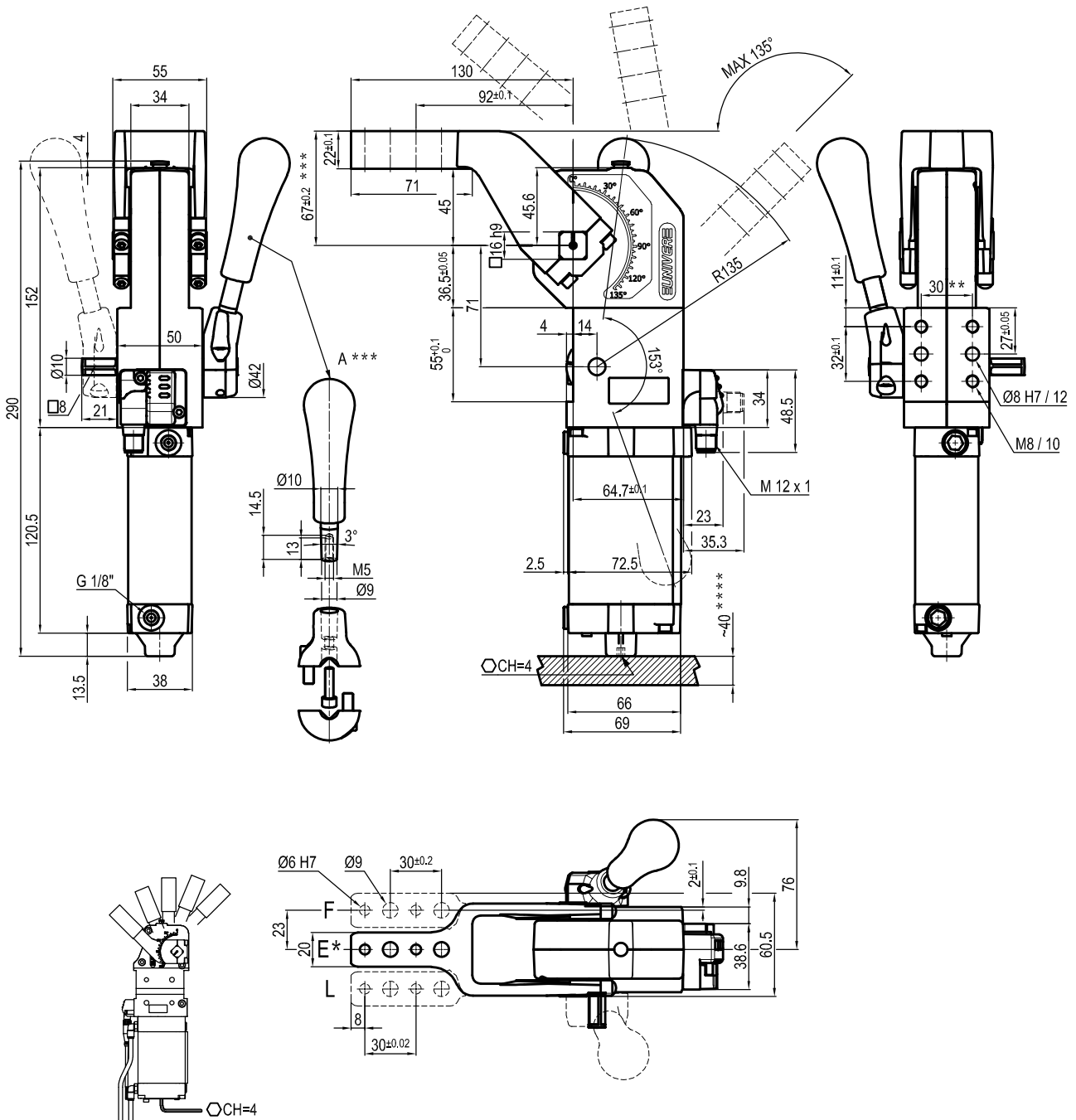
\*\* : TOLERANCE BETWEEN DOWELS ± 0.02, TO SCREW HOLES ± 0.1

\*\*\* : TOLERANCE AT 80 mm FROM PIVOT POINT

\*\*\*\* : AREA TO ACCESS ANGLE ADJUSTMENT

Subject to technical modification without notice.

## UNIVERSAL Pneumatic power clamp with manual lever arm at 45 mm from pivot point (arm style E-L-F)



Bore Ø	Holding moment	Clamping moment (0.5 MPa)	Weight (Clamping arm not included)
40 mm	600 Nm	170 Nm	2.1 Kg

Min./Max. operating pressure: **0,4 / 0,6 MPa**

Operating temperature: **5° ± 45° C**

Opening angle: **adjustable from 0° to 135°**

Vertical arm mount position

Electronic sensor with M12 swivel connector that can be orientated at 0° or 90°

Supply voltage: 10-30 Vdc

IP code: **IP 65**

Pneumatic ports on both sides

\* : "E" CENTRAL - Ø50 / Ø63 mm SIZES COMPATIBLE

\*\* : TOLERANCE BETWEEN DOWELS ± 0.02, TO SCREW HOLES ± 0.1

\*\*\* : TOLERANCE AT 80 mm FROM PIVOT POINT

\*\*\*\* : AREA TO ACCESS ANGLE ADJUSTMENT

Subject to technical modification without notice.