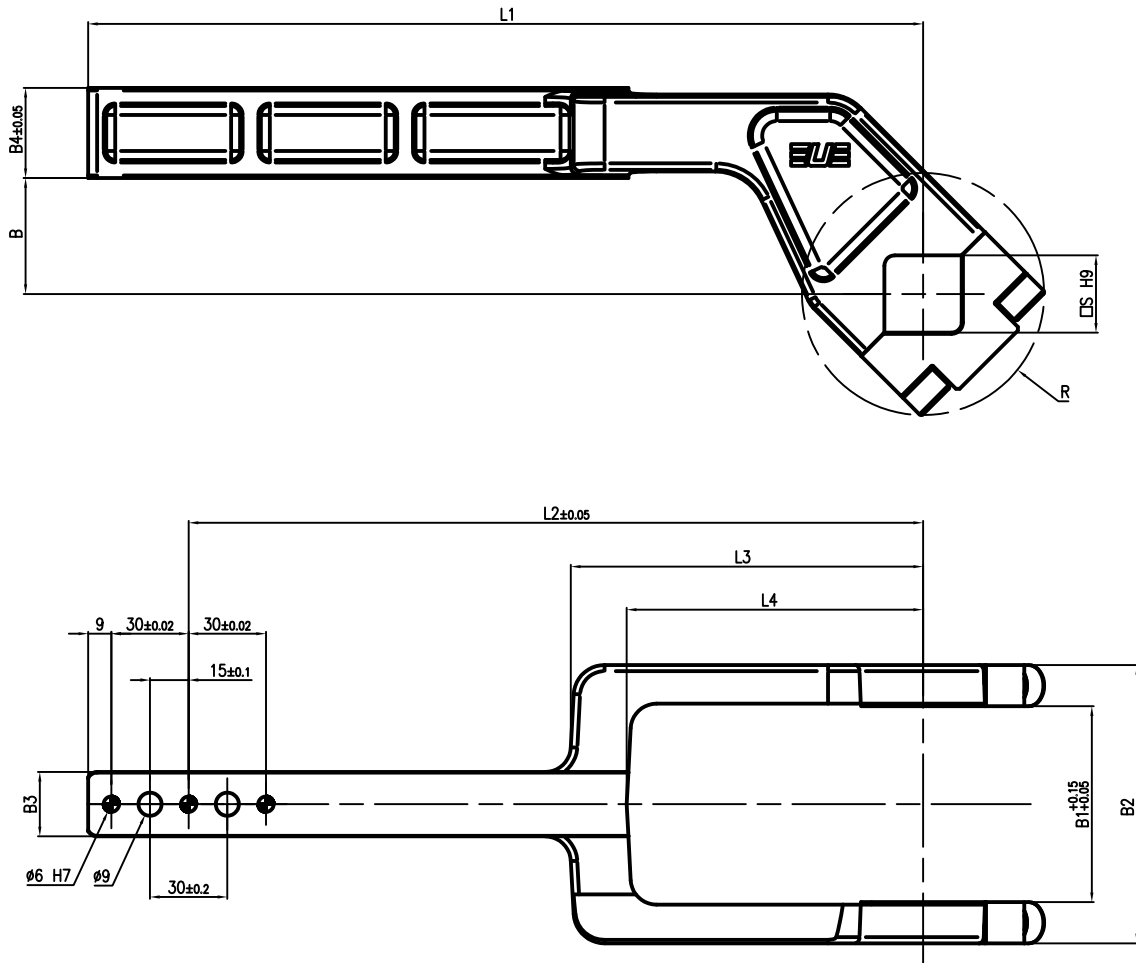
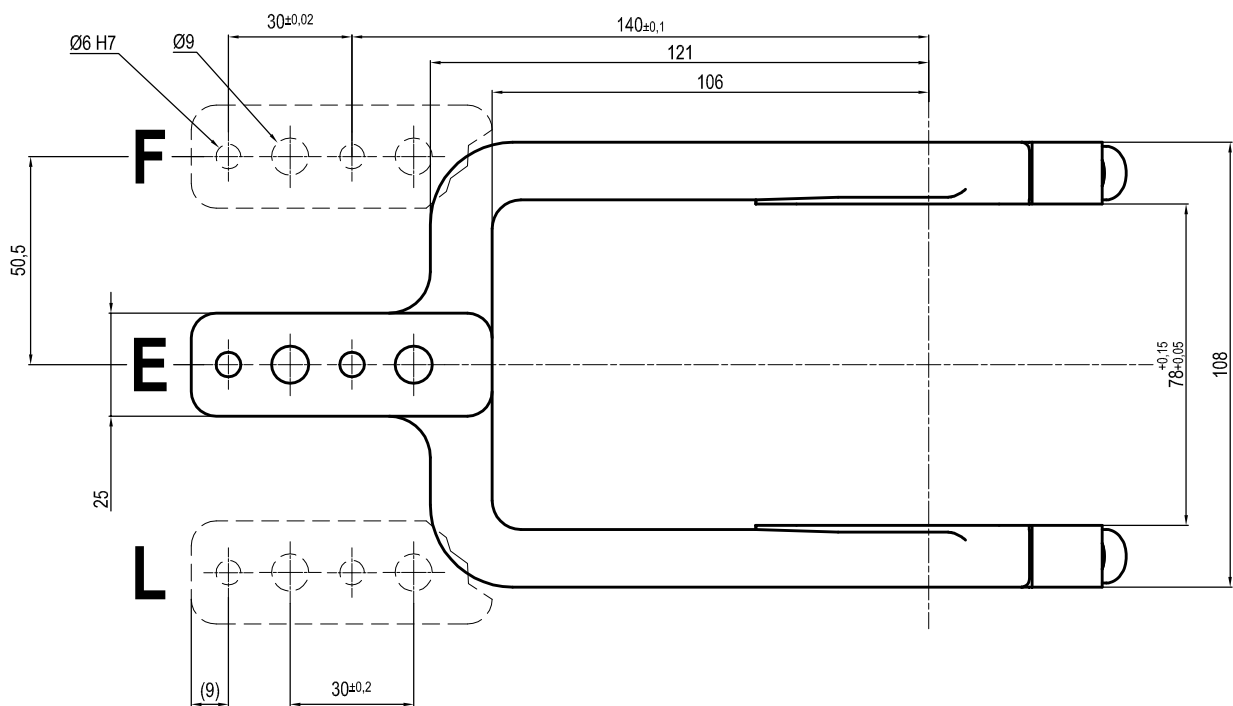
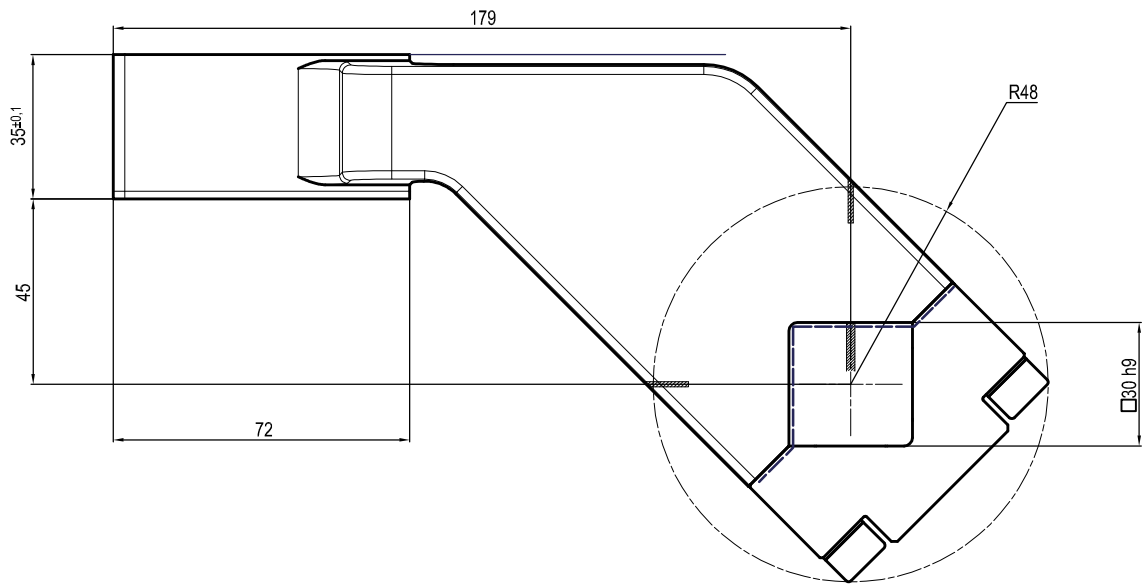


□30 mm, offset 45 mm



LKP-Code	B	B1	B2	B3	B4	L1	L2	L3	L4	R	S	Material
LKP010-2701	45	76	108	25	35	204	165	135	115	47	30	Steel
LKP010-2702	45	76	108	25	35	264	225	135	115	47	30	Steel
LKP010-2703	45	76	108	25	35	324	285	135	115	47	30	Steel

□30 mm, offset 45 mm



Clamp size	Material	Weight
80 mm	Aluminium	0.6 Kg

THE CLAMPING ARM INCLUDES THE NECESSARY SCREWS

Subject to technical modification without notice.