

# LCJ50

Unità di centraggio pneumatica, elevata forza di tiro, singola asta



L	C	J	5	0	0	5	0	E	A	E	R
1	2	3	4		5	6	7	8			

<b>1 Serie</b>	<b>2 Versione</b>	<b>3 Taglia</b>
----------------	-------------------	-----------------

LC = Unità di centraggio

P = Pneumatica standard, elevata forza di tiro, singola asta

50 = Ø 50 mm

<b>4 Corse</b>	<b>5 Sensore di posizione</b>	<b>6 Terminale asta</b>
----------------	-------------------------------	-------------------------

025 = 25 mm  
040 = 40 mm  
060 = 60 mm

D = Pneumatico doppia alimentazione  
N = Senza sensore (con piastra di chiusura)  
E = Sensore elettronico con connettore M12 orientabile

A = Asta per centraggi dislocati  
B = Asta con impronta a chiave  
C = Asta con impronta a chiave a croce, Ø interno 16 mm  
D = Asta per centraggi dislocati con fori spina maggiorati  
E = Asta con impronta chiave a croce, Ø interno 10 mm  
F = Asta con sede fissaggio laterale  
H = Asta con terminale piatto, Ø interno 10 mm  
I = Asta con terminale piatto, Ø interno 12 mm  
L = Asta con foro Ø 12 compatibile con CNOMO LCG  
M = Asta con foro Ø 20 compatibile con CNOMO LCG

<b>7 Orientamento asta</b>	<b>8 Raschiastelo</b>
----------------------------	-----------------------

E = est, standard



O = ovest



N = nord



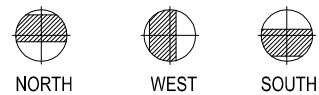
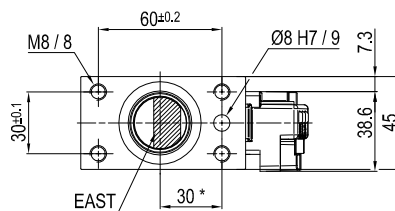
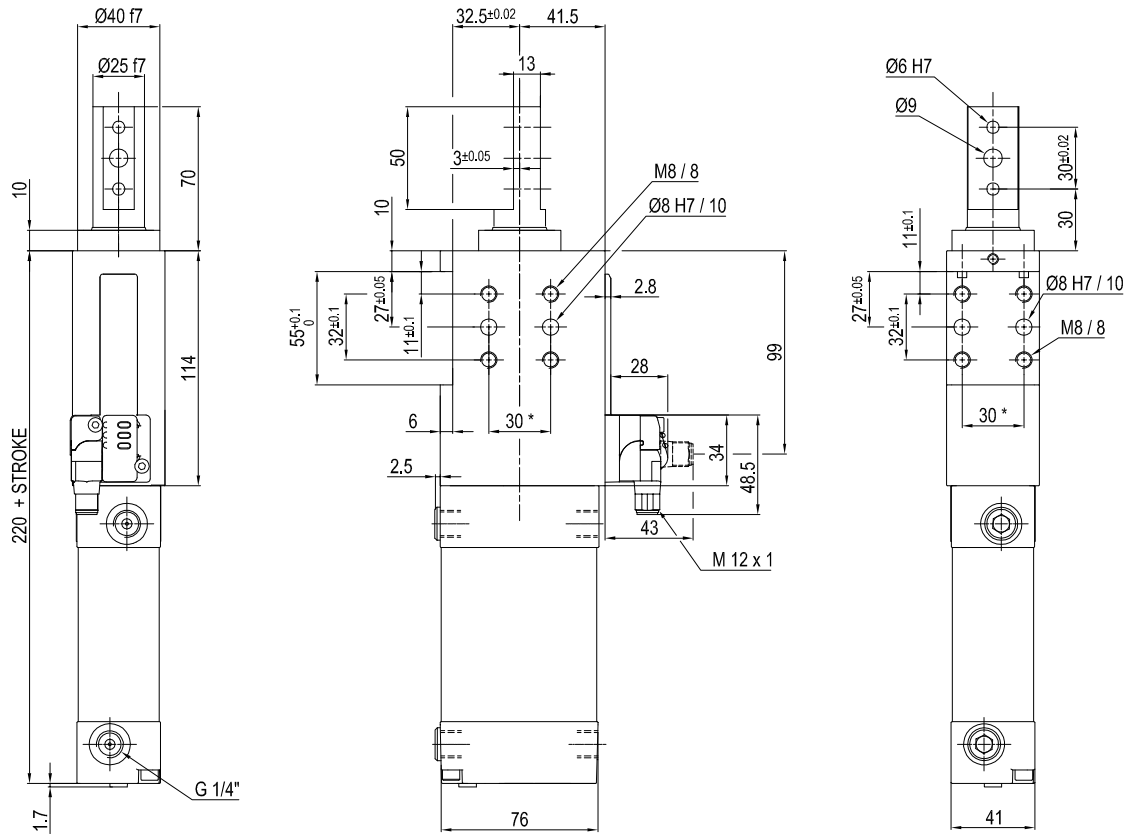
S = sud



R = Raschiastelo metallico

Solo con terminale asta A o D

## UNIVERSAL Retractable locating pin unit with improved pull force



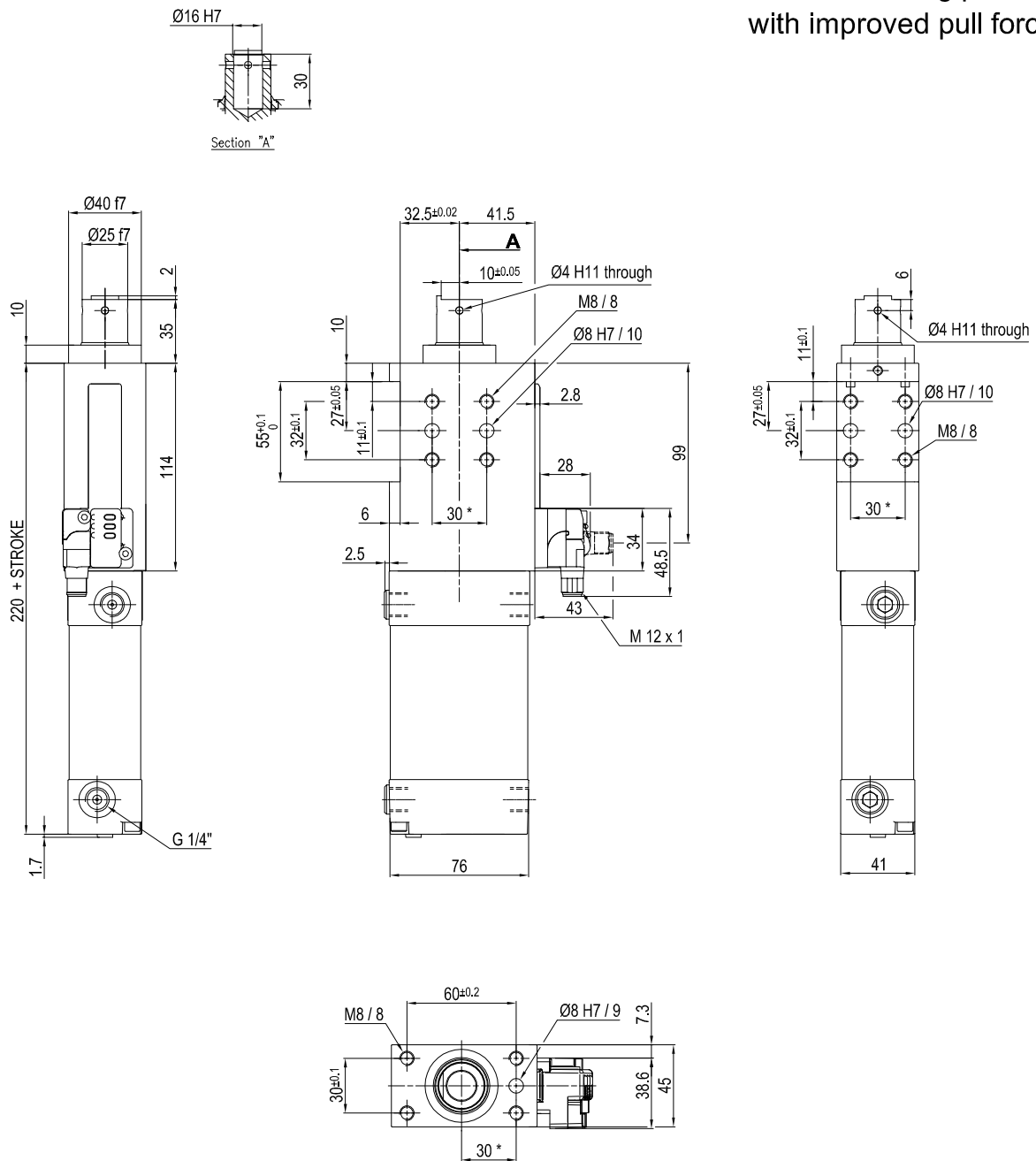
Bore Ø	Max. torque	Max. deflection moment	Weight
50 mm	6 Nm ±0.06°	7.5 Nm ±0.03°	2.3 Kg

Min./max. operating pressure: **0,4 / 0,6 MPa**  
 Operating temperature: **5° + 45° C**  
 Strokes in mm.: **25 - 40 - 60**  
 Electronic sensor with M12 swivel connector that can be orientated at 0° or 90°  
 Supply voltage: 10+30 Vdc  
 IP code: **IP 65**  
 Pneumatic ports on both sides

\* : TOLERANCE BETWEEN DOWEL HOLES ± 0.02, TO SCREW HOLES ± 0.1

Subject to technical modification without notice.

## UNIVERSAL Retractable locating pin unit with improved pull force



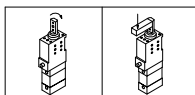
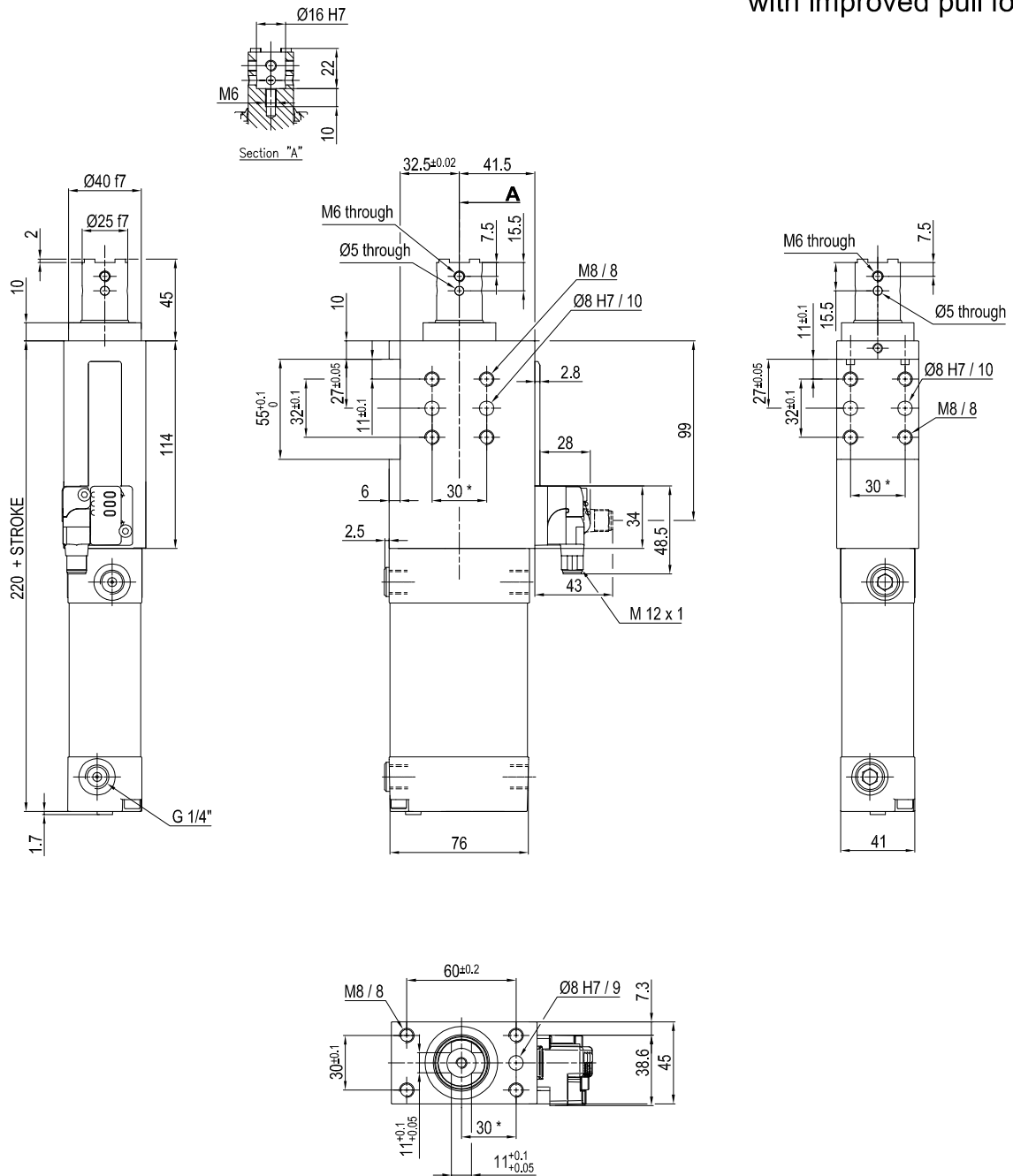
Bore Ø	Max. torque	Max. deflection moment	Weight
50 mm	6 Nm ±0.06°	7.5 Nm ±0.03°	2.3 Kg

Min./max. operating pressure: **0,4 / 0,6 MPa**  
 Operating temperature: **5° + 45° C**  
 Strokes in mm.: **25 - 40 - 60**  
 Electronic sensor with M12 swivel connector that can be orientated at 0° or 90°  
 Supply voltage: 10+30 Vdc  
 IP code: **IP 65**  
 Pneumatic ports on both sides

\* : TOLERANCE BETWEEN DOWEL HOLES ± 0.02, TO SCREW HOLES ± 0.1

Subject to technical modification without notice.

## UNIVERSAL Retractable locating pin unit with improved pull force



Bore Ø	Max. torque	Max. deflection moment	Weight
50 mm	6 Nm ±0.06°	7.5 Nm ±0.03°	2.3 Kg

Min./max. operating pressure: **0,4 / 0,6 MPa**

Operating temperature: **5° + 45° C**

Strokes in mm.: **25 - 40 - 60**

Electronic sensor with M12 swivel connector that can be orientated at 0° or 90°

Supply voltage: 10+30 Vdc

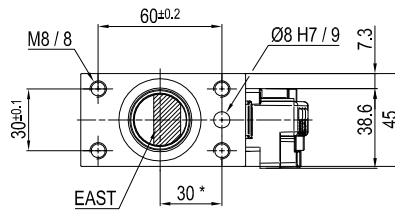
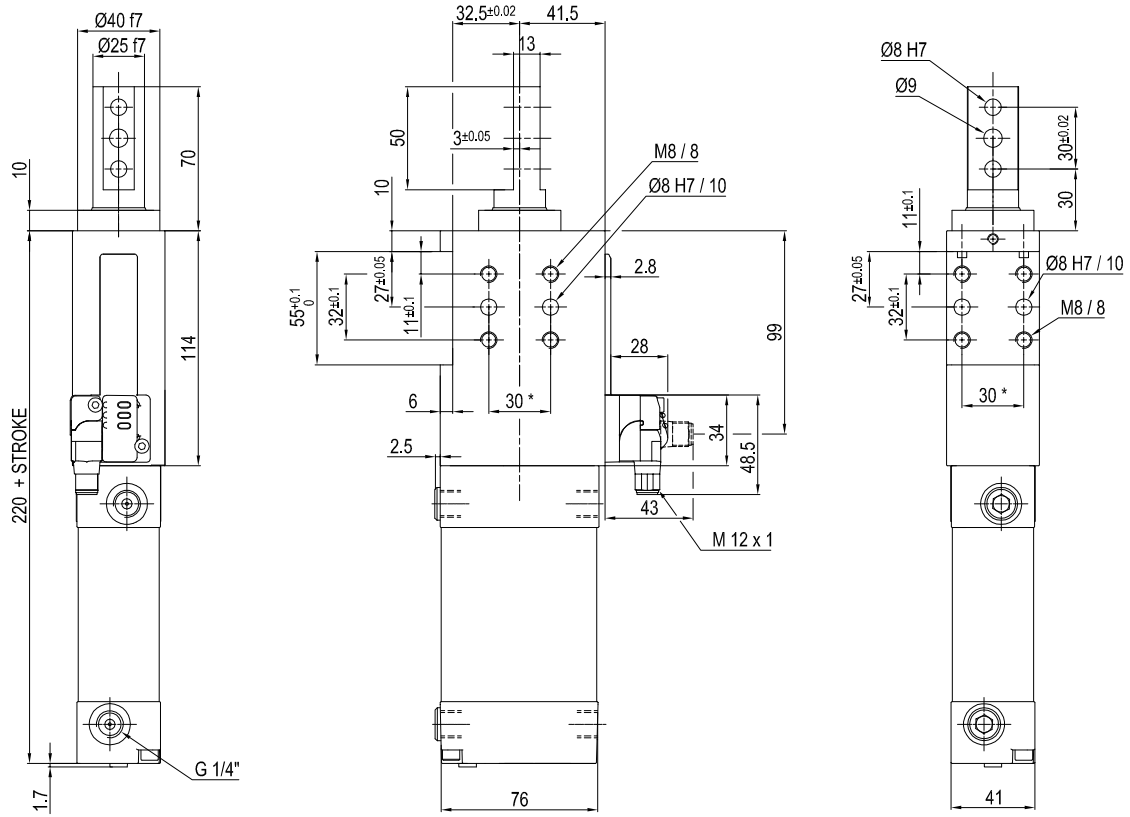
IP code: **IP 65**

Pneumatic ports on both sides

\* : TOLERANCE BETWEEN DOWEL HOLES ± 0.02, TO SCREW HOLES ± 0.1

Subject to technical modification without notice.

## UNIVERSAL Retractable locating pin unit with improved pull force



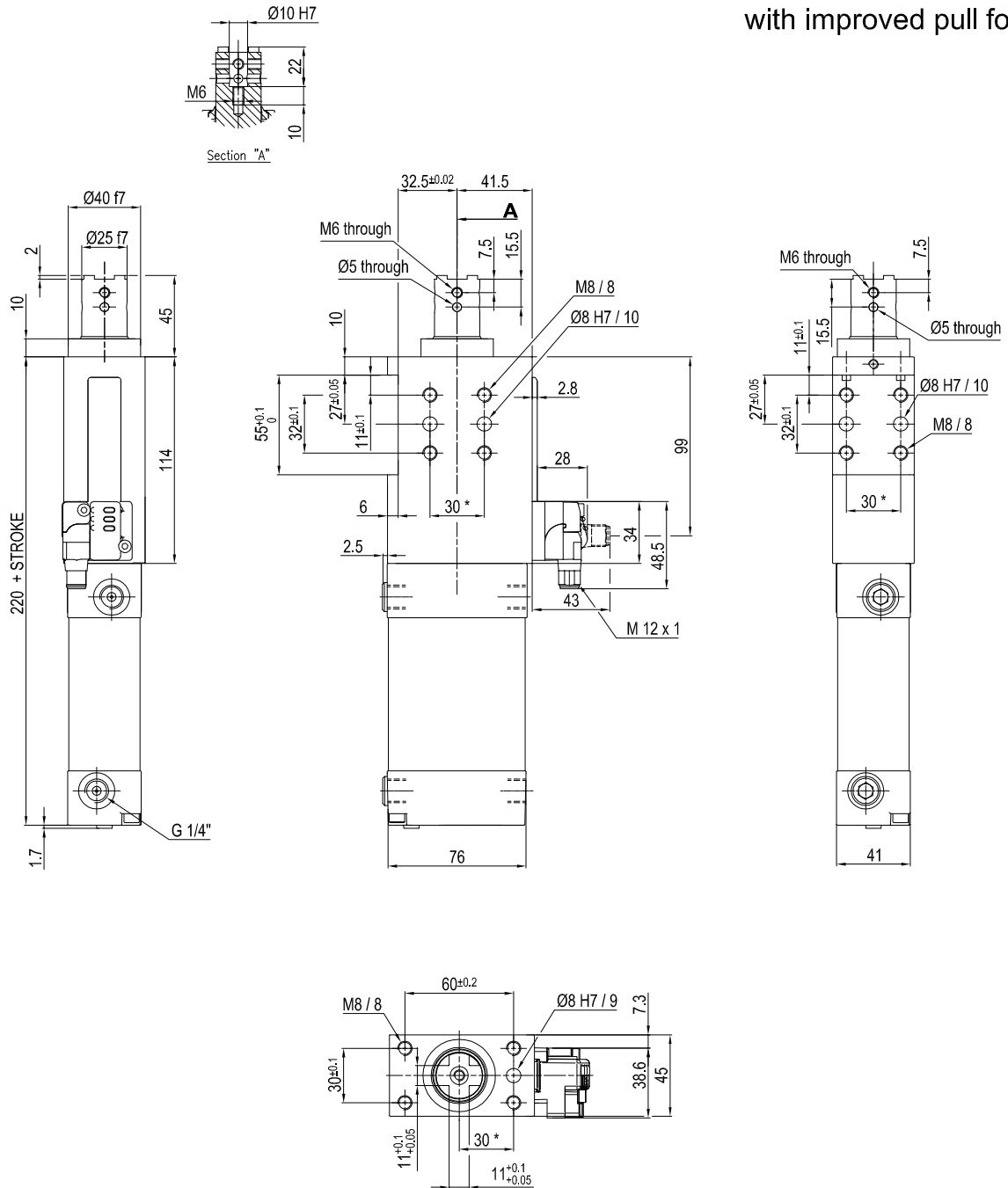
Bore Ø	Max. torque	Max. deflection moment	Weight
50 mm	6 Nm ±0.06°	7.5 Nm ±0.03°	2.3 Kg

Min./max. operating pressure: **0,4 / 0,6 MPa**  
 Operating temperature: **5° + 45° C**  
 Strokes in mm.: **25 - 40 - 60**  
 Electronic sensor with M12 swivel connector that can be orientated at 0° or 90°  
 Supply voltage: 10+30 Vdc  
 IP code: **IP 65**  
 Pneumatic ports on both sides

\* : TOLERANCE BETWEEN DOWEL HOLES ± 0.02, TO SCREW HOLES ± 0.1

Subject to technical modification without notice.

## UNIVERSAL Retractable locating pin unit with improved pull force



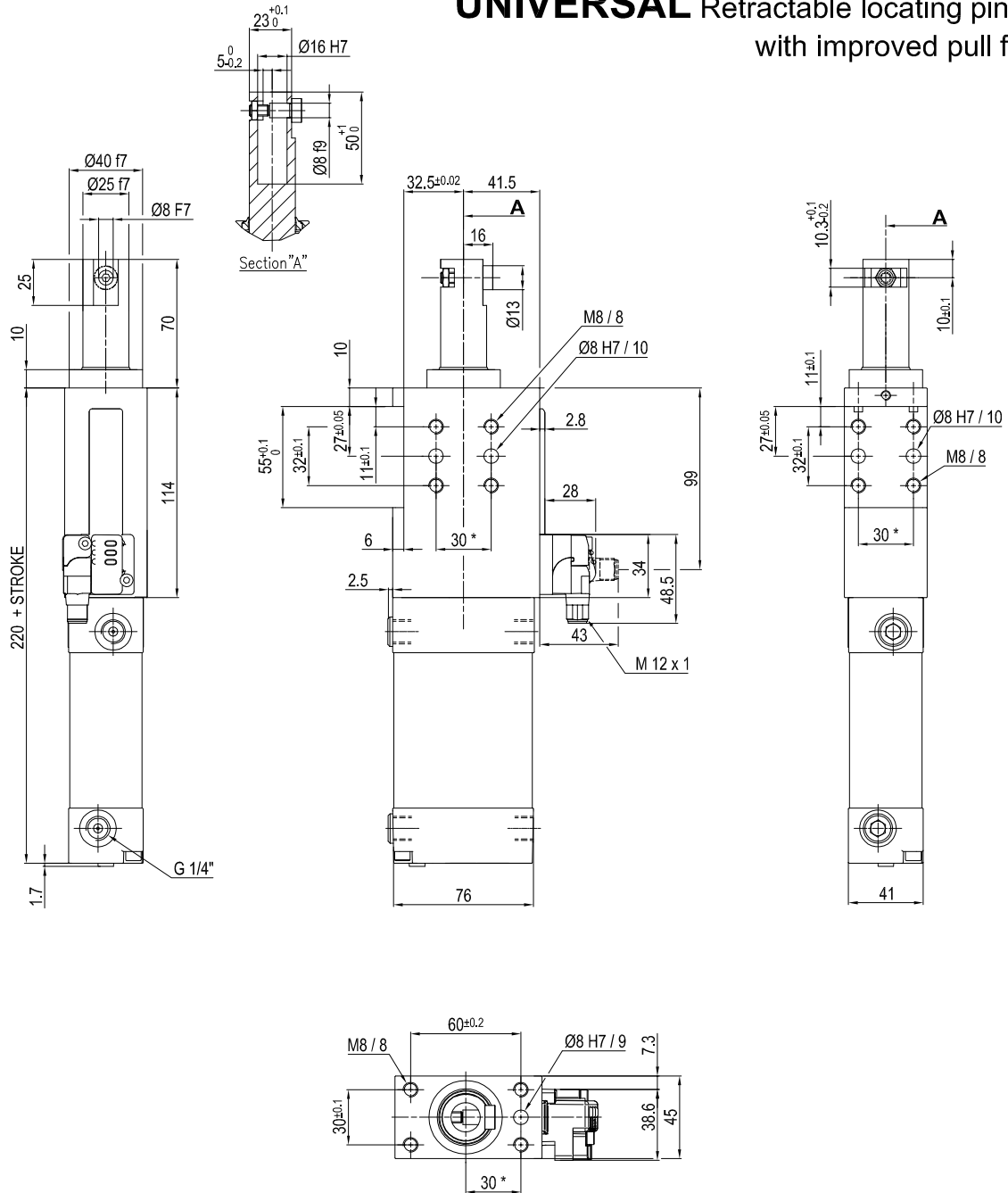
Bore Ø	Max. torque	Max. deflection moment	Weight
50 mm	6 Nm ±0.06°	7.5 Nm ±0.03°	2.3 Kg

Min./max. operating pressure: **0,4 / 0,6 MPa**  
 Operating temperature: **5° + 45° C**  
 Strokes in mm.: **25 - 40 - 60**  
 Electronic sensor with M12 swivel connector that can be orientated at 0° or 90°  
 Supply voltage: 10+30 Vdc  
 IP code: **IP 65**  
 Pneumatic ports on both sides

\* : TOLERANCE BETWEEN DOWEL HOLES ± 0.02, TO SCREW HOLES ± 0.1

Subject to technical modification without notice.

## UNIVERSAL Retractable locating pin unit with improved pull force



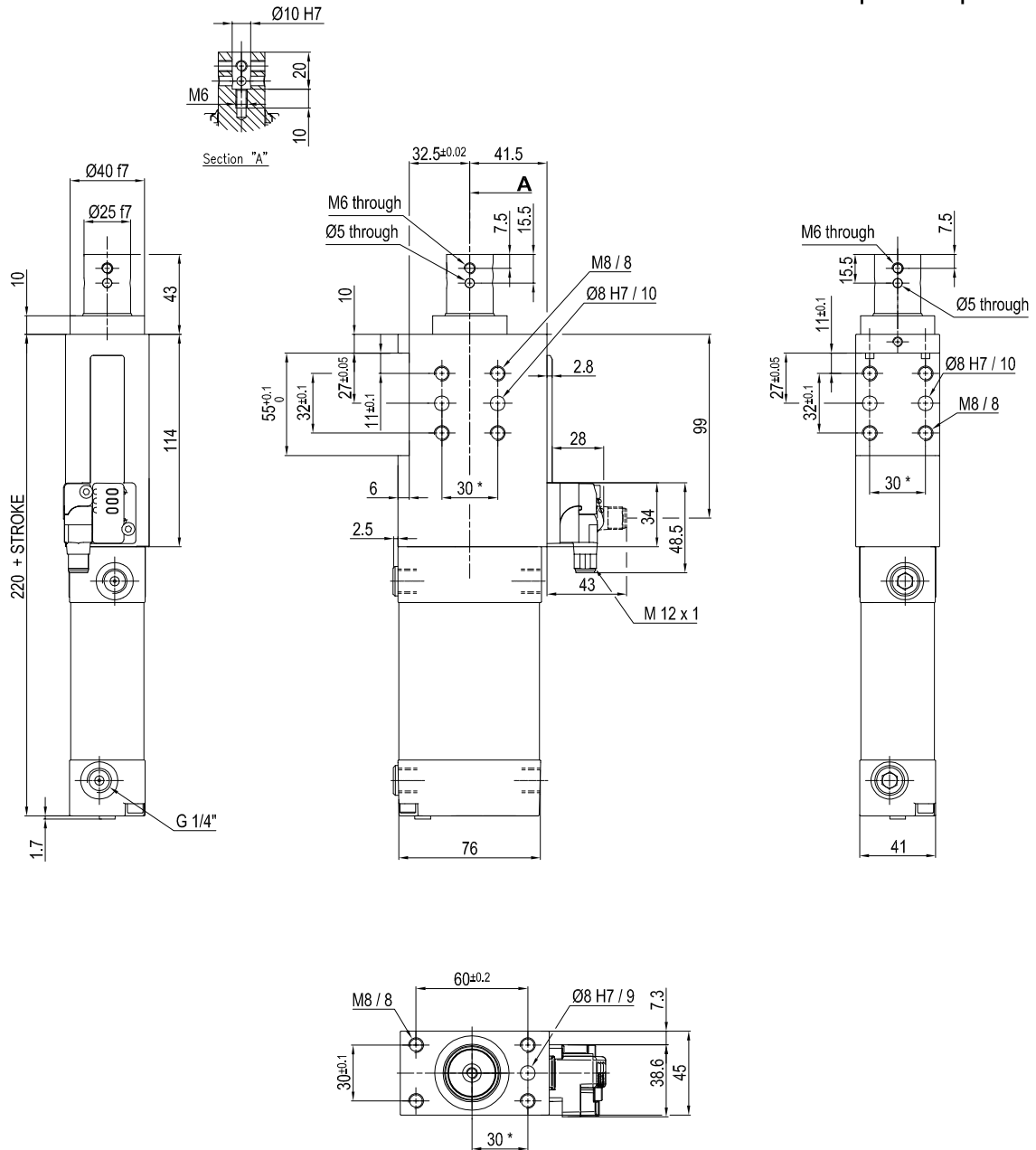
Bore Ø	Max. torque	Max. deflection moment	Weight
50 mm	6 Nm ±0.06°	7.5 Nm ±0.03°	2.3 Kg

Min./max. operating pressure: **0,4 / 0,6 MPa**  
 Operating temperature: **5° + 45° C**  
 Strokes in mm.: **25 - 40 - 60**  
 Electronic sensor with M12 swivel connector that can be orientated at 0° or 90°  
 Supply voltage: 10+30 Vdc  
 IP code: **IP 65**  
 Pneumatic ports on both sides

\* : TOLERANCE BETWEEN DOWEL HOLES ± 0.02, TO SCREW HOLES ± 0.1

Subject to technical modification without notice.

## UNIVERSAL Retractable locating pin unit with improved pull force



Bore $\varnothing$	Max. torque	Max. deflection moment	Weight
50 mm	6 Nm $\pm 0.06^\circ$	7.5 Nm $\pm 0.03^\circ$	2.3 Kg

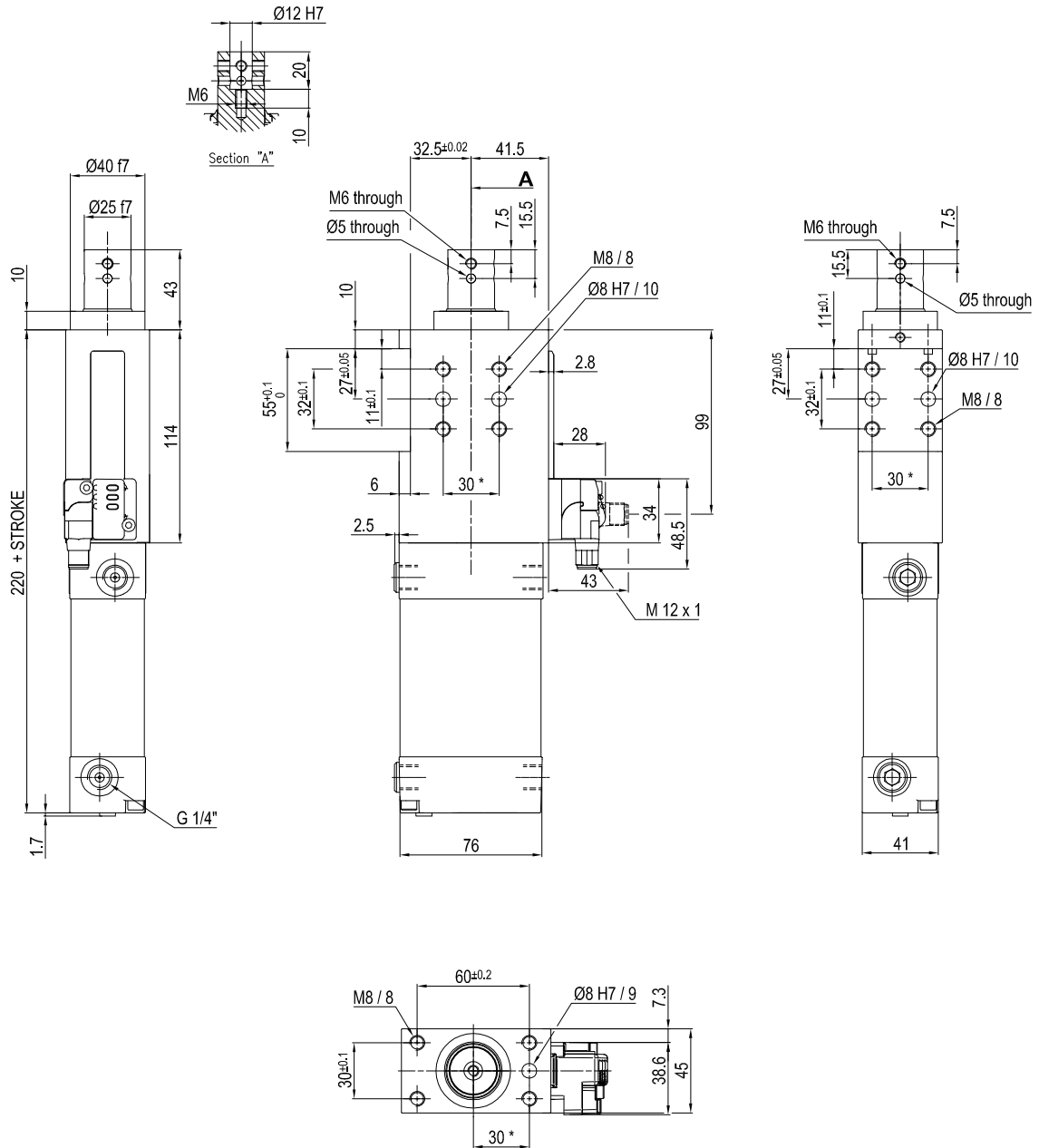
Min./max. operating pressure: **0,4 / 0,6 MPa**  
 Operating temperature: **5° + 45° C**  
 Strokes in mm.: **25 - 40 - 60**  
 Electronic sensor with M12 swivel connector that can be orientated at 0° or 90°  
 Supply voltage: 10+30 Vdc  
 IP code: **IP 65**  
 Pneumatic ports on both sides

\* : TOLERANCE BETWEEN DOWEL HOLES  $\pm 0.02$ , TO SCREW HOLES  $\pm 0.1$

Subject to technical modification without notice.



## UNIVERSAL Retractable locating pin unit with improved pull force



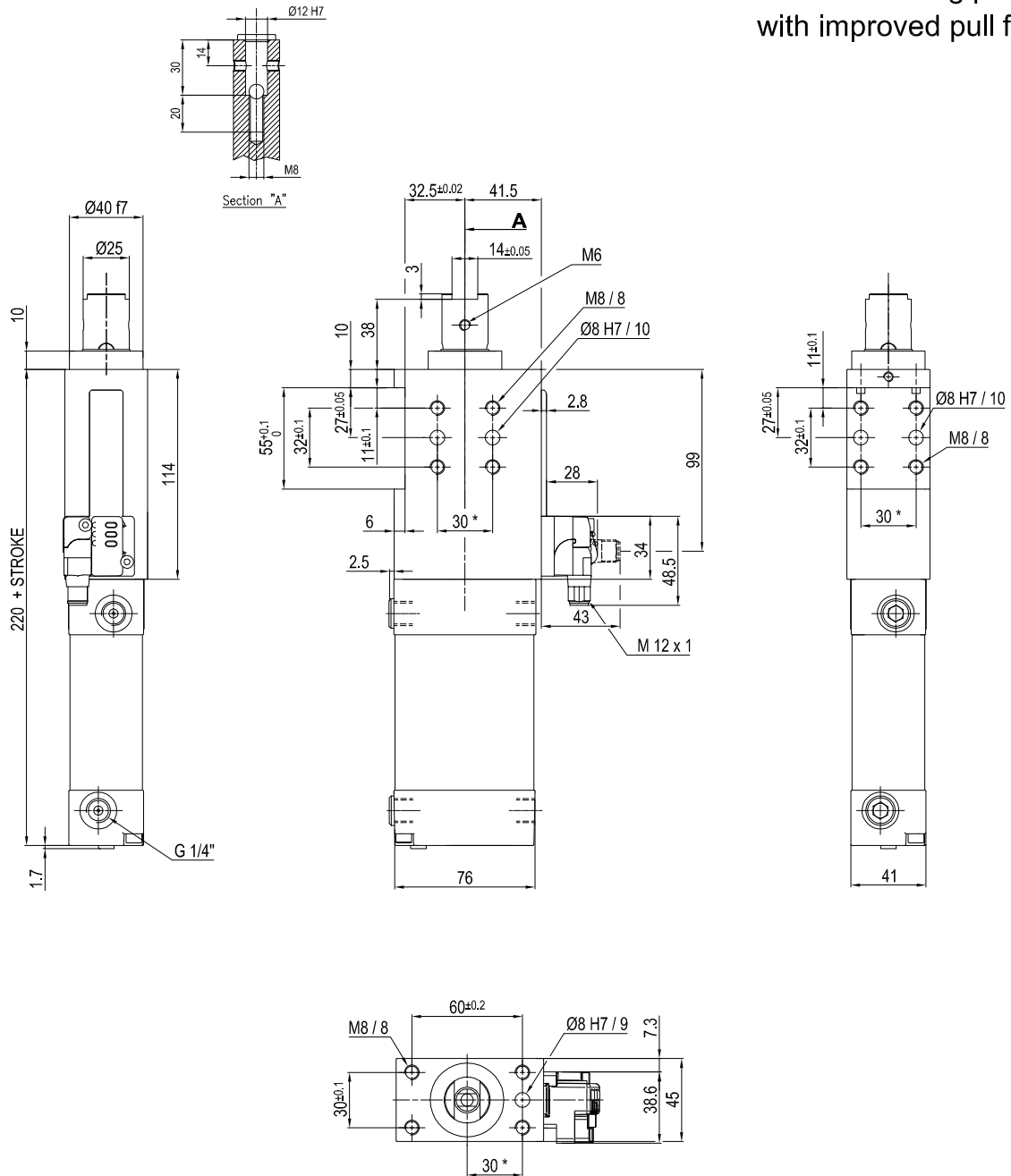
Bore Ø	Max. torque	Max. deflection moment	Weight
50 mm	6 Nm ±0.06°	7.5 Nm ±0.03°	2.3 Kg

Min./max. operating pressure: **0,4 / 0,6 MPa**  
 Operating temperature: **5° + 45° C**  
 Strokes in mm.: **25 - 40 - 60**  
 Electronic sensor with M12 swivel connector that can be orientated at 0° or 90°  
 Supply voltage: 10+30 Vdc  
 IP code: **IP 65**  
 Pneumatic ports on both sides

\* : TOLERANCE BETWEEN DOWEL HOLES ± 0.02, TO SCREW HOLES ± 0.1

Subject to technical modification without notice.

## UNIVERSAL Retractable locating pin unit with improved pull force



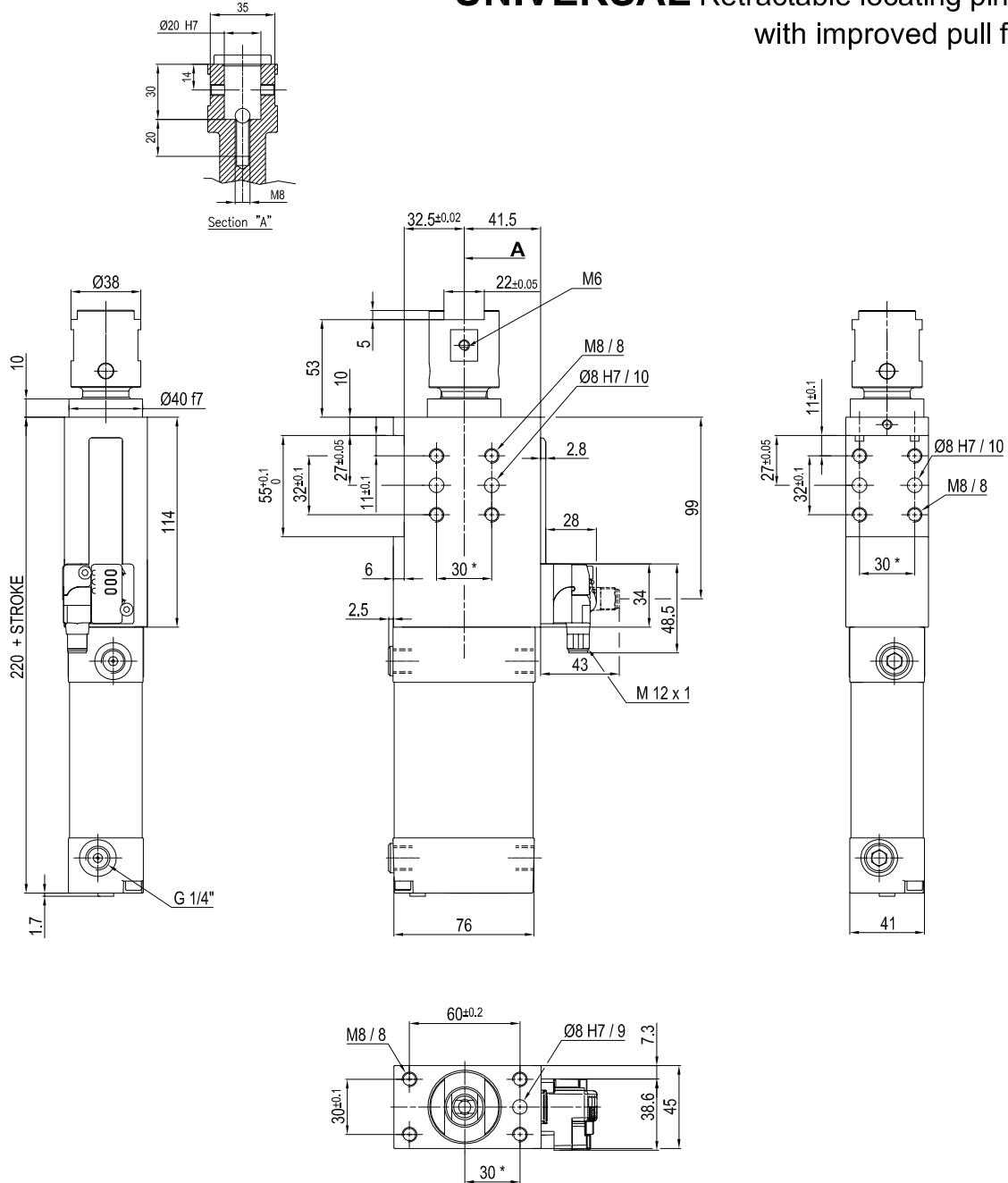
Bore Ø	Max. torque	Max. deflection moment	Weight
50 mm	6 Nm ±0.06°	7.5 Nm ±0.03°	2.3 Kg

Min./max. operating pressure: **0,4 / 0,6 MPa**  
 Operating temperature: **5° + 45° C**  
 Strokes in mm.: **25 - 40 - 60**  
 Electronic sensor with M12 swivel connector that can be orientated at 0° or 90°  
 Supply voltage: 10+30 Vdc  
 IP code: **IP 65**  
 Pneumatic ports on both sides

\* : TOLERANCE BETWEEN DOWEL HOLES ± 0.02, TO SCREW HOLES ± 0.1

Subject to technical modification without notice.

## UNIVERSAL Retractable locating pin unit with improved pull force



Bore Ø	Max. torque	Max. deflection moment	Weight
50 mm	6 Nm ±0.06°	7.5 Nm ±0.03°	2.3 Kg

Min./max. operating pressure: **0,4 / 0,6 MPa**  
 Operating temperature: **5° + 45° C**  
 Strokes in mm.: **25 - 40 - 60**  
 Electronic sensor with M12 swivel connector that can be orientated at 0° or 90°  
 Supply voltage: 10+30 Vdc  
 IP code: **IP 65**  
 Pneumatic ports on both sides

\* : TOLERANCE BETWEEN DOWEL HOLES ± 0.02, TO SCREW HOLES ± 0.1

Subject to technical modification without notice.