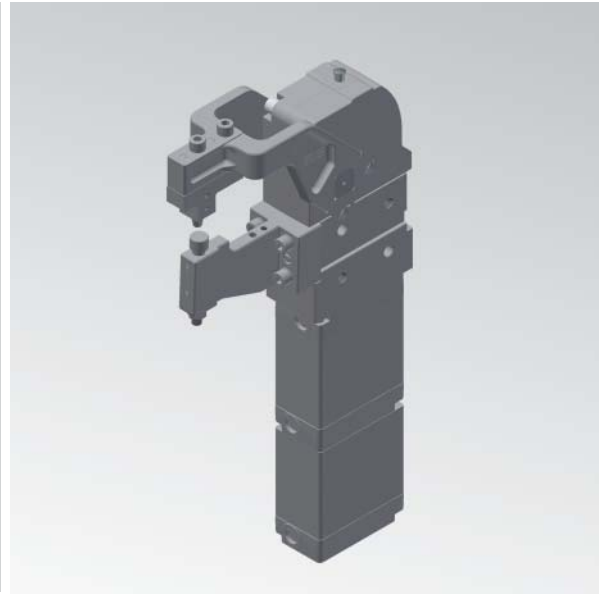


PRD0050

Marking units

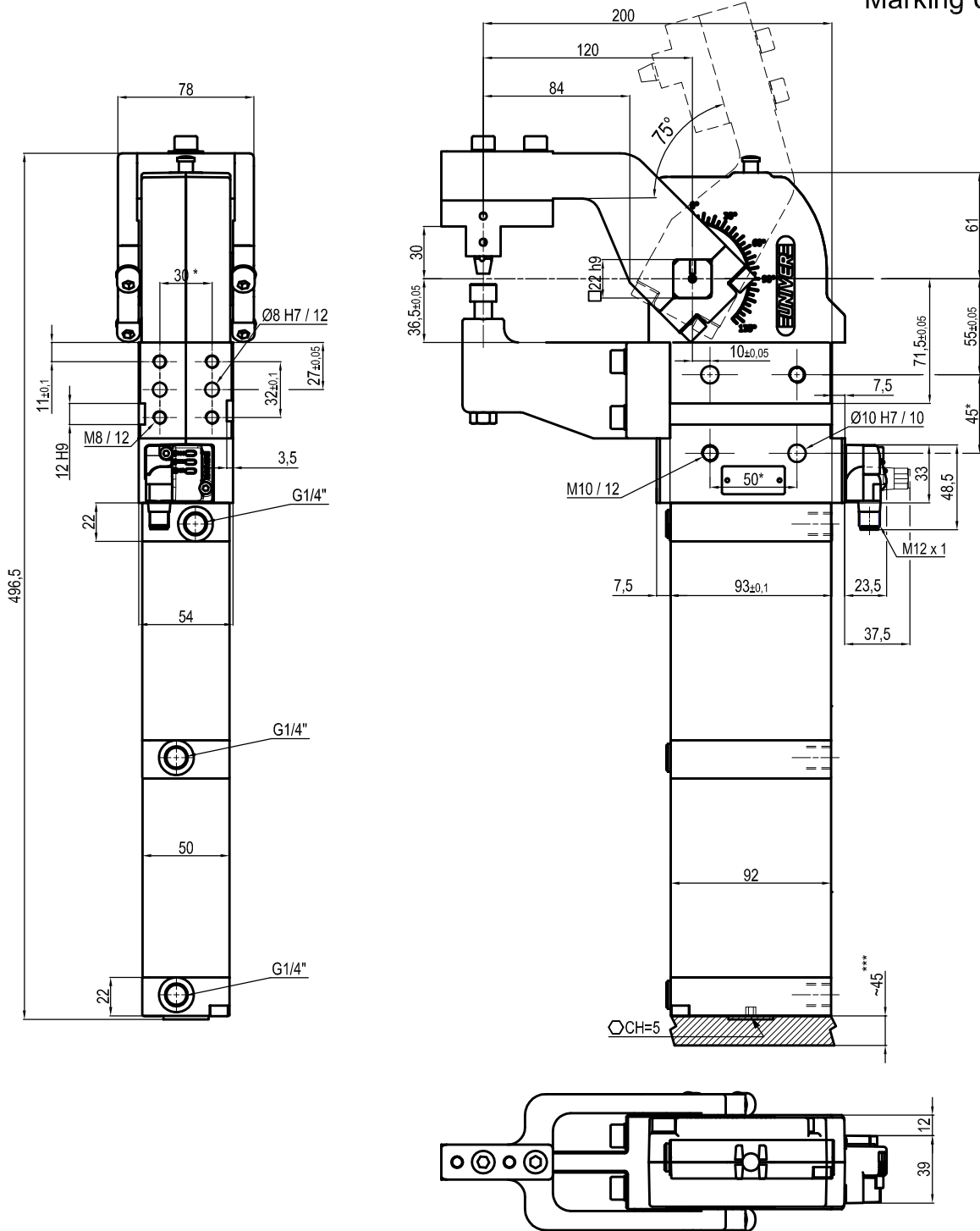


| | | | | | | | | | | | | | | |
|---|---|---|---|---|---|---|---|---|---|---|---|---|---|---|
| P | R | D | 0 | 0 | 5 | 0 | 0 | 8 | 7 | 5 | M | - | - | - |
| 1 | | 2 | | | | 3 | | 4 | | 5 | 6 | | 7 | |

| | | |
|---------------------|---------------------------------------|---------------|
| 1 Series | 2 Version | 3 Size |
| PRD = Marking units | 0050 = 500 Nm Ø 63 mm tandem cylinder | 08 = 84 mm |

| | |
|------------------------------|---|
| 4 Opening angles | 5 Marking head mounting position |
| 75 = 75° fixed opening angle | M = on the moving part F = on the fixed part |

| | |
|---|--|
| 6 Progressive numbering | 7 Connections |
| Progressive numbers are assigned by the Sales dept. | _ = if not specified, on sensor side F = front side |



| Size | Cylinder | Moment 0,55 MPa | Marking force 0,5 MPa | Weight | Air / cycle (0,5 MPa) |
|------|----------|--------------------|-----------------------------|--------|--------------------------|
| - | 63 | 500 Nm | 4 KN | 9,7 Kg | 2,6 NL |

* : TOLERANCE BETWEEN DOWEL HOLES ± 0.02 , TO SCREW HOLES ± 0.1

- Min./Max. operating pressure: **0,4 / 0,6 MPa**
- Operating temperature: **5° + 45° C**
- Opening angle: **75°**
- Possibility to orientate the marking surface
- Pneumatic ports on both sides
- Electronic 24 Vdc sensor with M12 swivel connector that can be orientated at 0° or 90°
- IP code: **IP 65**