

UBM80

Unità di bloccaggio UNIVERSAL



U	B	M	8	0	N	N	E
1	2	3	4	5	6		

1 Serie

UB = Unità di bloccaggio UNIVERSAL con regolazione continua angolo d'apertura da: **0° a 135° Max**
L'angolo di apertura può variare a seconda della posizione e della tipologia del pressore

2 Versione

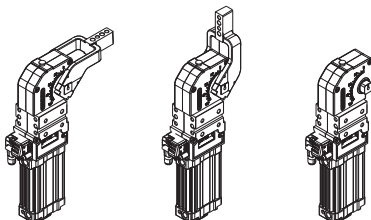
M = Pneumatica con leva manuale

3 Taglia

80 = Ø 80 mm

4 Posizione pressore

V = 90° **O** = 180° **N** = Senza pressore



5 Tipo di pressore

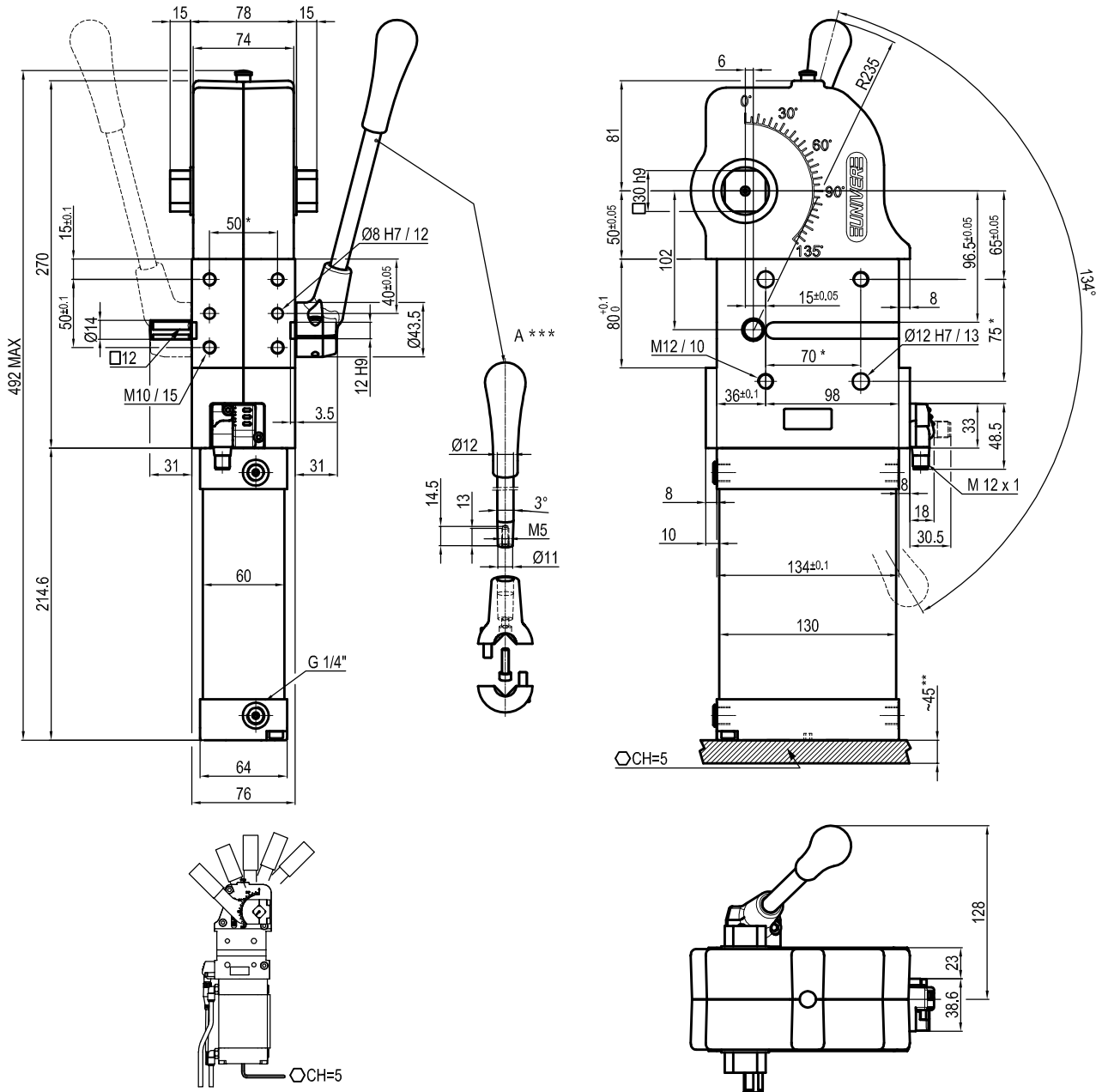
C = Centrale, 20 mm offset (standard)
D = Destro, 20 mm offset (standard)
S = Sinistro, 20 mm offset (standard)
E = Centrale, 45 mm offset
F = Destro, 45 mm offset
L = Sinistro, 45 mm offset
N = Senza pressore
X = Centrale con fori maggiorati Ø 8 H7, 20 mm offset
Y = Destro con fori maggiorati Ø H7, 20 mm offset
Z = Sinistro con fori maggiorati Ø 8 H7, 20 mm offset

6 Sensore di posizione

N = Senza sensore (con piastra di chiusura)
E = Sensore elettronico con connettore M12 orientabile

Disponibile versione doppio pressore
UBM80ODPE - UBM80VDPE

UNIVERSAL Pneumatic clamp with manual lever



Bore Ø	Holding moment	Clamping moment (0.5MPa)	Weight (Clamping arm not included)
80 mm	4000 Nm	1100 Nm	10.3 Kg

Min./Max. operating pressure: **0,4 / 0,6 MPa**

Operating temperature: **5° + 45° C**

Opening angle: **adjustable**

Without arm

With manual lever

Electronic sensor with M12 swivel connector that can be orientated at 0° or 90°

Supply voltage: 10+30 Vdc

IP code: **IP 65**

Pneumatic ports on both sides

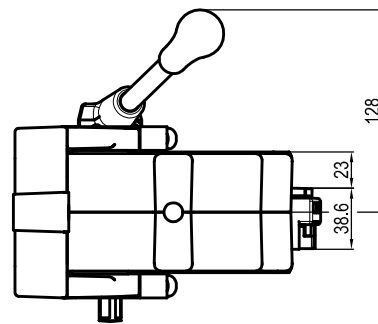
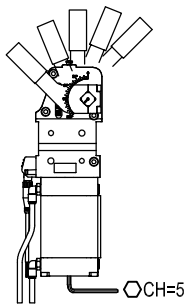
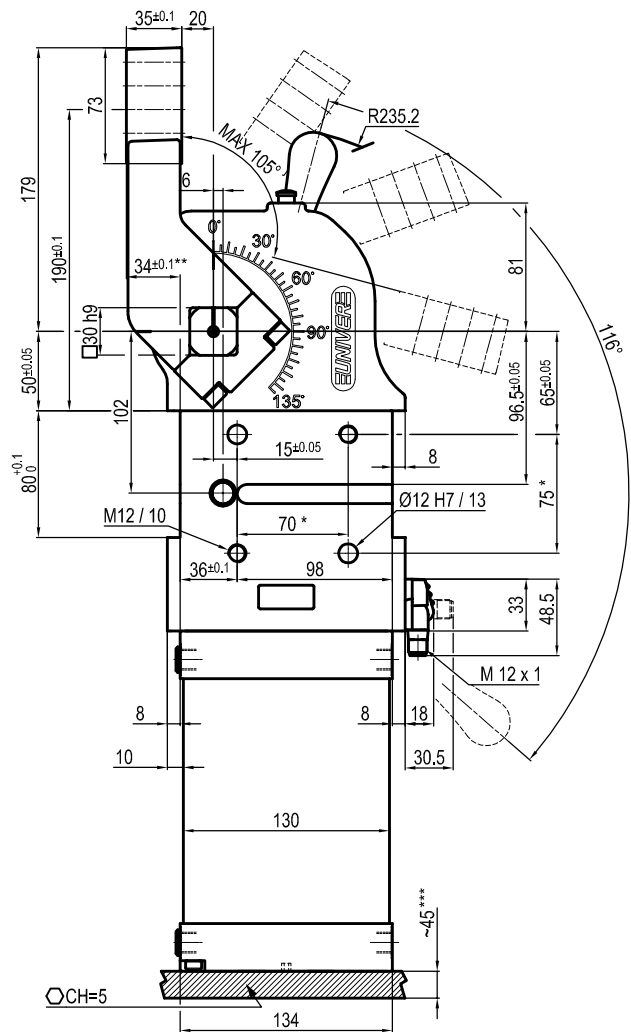
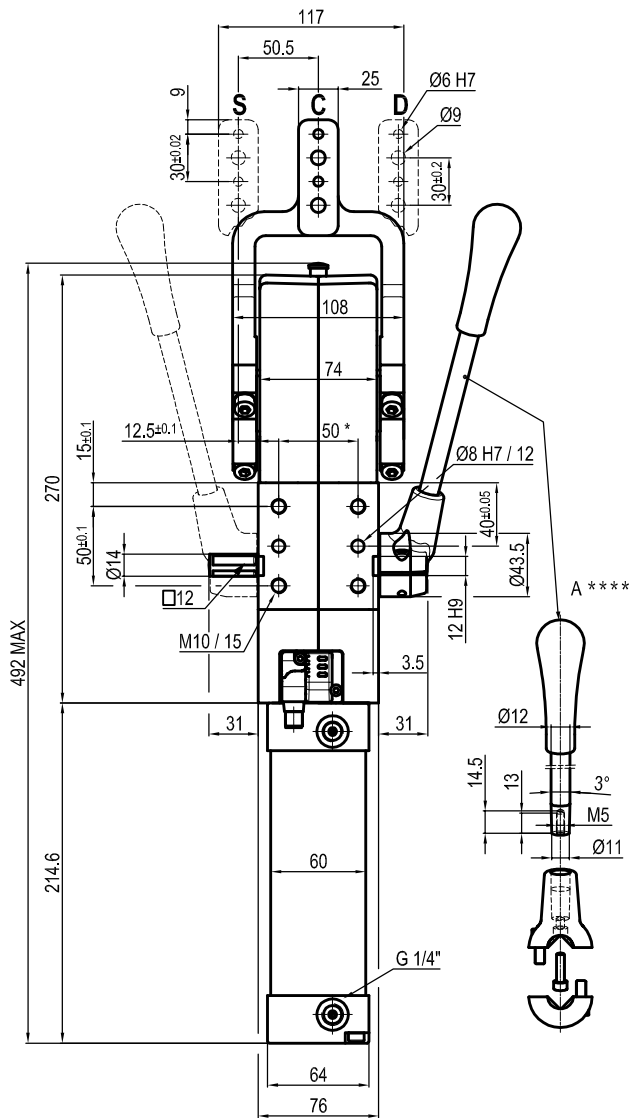
* : TOLERANCE BETWEEN DOWELS ± 0.02, TO SCREW HOLES ± 0.1

** : AREA TO ACCESS ANGLE ADJUSTMENT

*** : DIMENSIONS TO BE RESPECTED IN CASE OTHER MANUAL LEVERS ARE USED

Subject to technical modifications without notice

UNIVERSAL Pneumatic clamp with manual lever



Bore Ø	Holding moment	Clamping moment (0.5 MPa)	Weight (Clamping arm not included)
80 mm	4000 Nm	1100 Nm	10.3 Kg

Min./Max. operating pressure: **0,4 / 0,6 MPa**

Operating temperature: **5° + 45° C**

Opening angle: **adjustable from 0° to 105°**

With manual lever

Electronic sensor with M12 swivel connector that can be orientated at 0° or 90°

Supply voltage: 10÷30 Vdc

IP code: **IP 65**

Pneumatic ports on both sides

* : TOLERANCE BETWEEN DOWELS ± 0.02, TO SCREW HOLES ± 0.1

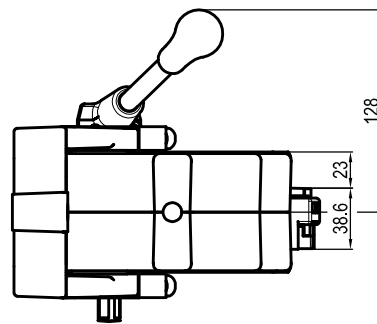
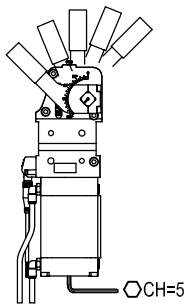
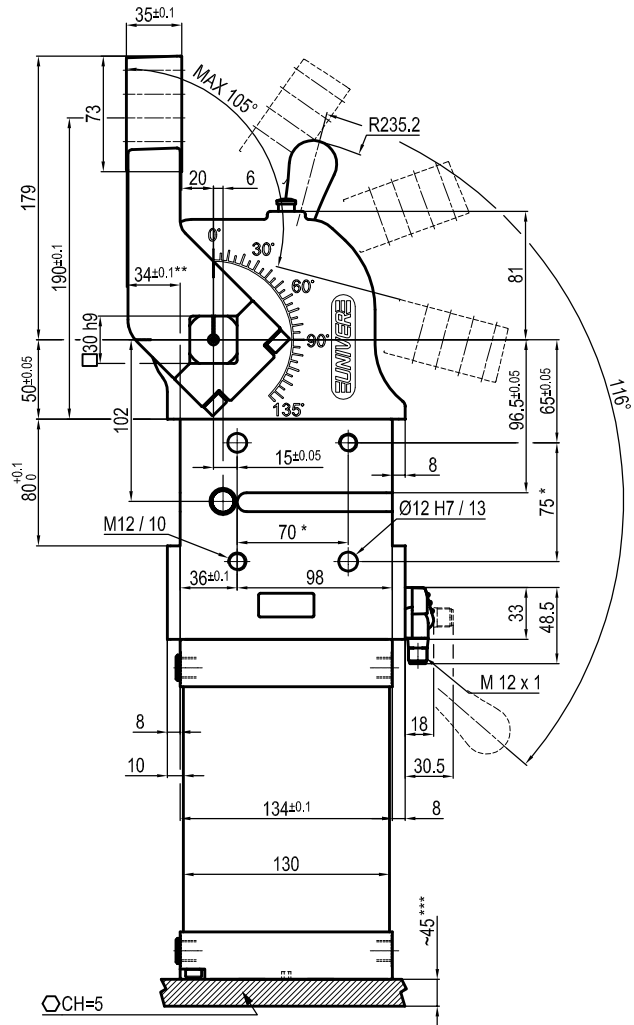
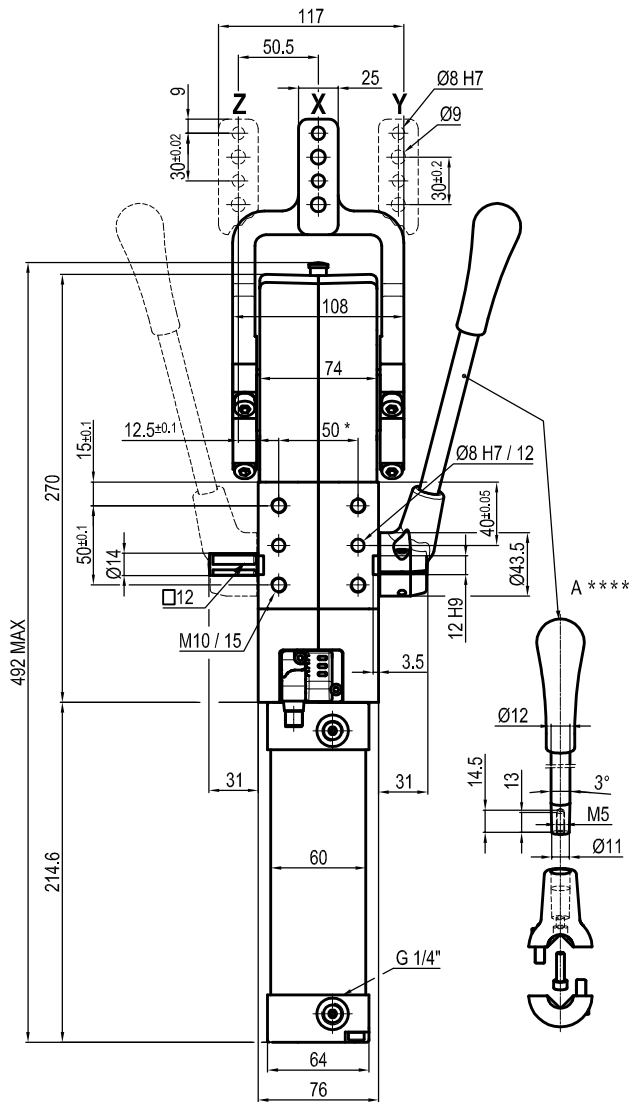
** : TOLERANCE AT 80 mm FROM PIVOT POINT

*** : AREA TO ACCES ANGLE ADJUSTMENT

**** : DIMENSIONS TO BE RESPECTED IN CASE OTHER MANUAL LEVERS ARE USED

Subject to technical modifications without notice

UNIVERSAL Pneumatic clamp with manual lever (arm style X-Y-Z)



Bore Ø	Holding moment	Clamping moment (0.5 MPa)	Weight (Clamping arm not included)
80 mm	4000 Nm	1100 Nm	10.3 Kg

Min./Max. operating pressure: **0,4 / 0,6 MPa**

Operating temperature: **5° + 45° C**

Opening angle: **adjustable from 0° to 105°**

With manual lever

Electronic sensor with M12 swivel connector that can be orientated at 0° or 90°

Supply voltage: 10±30 Vdc

IP code: **IP 65**

Pneumatic ports on both sides

* : TOLERANCE BETWEEN DOWELS ± 0.02, TO SCREW HOLES ± 0.1

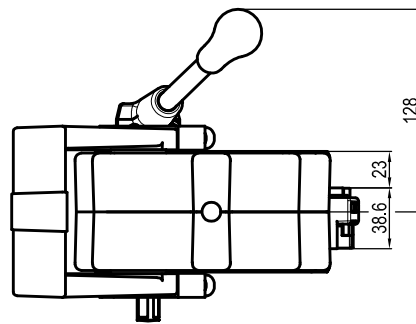
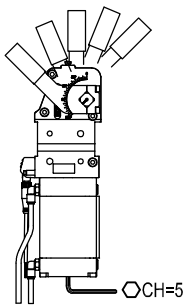
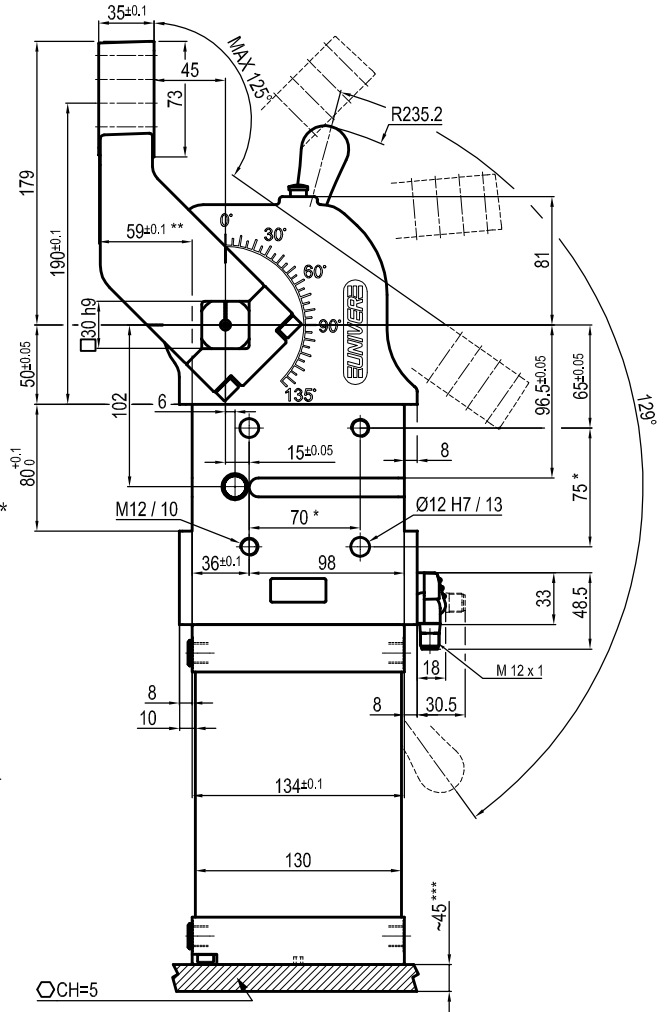
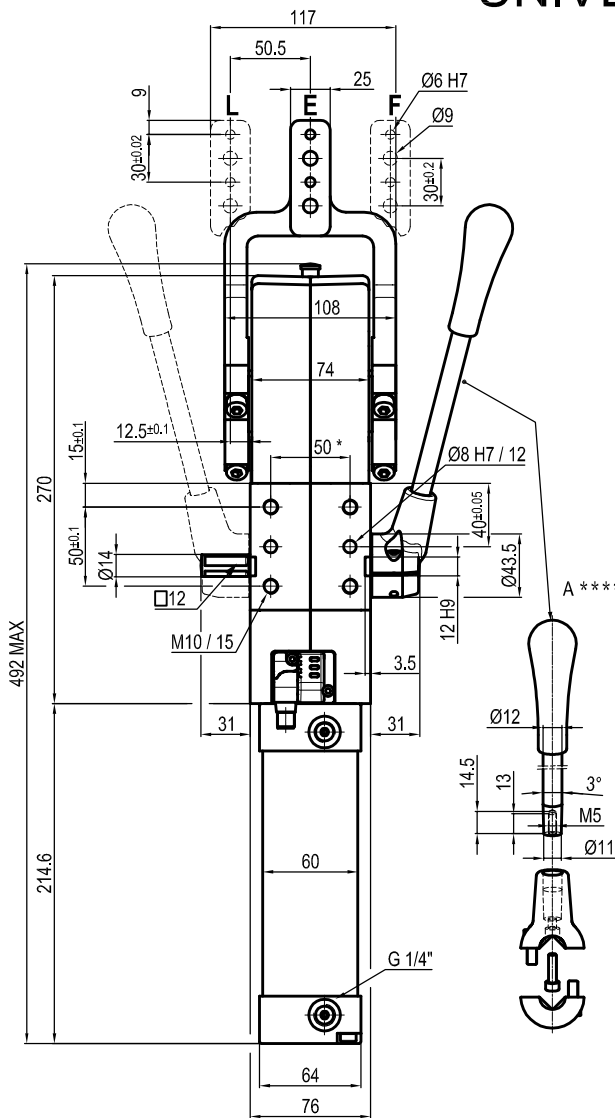
** : TOLERANCE AT 80 mm FROM PIVOT POINT

*** : AREA TO ACCES ANGLE ADJUSTMENT

**** : DIMENSIONS TO BE RESPECTED IN CASE OTHER MANUAL LEVERS ARE USED

Subject to technical modifications without notice

UNIVERSAL Pneumatic clamp with manual lever arm at 45 mm from pivot point (arm style E-L-F)



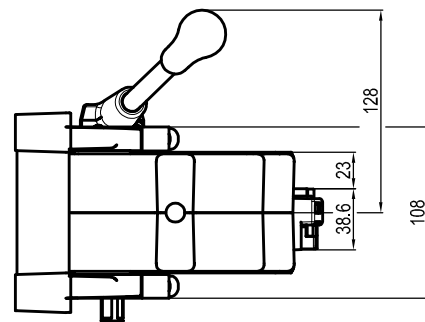
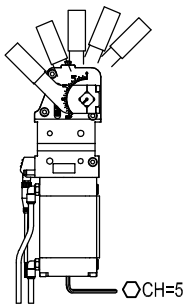
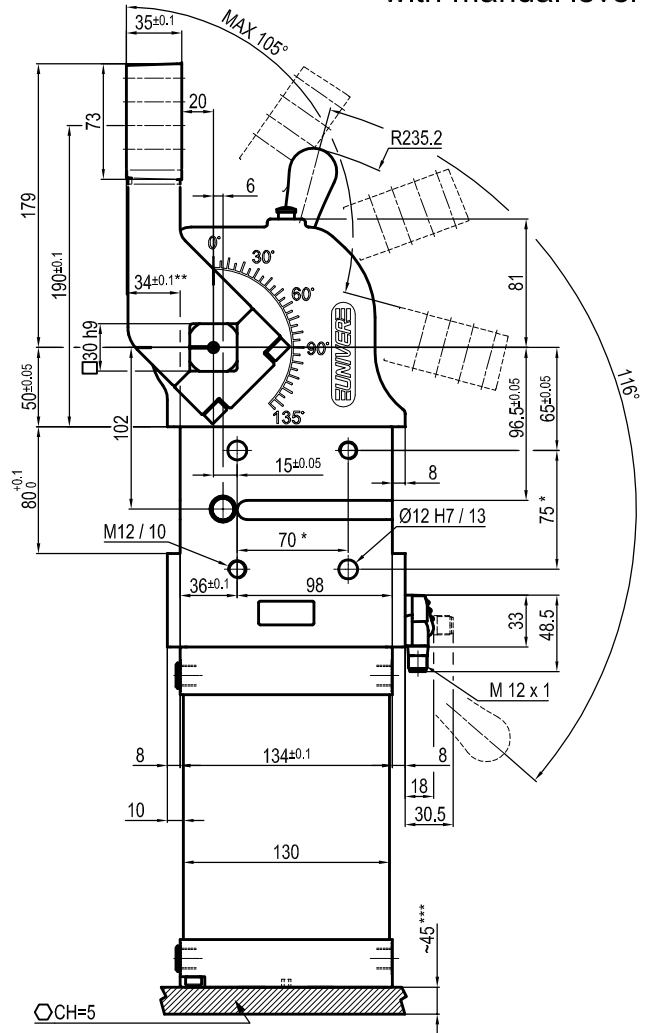
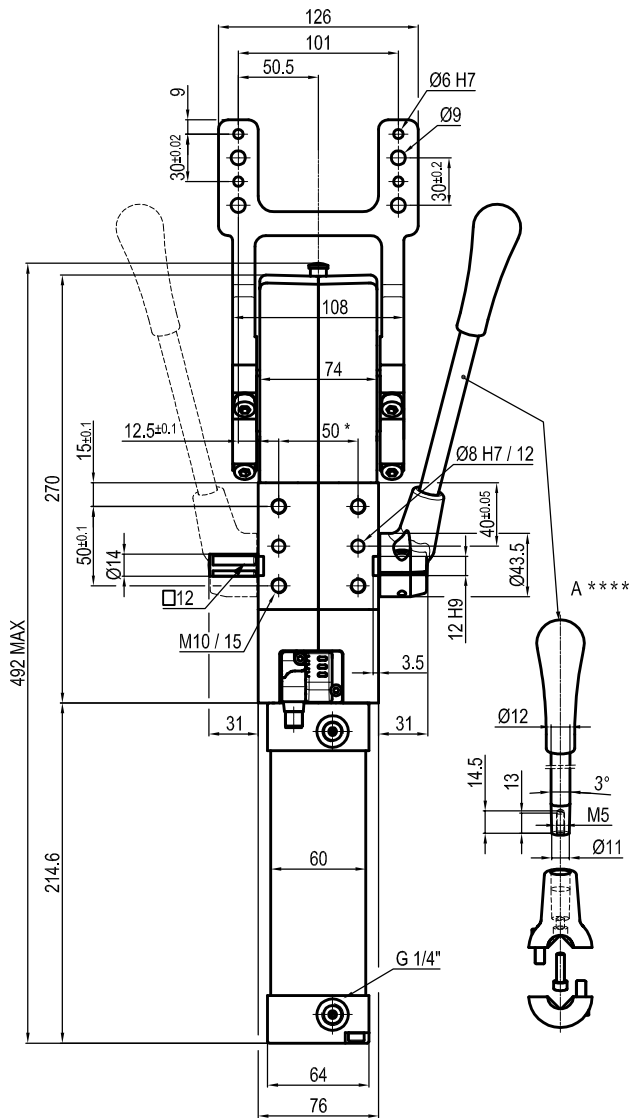
Bore Ø	Holding moment	Clamping moment (0.5 MPa)	Weight (Clamping arm not included)
80 mm	4000 Nm	1100 Nm	10.3 Kg

Min./Max. operating pressure: **0,4 / 0,6 MPa**
 Operating temperature: **5° + 45° C**
 Opening angle: **adjustable from 0° to 125°**
 With manual lever
 Electronic sensor with M12 swivel connector that can be orientated at 0° or 90°
 Supply voltage: 10±30 Vdc
 IP code: **IP 65**
 Pneumatic ports on both sides

* : TOLERANCE BETWEEN DOWELS ± 0.02, TO SCREW HOLES ± 0.1
 ** : TOLERANCE AT 80 mm FROM PIVOT POINT
 *** : AREA TO ACCES ANGLE ADJUSTMENT
 **** : DIMENSIONS TO BE RESPECTED IN CASE OTHER MANUAL LEVERS ARE USED

Subject to technical modifications without notice

UNIVERSAL Pneumatic clamp with manual lever



Bore Ø	Holding moment	Clamping moment (0.5 MPa)	Weight (Clamping arm not included)
80 mm	4000 Nm	1100 Nm	10.3 Kg

Min./Max. operating pressure: **0,4 / 0,6 MPa**

Operating temperature: **5° + 45° C**

Opening angle: **adjustable from 0° to 105°**

With manual lever

Electronic sensor with M12 swivel connector that can be orientated at 0° or 90°

Supply voltage: 10÷30 Vdc

IP code: **IP 65**

Pneumatic ports on both sides

* : TOLERANCE BETWEEN DOWELS ± 0.02, TO SCREW HOLES ± 0.1

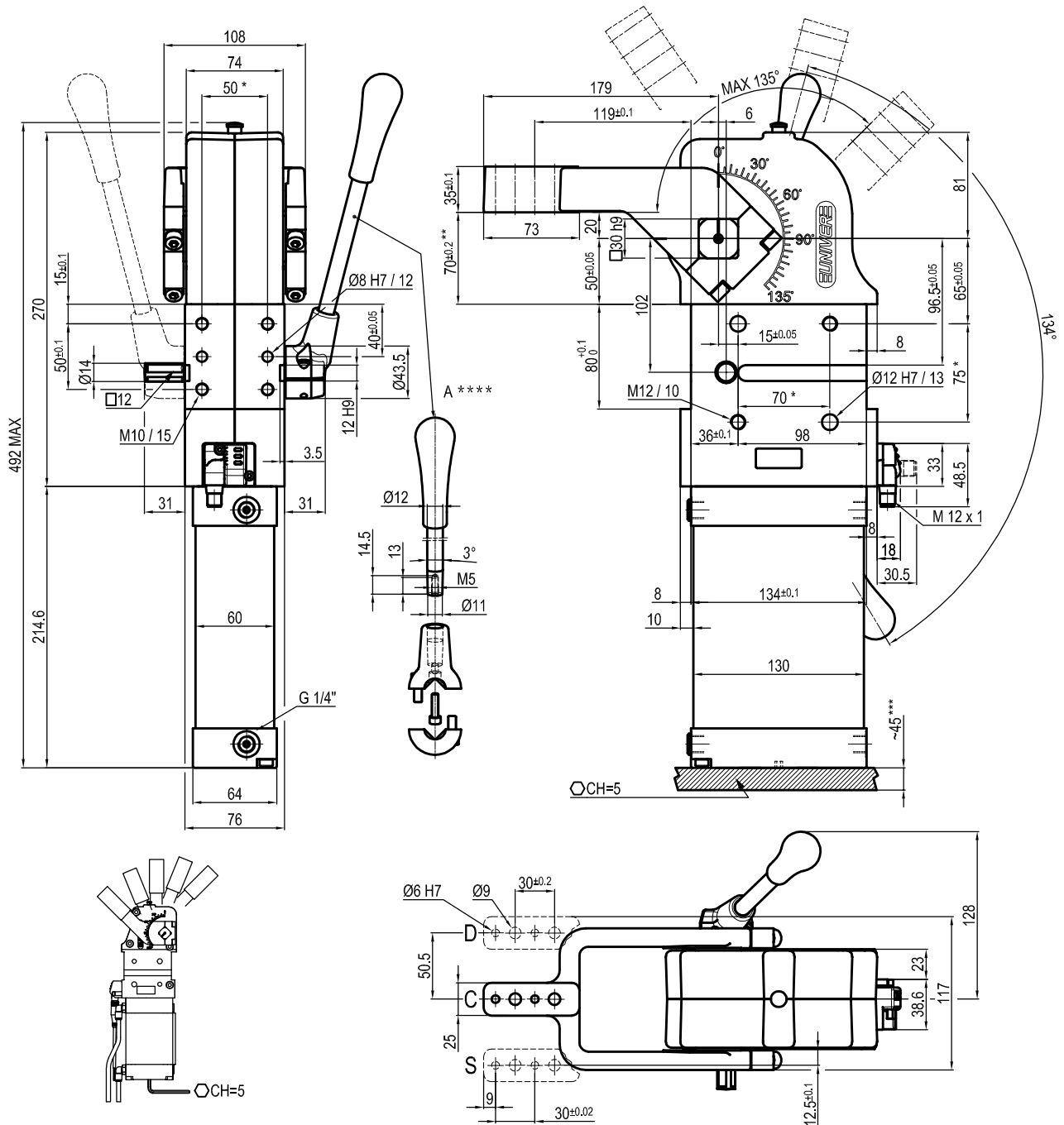
** : TOLERANCE AT 80 mm FROM PIVOT POINT

*** : AREA TO ACCES ANGLE ADJUSTMENT

**** : DIMENSIONS TO BE RESPECTED IN CASE OTHER MANUAL LEVERS ARE USED

Subject to technical modifications without notice

UNIVERSAL Pneumatic clamp with manual lever



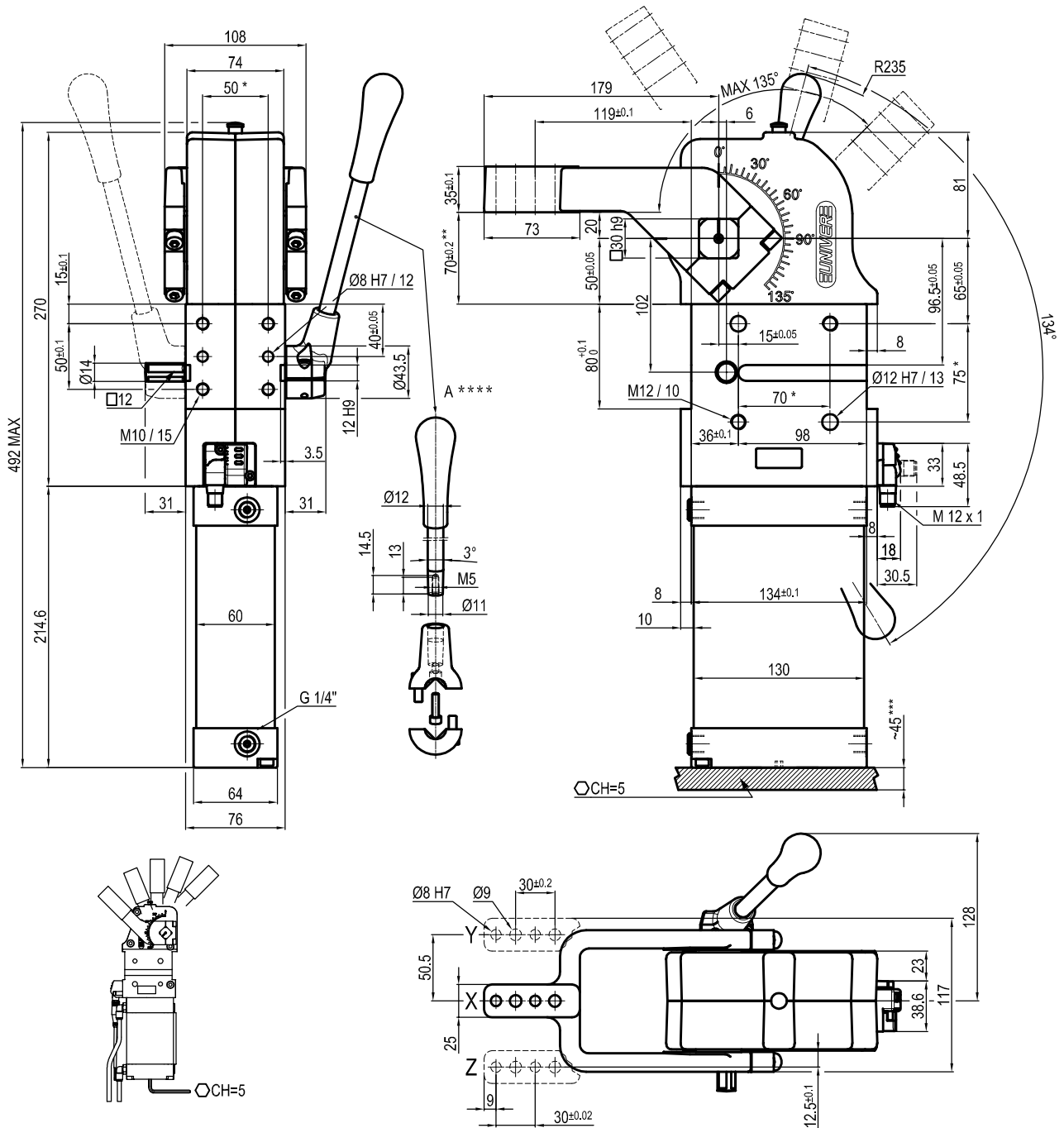
Bore Ø	Holding moment	Clamping moment (0.5 MPa)	Weight (Clamping arm not included)
80 mm	4000 Nm	1100 Nm	10.3 Kg

Min./Max. operating pressure: **0,4 / 0,6 MPa**
 Operating temperature: **5° + 45° C**
 Opening angle: **adjustable from 0° to 135°**
 With manual lever
 Electronic sensor with M12 swivel connector that can be orientated at 0° or 90°
 Supply voltage: 10÷30 Vdc
 IP code: **IP 65**
 Pneumatic ports on both sides

* : TOLERANCE BETWEEN DOWELS ± 0.02, TO SCREW HOLES ± 0.1
 ** : TOLERANCE AT 80 mm FROM PIVOT POINT
 *** : AREA TO ACCES ANGLE ADJUSTMENT
 **** : DIMENSIONS TO BE RESPECTED IN CASE OTHER MANUAL LEVERS ARE USED

Subject to technical modifications without notice

UNIVERSAL Pneumatic clamp with manual lever (arm style X-Y-Z)



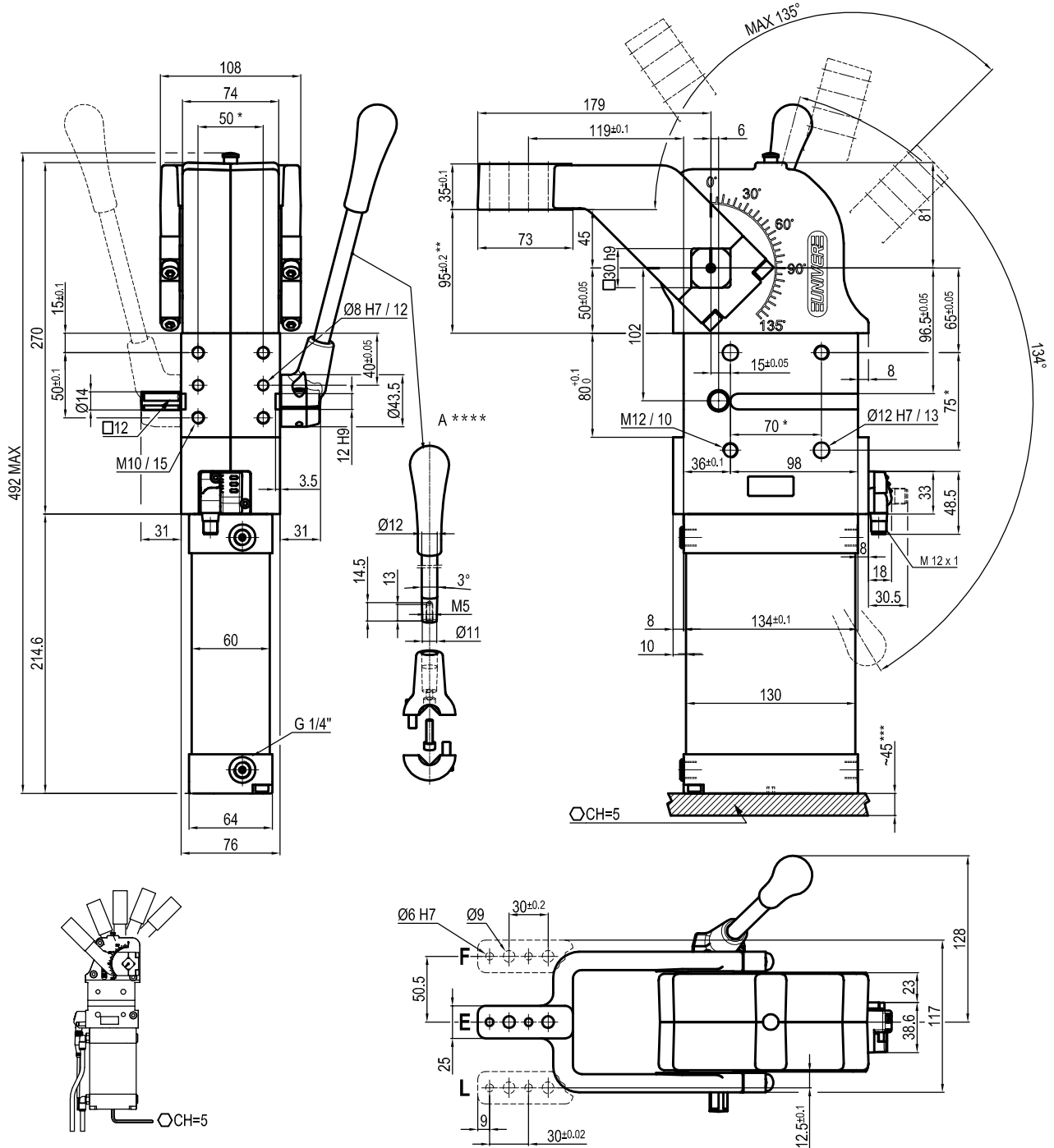
Bore Ø	Holding moment	Clamping moment (0.5 MPa)	Weight (Clamping arm not included)
80 mm	4000 Nm	1100 Nm	10.3 Kg

Min./Max. operating pressure: **0,4 / 0,6 MPa**
 Operating temperature: **5° + 45° C**
 Opening angle: **adjustable from 0° to 135°**
 With manual lever
 Electronic sensor with M12 swivel connector that can be orientated at 0° or 90°
 Supply voltage: 10÷30 Vdc
 IP code: **IP 65**
 Pneumatic ports on both sides

* : TOLERANCE BETWEEN DOWELS ± 0.02, TO SCREW HOLES ± 0.1
 ** : TOLERANCE AT 80 mm FROM PIVOT POINT
 *** : AREA TO ACCES ANGLE ADJUSTMENT
 **** : DIMENSIONS TO BE RESPECTED IN CASE OTHER MANUAL LEVERS ARE USED

Subject to technical modifications without notice

UNIVERSAL Pneumatic clamp with manual lever arm at 45 mm from pivot point (arm style E-L-F)

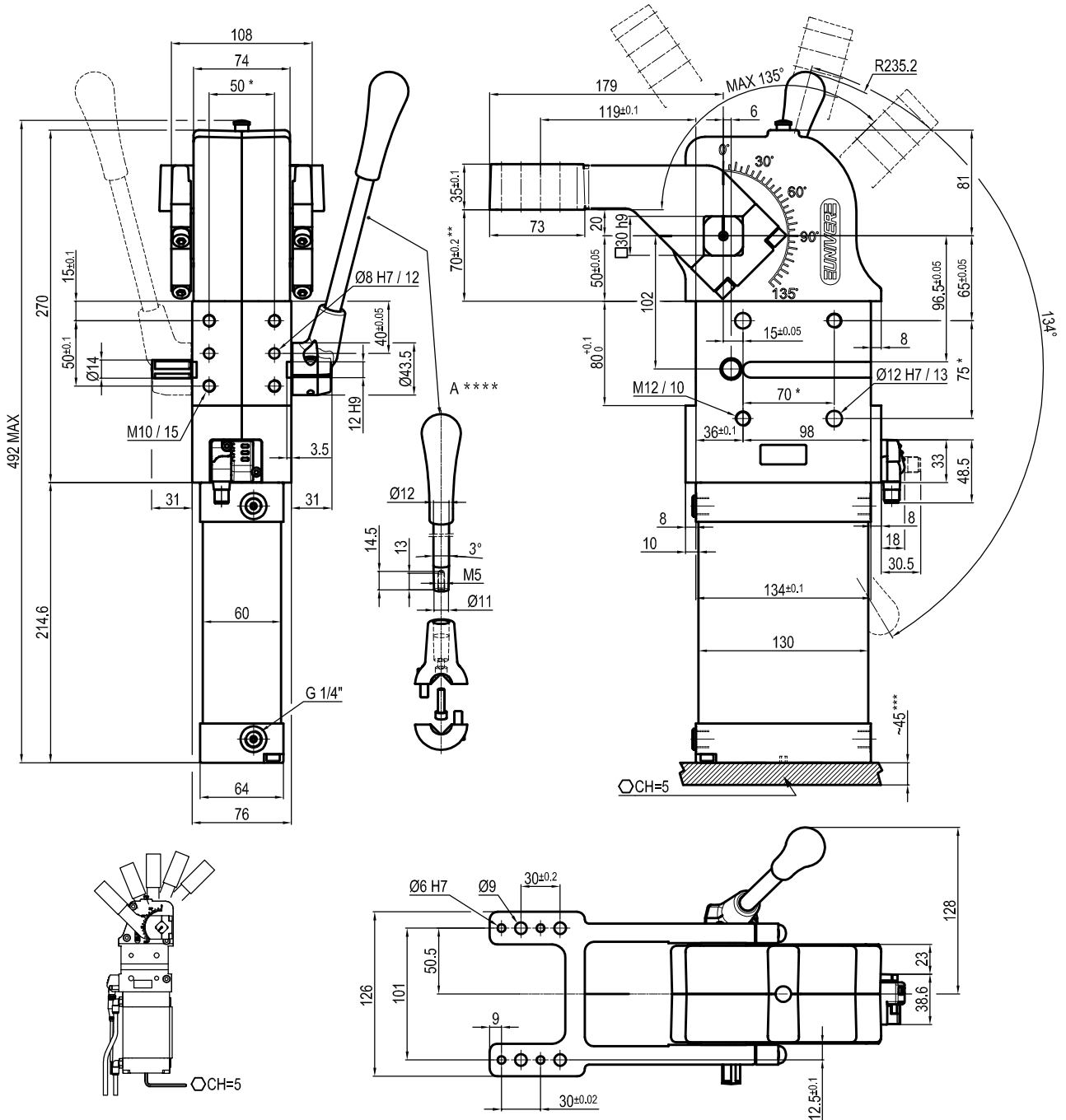


Bore Ø	Holding moment	Clamping moment (0.5 MPa)	Weight (Clamping arm not included)
80 mm	4000 Nm	1100 Nm	10.3 Kg

Min./Max. operating pressure: **0,4 / 0,6 MPa**
 Operating temperature: **5° + 45° C**
 Opening angle: **adjustable from 0° to 135°**
 With manual lever
 Electronic sensor with M12 swivel connector that can be orientated at 0° or 90°
 Supply voltage: 10÷30 Vdc
 IP code: **IP 65**
 Pneumatic ports on both sides

* : TOLERANCE BETWEEN DOWELS ± 0.02, TO SCREW HOLES ± 0.1
 ** : TOLERANCE AT 80 mm FROM PIVOT POINT
 *** : AREA TO ACCES ANGLE ADJUSTMENT
 **** : DIMENSIONS TO BE RESPECTED IN CASE OTHER MANUAL LEVERS ARE USED

Subject to technical modifications without notice



Bore Ø	Holding moment	Clamping moment (0.5 MPa)	Weight (Clamping arm not included)
80 mm	4000 Nm	1100 Nm	10.3 Kg

Min./Max. operating pressure: **0,4 / 0,6 MPa**
 Operating temperature: **5° + 45° C**
 Opening angle: **adjustable from 0° to 135°**
 With manual lever
 Electronic sensor with M12 swivel connector that can be orientated at 0° or 90°
 Supply voltage: 10÷30 Vdc
 IP code: **IP 65**
 Pneumatic ports on both sides

* : TOLERANCE BETWEEN DOWELS ± 0.02, TO SCREW HOLES ± 0.1
 ** : TOLERANCE AT 80 mm FROM PIVOT POINT
 *** : AREA TO ACCES ANGLE ADJUSTMENT
 **** : DIMENSIONS TO BE RESPECTED IN CASE OTHER MANUAL LEVERS ARE USED

Subject to technical modifications without notice