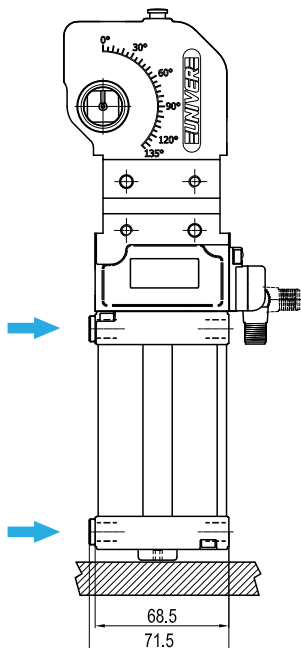


Change of the end-cap plug on clamping units size 40

Series:	UCBP40 - UCBM40 - UCBT40 - UCSBP40 - UCIP40 - UCIM40 - UGP40 - UGM40
Product description:	Clamping units size 40
Modification description:	Recessed plugs are used on cylinder end-caps
Modification reason:	Product optimization and update
Effective date:	Immediate effect

DISCONTINUED

Protruding plugs



UPDATE

Recessed plugs

