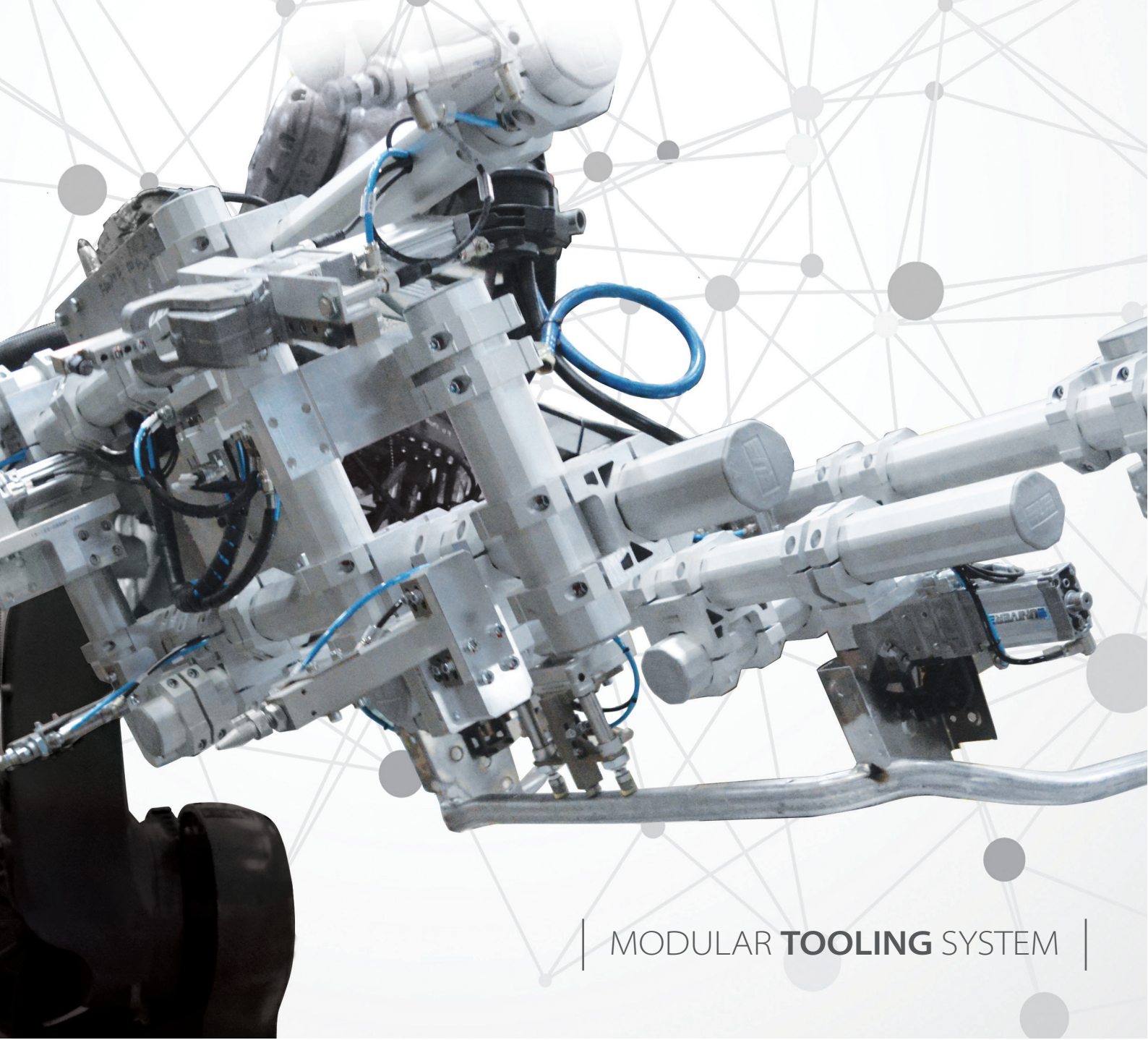
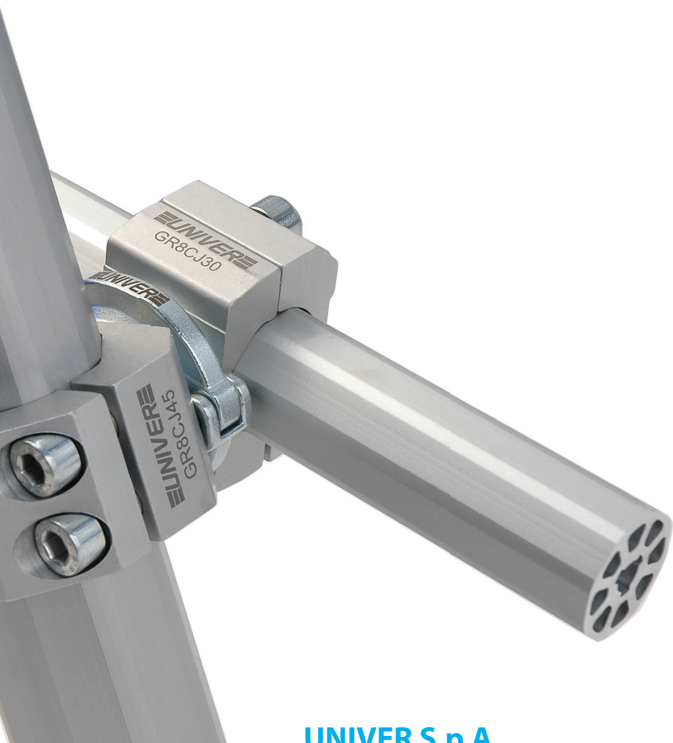


Technical **catalogue**



MODULAR **TOOLING** SYSTEM



**UNIVER S.p.A.**  
**Headquarters**

I - 20128 **Milano**  
Via Eraclito, 31  
Tel. +39 02 25298.1  
Fax +39 02 2575254  
info@univer-group.com  
[www.univer-group.com](http://www.univer-group.com)

In light of technical updates, **Univer S.p.A.** reserves the right to modify technical features of their products with no obligation to issue prior notice.

Information contained in the present catalogue is pure indication, for further details about product technical features and related parameter values to be respected for a proper functioning, please refer to the datasheets available at:  
[www.univer-group.com](http://www.univer-group.com)

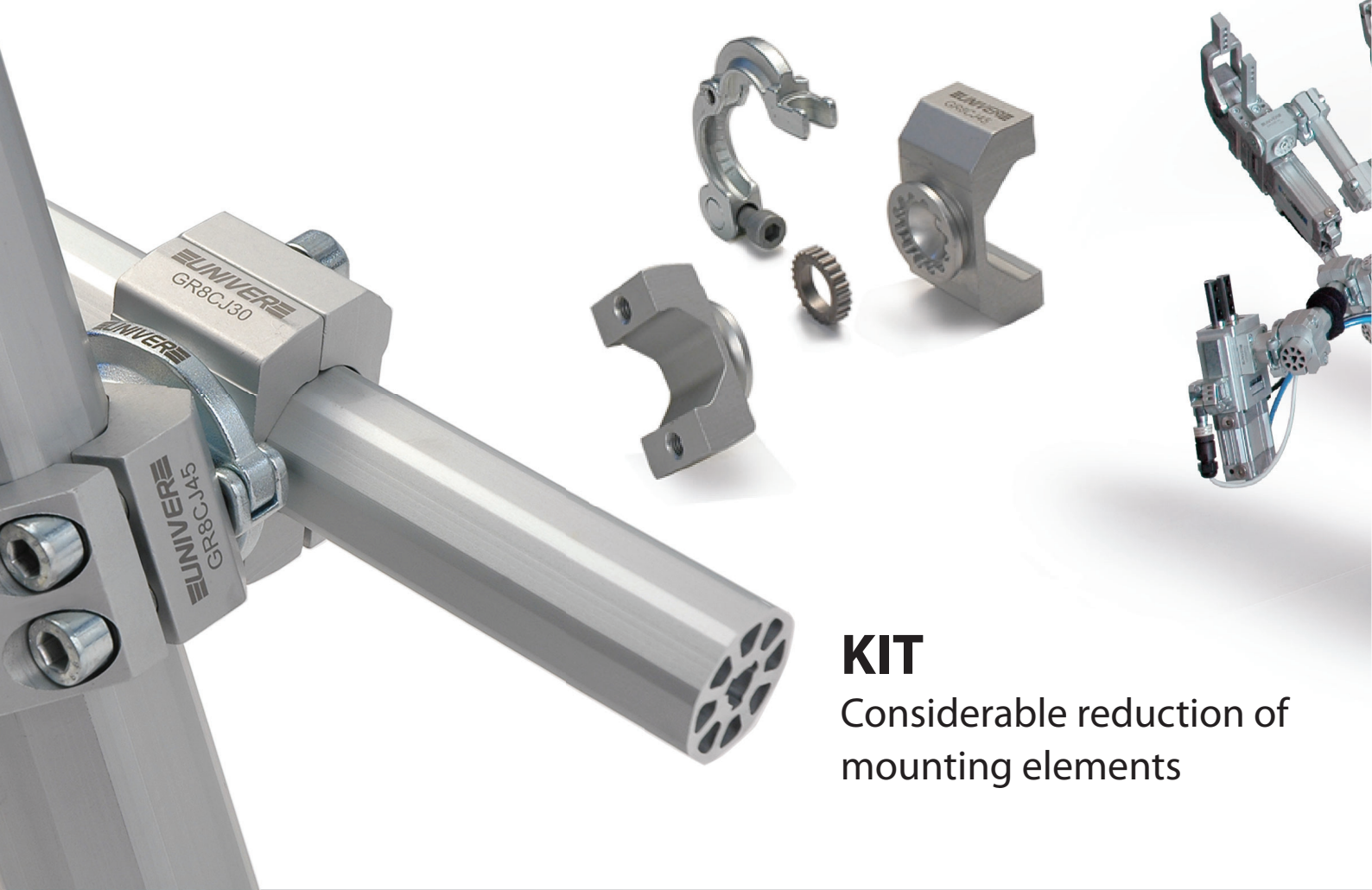
All rights reserved to **Univer S.p.A.** Unauthorized reproduction prohibited.

## INDEX

	PRODUCT OVERVIEW		6
<b>1</b>	BOOMS AND BOOM ADAPTERS		15
<b>2</b>	FRAME COMPONENTS		23
<b>3</b>	JOINTS		37
<b>4</b>	ANGLE ADAPTERS		49
<b>5</b>	BALL ADAPTERS		53
<b>6</b>	FRONT MOUNT PLATES		57
<b>7</b>	REAR MOUNT PLATE		65
<b>8</b>	GRIPPER ADAPTERS		71
<b>9</b>	RISERS		83



# GR8 MODULAR TOOLING SYSTEM

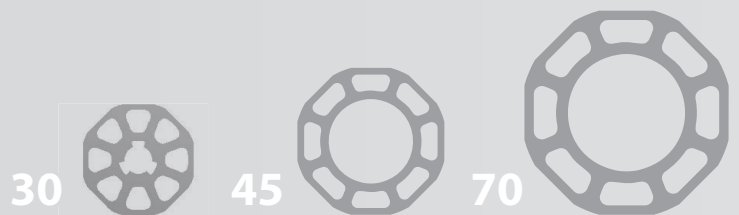


## **KIT**

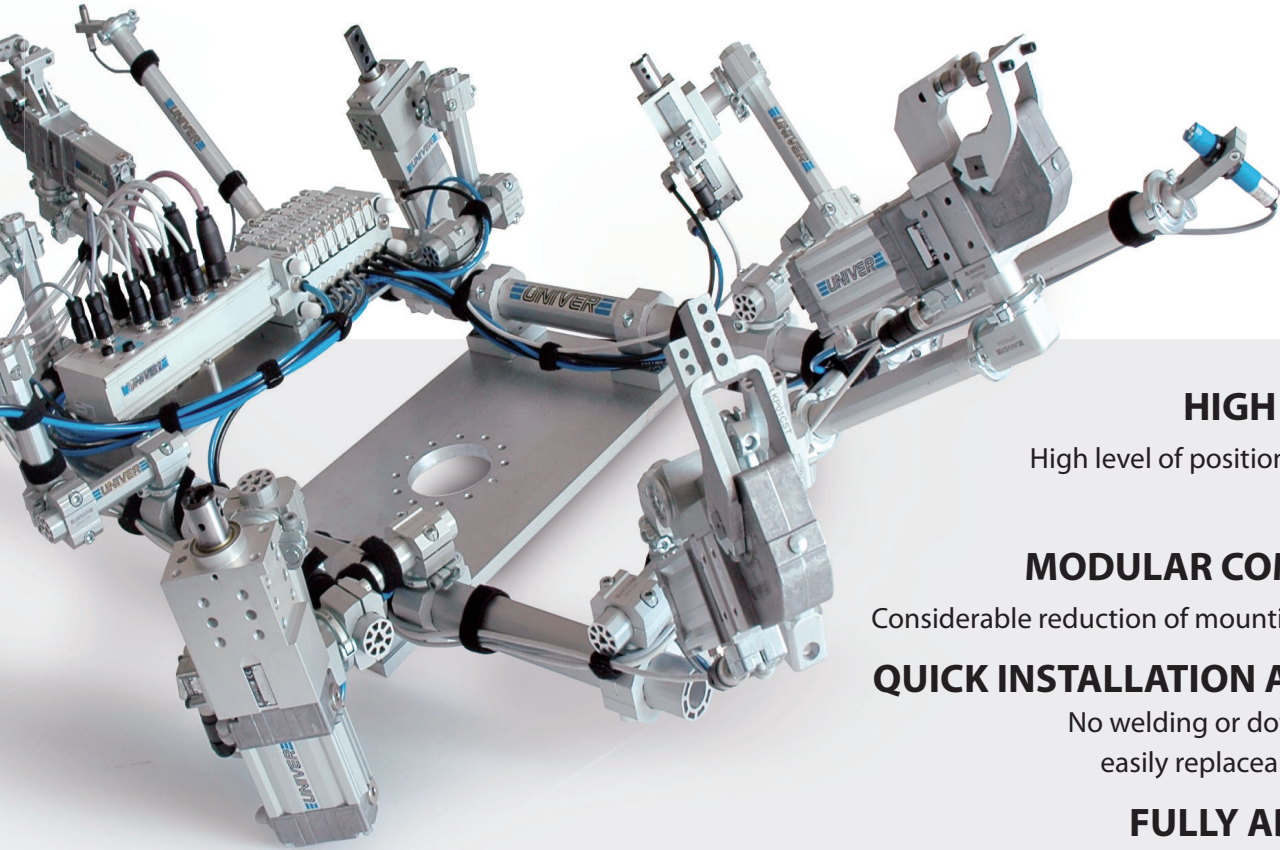
Considerable reduction of mounting elements

Ø 30 - 45 - 70 mm booms

Maximum stiffness and minimum weight







## HIGH PRECISION

High level of positional repeatability;  
low deflection

## MODULAR COMPONENTS

Considerable reduction of mounting components

## QUICK INSTALLATION AND SET UP

No welding or doweling required,  
easily replaceable components

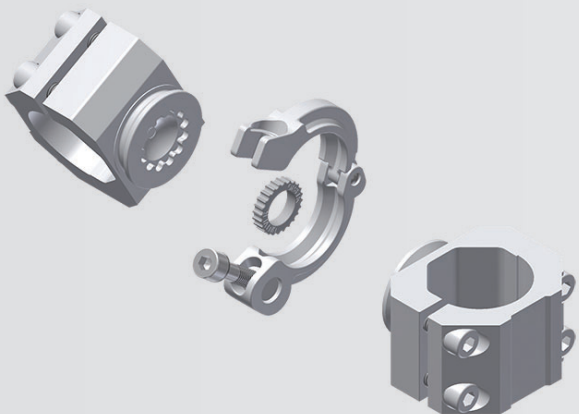
## FULLY ADJUSTABLE

Unlimited orientation in space and free configuration

**UNIVER Original**

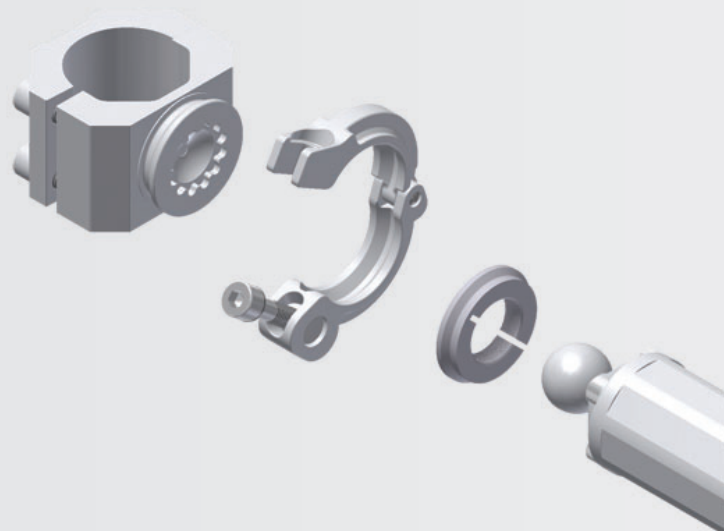
### Locking ring

Precise and efficient system to guarantee a high level of positional accuracy



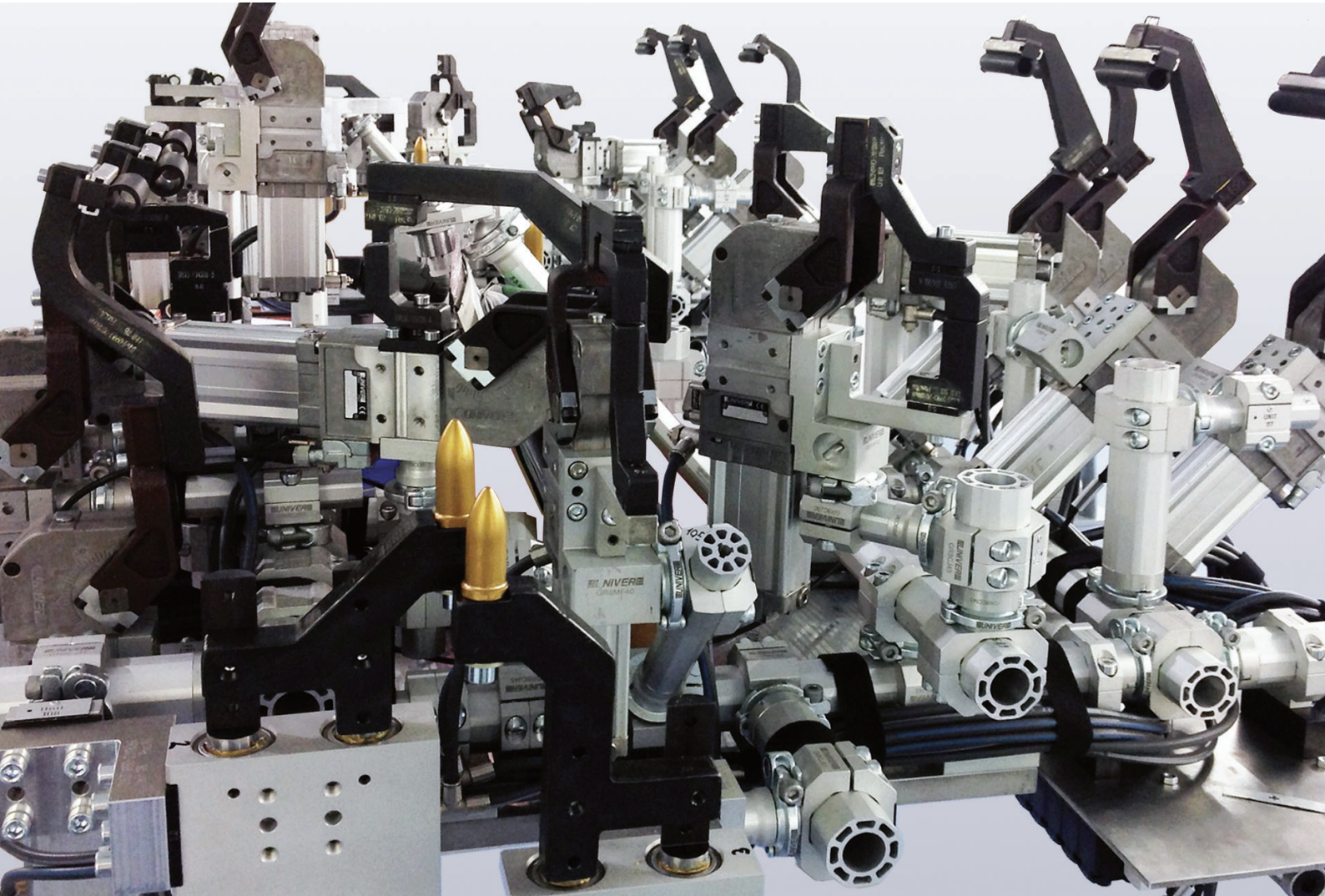
### Ball mounting

Unlimited swivel rotation



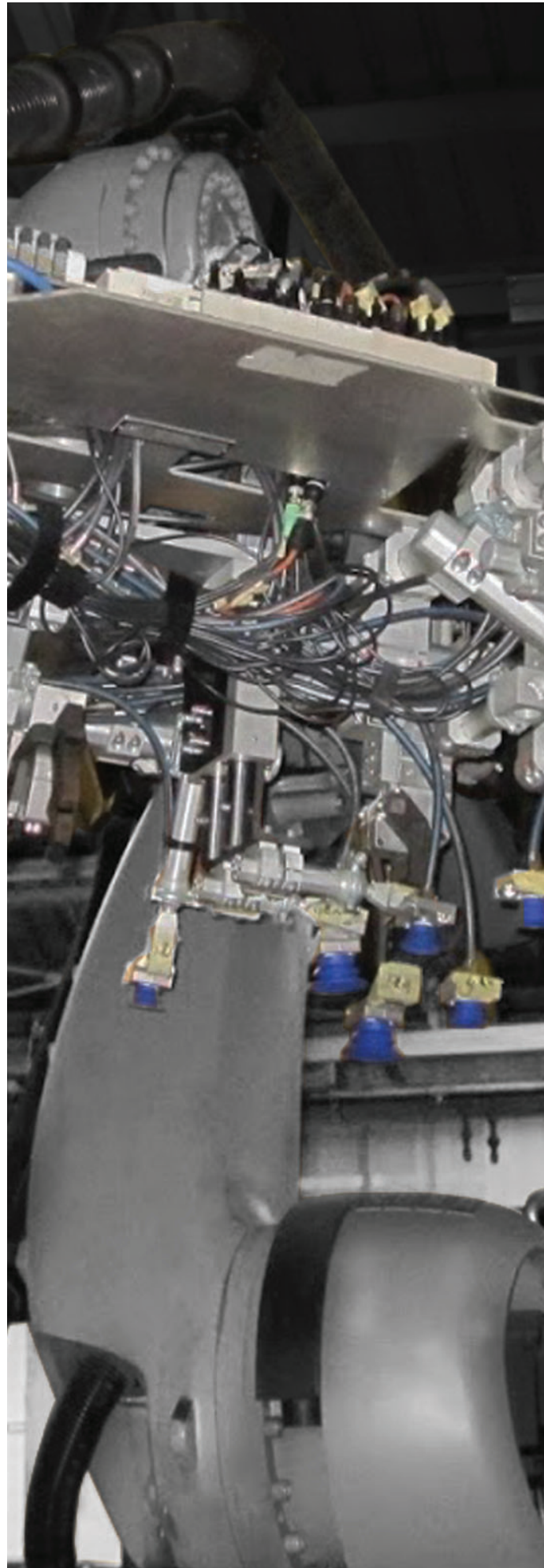
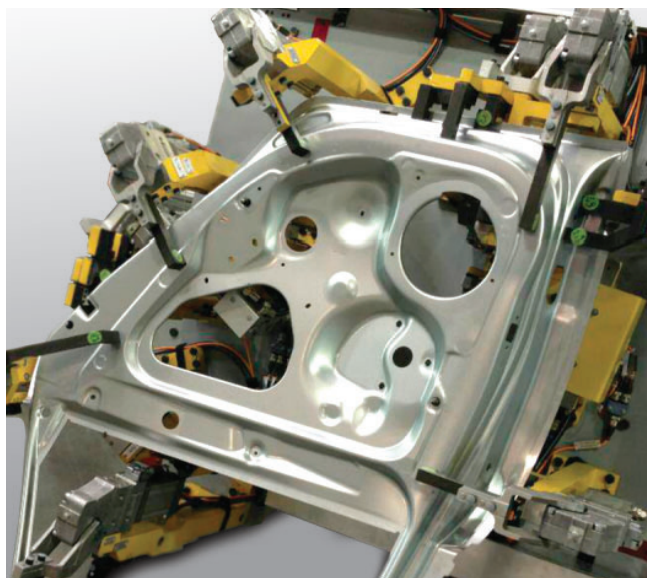
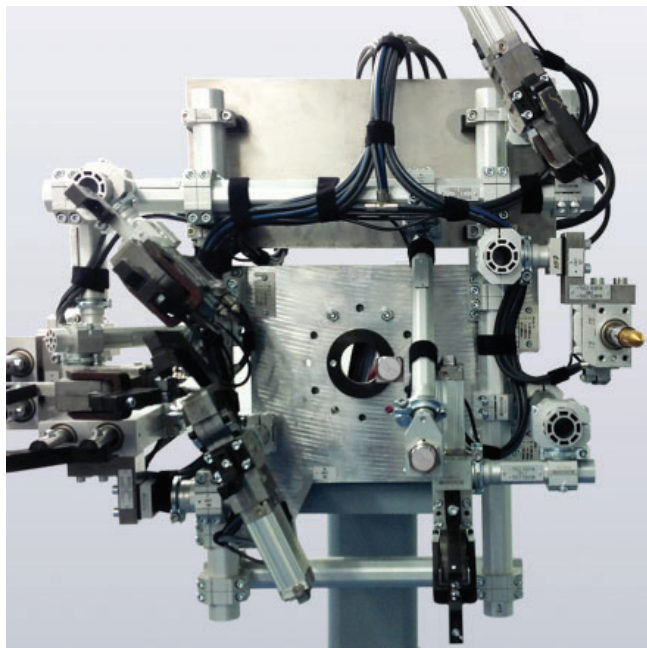
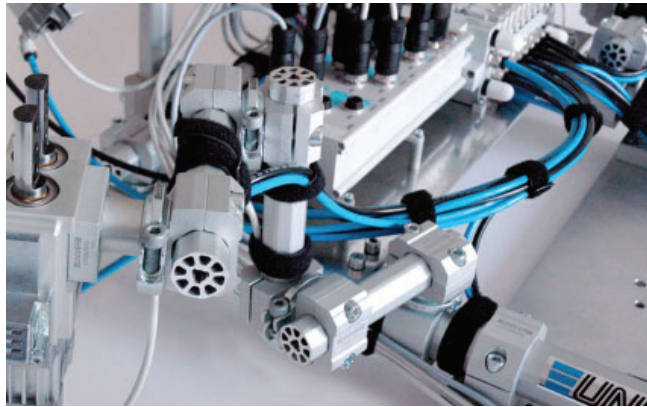
# GR8 MODULAR TOOLING SYSTEM

## Application examples













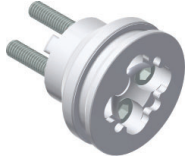
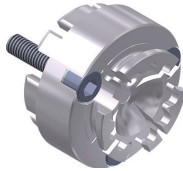
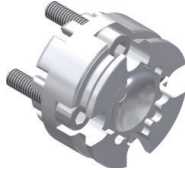
- Unlimited and complex configurations
- Weight-optimized standard components and brackets
- Quick installation and adjustment
- Modular components







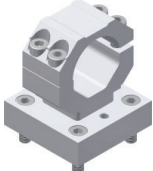
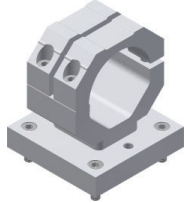

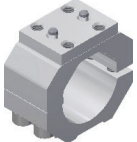
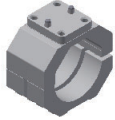
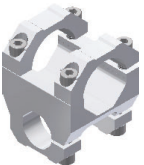

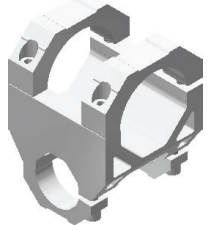

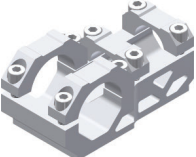
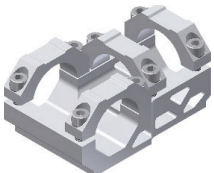
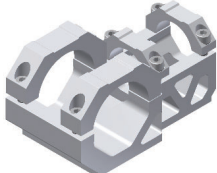
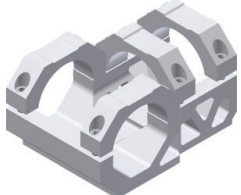
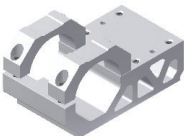
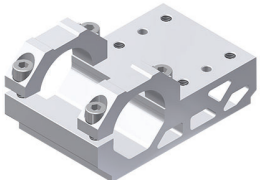
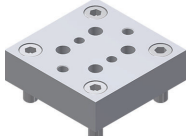


## BOOMS AND BOOM ADAPTERS


<p><b>GR8B30S6000</b> Octagonal boom Ø30 mm</p>	<p><b>GR8B456000</b> Octagonal boom Ø45 mm</p>	<p><b>GR8B706000</b> Octagonal boom Ø70 mm</p>	
			
<p><b>GR8C30</b> Boom end - cap Ø30 mm</p>	<p><b>GR8C45</b> Boom end - cap Ø45 mm</p>	<p><b>GR8C70</b> Boom end - cap Ø70 mm</p>	
			
<p><b>GR8IK</b> Interlocking key insert</p>	<p><b>GR8LH</b> Locking ring</p>	<p><b>GR8LHD</b> Locking ring D</p>	
			
<p><b>GR8SCI30C</b> Interlocking end 30 for ball mounting</p>	<p><b>GR8SCI30D</b> Interlocking end 30 D</p>	<p><b>GR8ECI45C</b> Interlocking end 45 for ball mounting</p>	<p><b>GR8ECI45D</b> Interlocking end 45 D</p>
	 <div data-bbox="711 1480 778 1547" style="float: right; background-color: #0070C0; color: white; padding: 2px 5px; border-radius: 3px;">200 Nm</div>		 <div data-bbox="1417 1480 1484 1547" style="float: right; background-color: #0070C0; color: white; padding: 2px 5px; border-radius: 3px;">200 Nm</div>


 Max static load

FRAME COMPONENTS

<p><b>GR8BB30</b> Base plate 30</p>	<p><b>GR8BB45</b> Base plate 45</p>	<p><b>GR8BB70</b> Base plate 70</p>	
			
<p><b>GR8BB30A</b> Joint 30 without base</p>	<p><b>GR8BB45A</b> Joint 45 without base</p>	<p><b>GR8BB70A</b> Joint 70 without base</p>	
			
<p><b>GR8HD4530V</b> Joint 45-30</p>	<p><b>GR8HD4545V</b> Joint 45-45</p>	<p><b>GR8HD7045</b> Joint 70-45</p>	<p><b>GR8HD7070</b> Joint 70-70</p>
			
<p><b>GR8CM4530</b> Coplanar Mount 45-30</p>	<p><b>GR8CM4545</b> Coplanar Mount 45-45</p>	<p><b>GR8CM7045</b> Coplanar Mount 70-45</p>	<p><b>GR8CM7070</b> Coplanar Mount 70-70</p>
			
<p><b>GR8BL45</b> Base linear plate 45</p>	<p><b>GR8BL70</b> Base linear plate 70</p>	<p><b>GR8BB4530B</b> Base plate</p>	
			

**JOINTS**

<p><b>GR8CJ30C</b> Cross Joint 30 for ball mounting</p>	<p><b>GR8CJ30D</b> Cross Joint 30 D</p>	<p><b>GR8CJ45C</b> Cross Joint 45 for ball mounting</p>	<p><b>GR8CJ45D</b> Cross Joint 45 D</p>
			
<p><b>GR8CJ70C</b> Cross Joint 70 for ball mounting</p>	<p><b>GR8CJ70D</b> Cross joint 70 D</p>	<p><b>GR8CJD30C</b> Double cross joint 30 for ball mounting</p>	<p><b>GR8CJD30D</b> Double cross joint 30 D</p>
			
<p><b>GR8CJD45C</b> Double cross joint 45 for ball mounting</p>	<p><b>GR8CJD45D</b> Double cross joint 45 D</p>	<p><b>GR8RJ30C</b> Round Joint 30 for ball mounting</p>	<p><b>GR8RJ30D</b> Round Joint 30 D</p>
			
<p><b>GR8RJ45C</b> Round Joint 45 for ball mounting</p>	<p><b>GR8RJ45D</b> Round Joint 45 D</p>	<p><b>GR8RJ70C</b> Round Joint 70 for ball mounting</p>	<p><b>GR8RJ70D</b> Round joint 70 D</p>
			

 Max static load



## JOINTS

<p><b>GR8BC30</b> 30 base connector</p>	<p><b>GR8BC45</b> 45 base connector</p>	<p><b>GR8BC70</b> 70 base connector</p>
		
<p><b>GR8R3025</b> Adapter octagon 30 to round 25</p>	<p><b>GR8R4540</b> Adapter octagon 45 to round 40</p>	
		

## ANGLE ADAPTERS

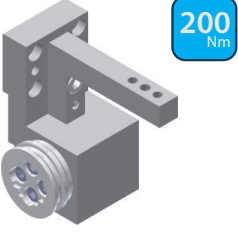

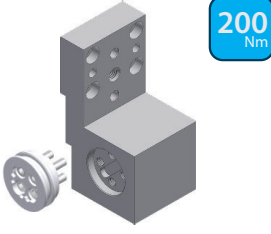
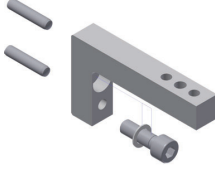
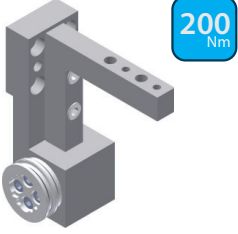
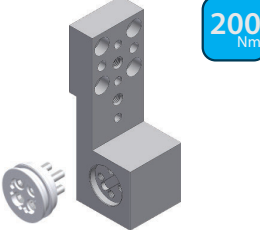
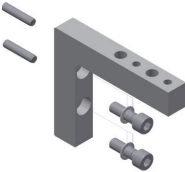
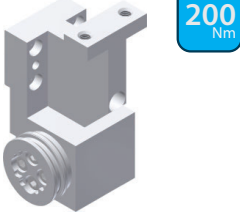
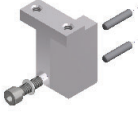
<p><b>GR8A30D</b> Edge mount orientable side <b>D</b> for <b>30</b> mm boom</p>	<p><b>GR8A45D</b> Edge mount orientable side <b>D</b> for <b>45</b> mm boom</p>	<p><b>GR8SM3030</b> Edge mounting <b>30-30</b></p>	<p><b>GR8SM4545</b> Edge mounting <b>45-45</b></p>
			


## BALL ADAPTERS

<p><b>GR8MP12</b> Proximity mount 12 mm</p>	<p><b>GR8MP18</b> Proximity mount 18 mm</p>	<p><b>GR8MP30</b> Proximity mount 30 mm</p>	<p><b>GR8MP19</b> Vacuum cup adapter</p>
			
<p><b>GR8SCB30</b> Ball mount 30</p>	<p><b>GR8SCB45</b> Ball mount 45</p>		
			

 Max static load

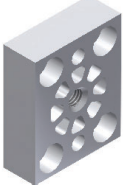
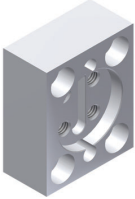
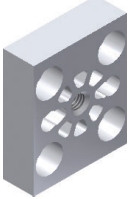
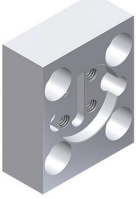
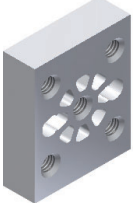

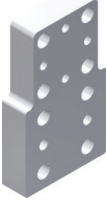
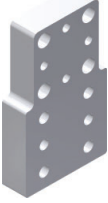
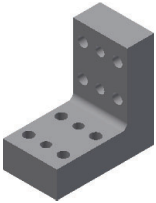
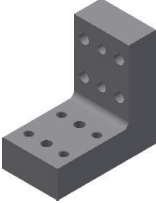
FRONT MOUNT PLATE

<p><b>GR8MF40D</b> Front mount plate D for clamps size 40</p>	<p><b>GR8RMF4050AD</b> Interlocking adapter for GR8MF40D, GR8MF50D, GR8MFGLD</p>	<p><b>GR8MF40PD</b> Mount plate for GR8MF40D</p>	<p><b>GR8RMF40C</b> Mount flange angle for GR8MF40D</p>
			
<p><b>GR8MF50D</b> Front mount plate D for clamps size 50/63</p>	<p><b>GR8MF50PD</b> Mount plate for GR8MF50D</p>	<p><b>GR8RMF50C</b> Mount flange angle for GR8MF50D</p>	<p><b>GR8MFGLD</b> Front mount plate D for gripper units</p>
			
<p><b>GR8MFGLC</b> Counter mount for GR8MFGLD</p>			
			

 Max static load




## REAR MOUNT PLATES

<p><b>GR8SR40</b> Rear mount plate for clamps size 40</p>	<p><b>GR8SR40D</b> Rear mount plate <b>D</b> for clamps size 40</p>	<p><b>GR8SR50</b> Rear mount plate for pin unit size 50</p>	<p><b>GR8SR50D</b> Rear mount plate <b>D</b> for pin unit size 50</p>
			
<p><b>GR8SR50M8</b> Rear mount plate with M8 threads for clamps size <b>50/63</b></p>	<p><b>GR8SR50M8D</b> Rear mount plate <b>D</b> with M8 threads for clamps size <b>50/63</b></p>	<p><b>GR8SB4530</b> Rear mount plate</p>	<p><b>GR8SB4530M8</b> Rear mount plate with M8 threads</p>
			
<p><b>GR8SSLC</b> Flange mount for pin unit</p>	<p><b>GR8SSLCM8</b> Flange mount for - with M8 threads</p>		
			

## RISERS

<p><b>GR8SK30</b> Riser size <b>30</b></p>	<p><b>GR8SK45</b> Riser size <b>45</b></p>	<p><b>GR8SK70</b> Riser size <b>70</b></p>
		

## LGPS ADAPTERS

<p><b>LGP32MO25</b> Orbital mount 360°, ball Ø25 mm for grippers Ø32</p>	<p><b>LGP32MO30</b> Orbital mount 360°, ball Ø30 mm for grippers Ø32</p>	<p><b>LGP32MP</b> Middle flange mount for grippers Ø32</p>	<p><b>LGP40MP</b> Middle flange mount for grippers Ø40</p>
			
<p><b>LGP40MO25</b> Orbital mount 360°, ball Ø 25mm for grippers Ø40</p>	<p><b>LGP40MO30</b> Orbital mount 360°, ball Ø30 mm for grippers Ø40</p>	<p><b>LGP40MO40</b> Orbital mount 360°, ball Ø40 mm for grippers Ø40</p>	<p><b>LGP40MO45</b> Orbital mount 360°, ball Ø45 mm for grippers Ø40</p>
			
<p><b>LGP32PT070</b> Rear flange mount 70 mm for grippers Ø32</p>	<p><b>LGP40PT080</b> Rear flange mount 80 mm for grippers Ø40</p>	<p><b>LGP40PT110</b> Rear flange mount 110 mm for grippers Ø40</p>	
			

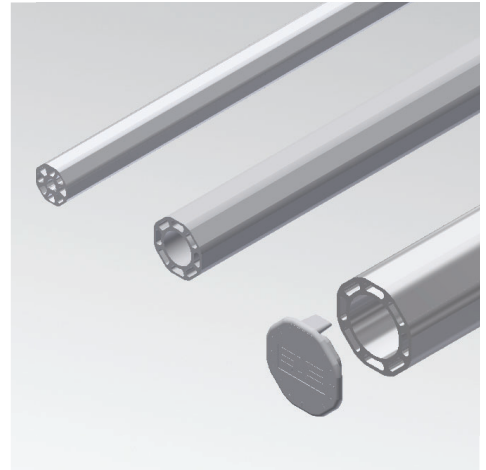


# 1

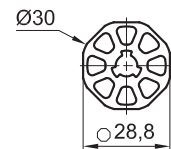
## BOOMS AND BOOM ADAPTERS

	Octagonal booms	GR8B30S6000	16
		GR8B456000	17
		GR8B706000	18
		GR8C30	19
		GR8C45	19
		GR8C70	19
	Interlocking key insert and locking ring	GR8IK	20
		GR8LH	20
		GR8LHD	20
	Interlocking end	GR8SCI30C	21
		GR8SCI30D	21
		GR8ECI45C	21
		GR8ECI45D	22

# Octagonal Booms

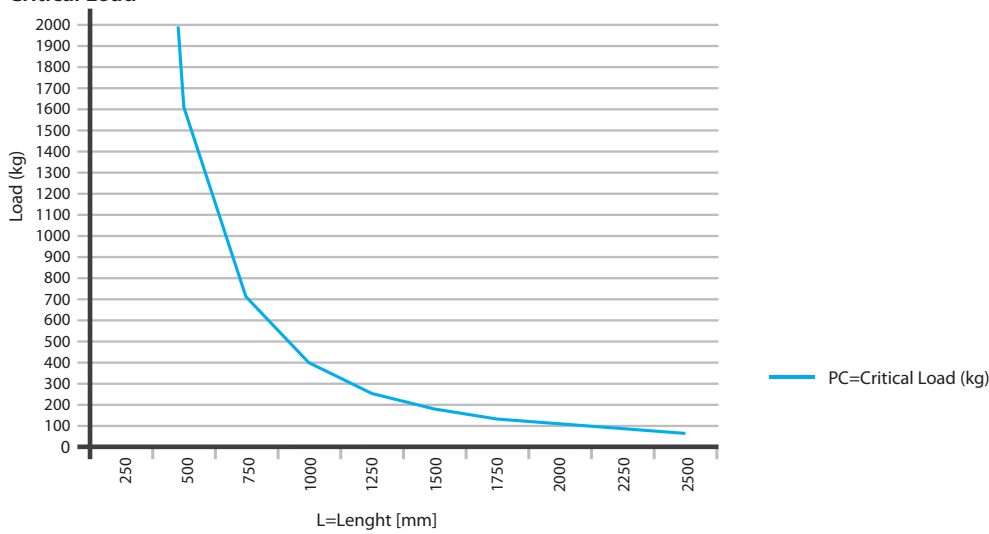


## GR8B30S6000 Ø30 mm Octagonal boom

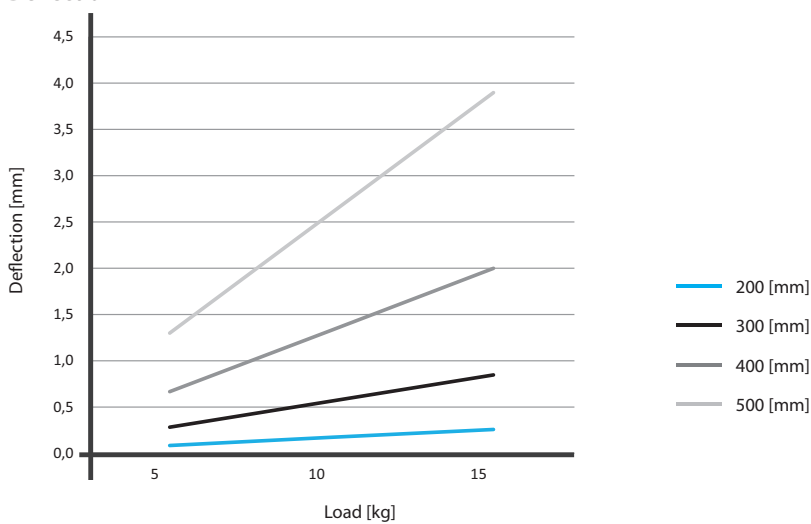


<b>Material:</b>	Aluminium
<b>Weight Ø 30 mm:</b>	1,04 Kg/m
<b>Moment of inertia:</b>	$I_x = 2,326 \text{ cm}^4$ $I_y = 2,326 \text{ cm}^4$
<b>Section modulus:</b>	$W_x = 1,615 \text{ cm}^3$ $W_y = 1,615 \text{ cm}^3$

### Critical Load

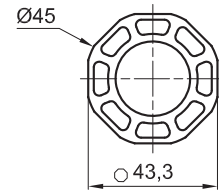


### Deflection



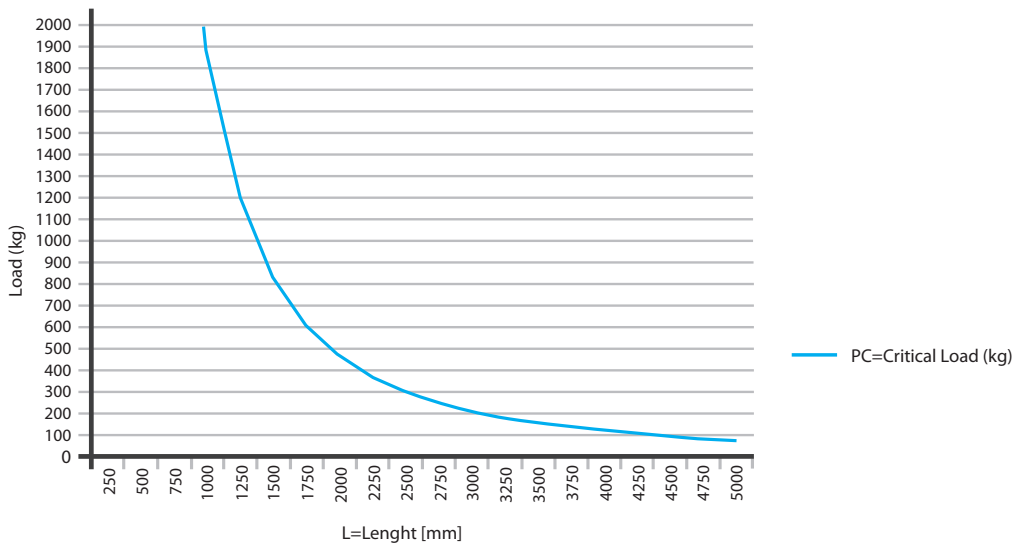


GR8B456000 Ø45 mm Octagonal boom

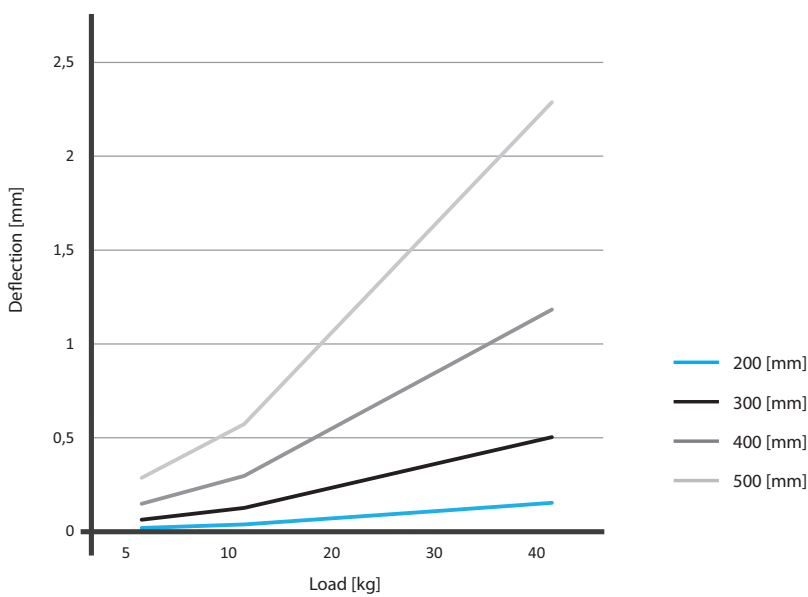


Material:	Aluminium	
Weight Ø 45 mm:	1,74 Kg/m	
Moment of inertia:	$I_x = 10,713 \text{ cm}^4$	$I_y = 10,713 \text{ cm}^4$
Section modulus:	$W_x = 4,926 \text{ cm}^3$	$W_y = 4,926 \text{ cm}^3$

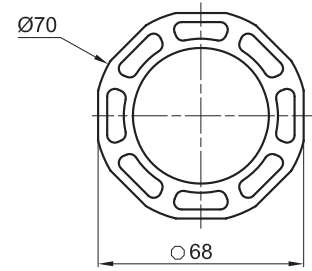
Critical Load



Deflection

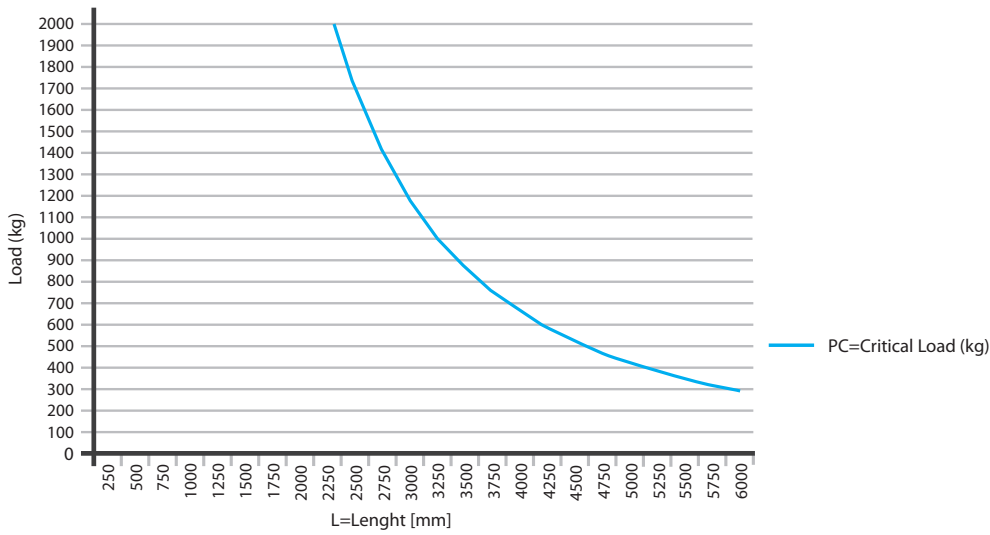


**GR8B706000 Ø70 mm Octagonal boom**

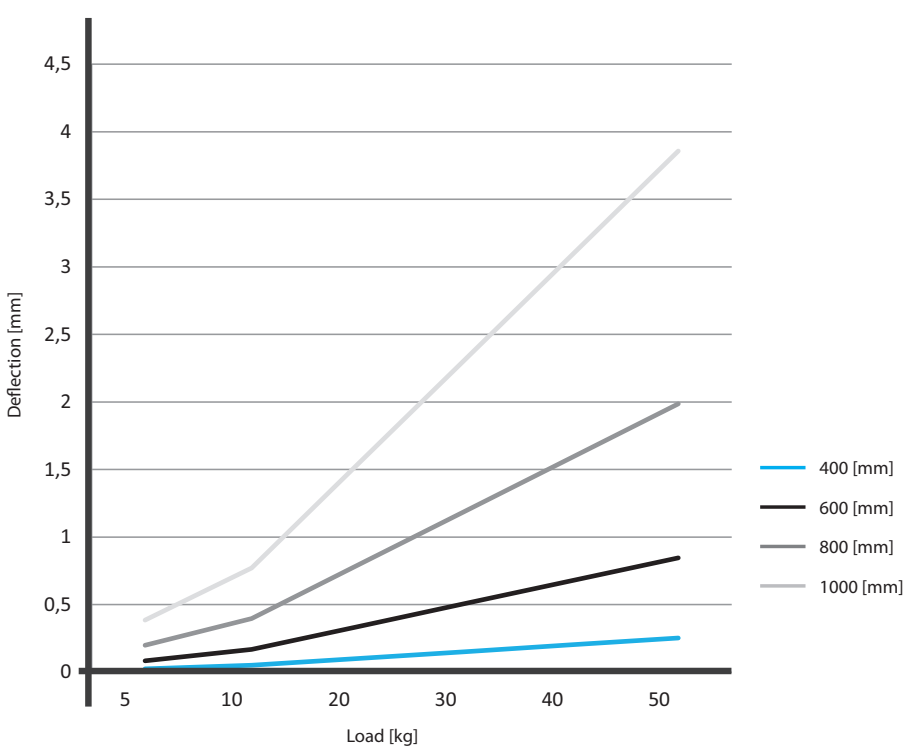


<b>Material:</b>	Aluminium
<b>Weight Ø 70 mm:</b>	3,77 Kg/m
<b>Moment of inertia:</b>	$I_x = 60,861 \text{ cm}^4$ $I_y = 60,861 \text{ cm}^4$
<b>Section modulus:</b>	$W_x = 17,9 \text{ cm}^3$ $W_y = 17,9 \text{ cm}^3$

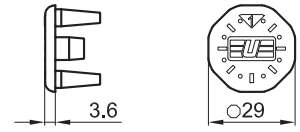
**Critical Load**



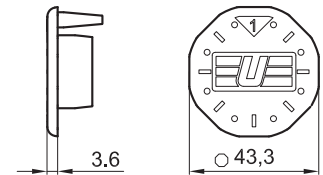
**Deflection**



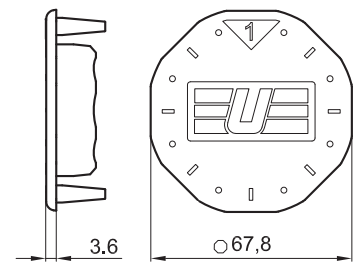
**GR8C30** Ø30 mm Octagonal boom end cap



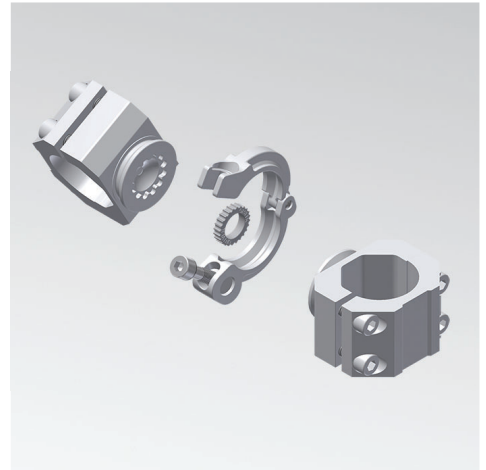
**GR8C45** Ø45 mm Octagonal boom end cap



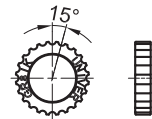
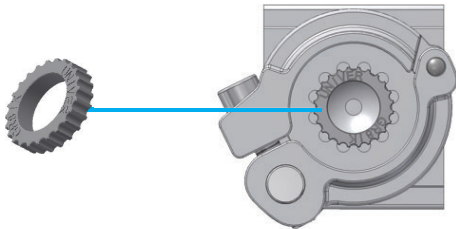
**GR8C70** Ø70 mm Octagonal boom end cap



## Interlocking key insert and locking ring

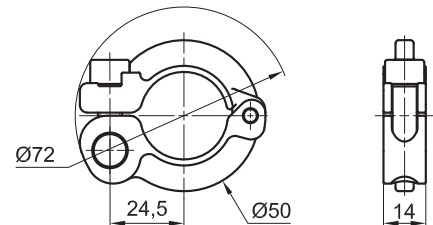


### GR8IK Interlocking key insert



**Material:** Steel  
**Weight:** 0,09 kg

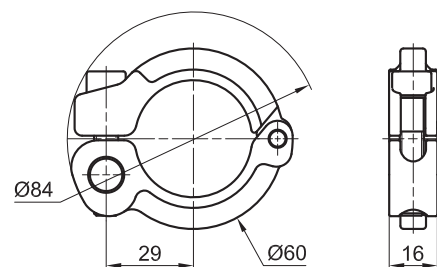
### GR8LH Locking ring



	Tightening torque	Screw
GR8LH	28 Nm	M8 x 35

**Material:** Steel  
**Weight:** 0,118 kg

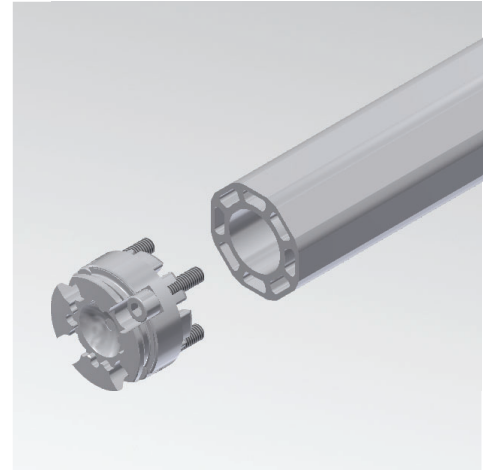
### GR8LHD Locking ring



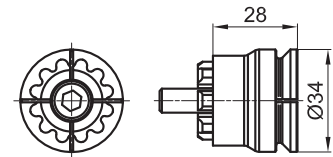
	Tightening torque	Screw
GR8LHD	28 Nm	M8 x 40

**Material:** Steel  
**Weight:** 0,178 kg

## Interlocking end

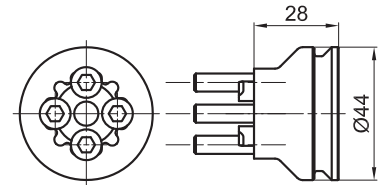


### GR8SCI30C Interlocking end 45 for ball mounting



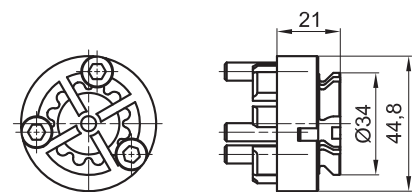
	Tightening torque	Screw
GR8SCI30C	10 Nm	M8x30
Material:	Aluminium	
Weight:	0,068 kg	
Max static load:	80 Nm	

### GR8SCI30D Interlocking end 30 D



	Tightening torque	Screw
GR8SCI30D	10 Nm	M6x35
Material:	Aluminium	
Weight:	0,105 kg	
Max static load:	200 Nm	

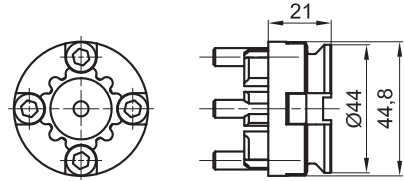
### GR8ECI45C Interlocking end 45 for ball mounting



	Tightening torque	Screw
GR8ECI45C	10 Nm	M6x25
Material:	Aluminium	
Weight:	0,092 kg	
Max static load:	80 Nm	



## GR8ECI45D Interlocking end 45 D



	Tightening torque	Screw
GR8ECI45D	10 Nm	M6x25

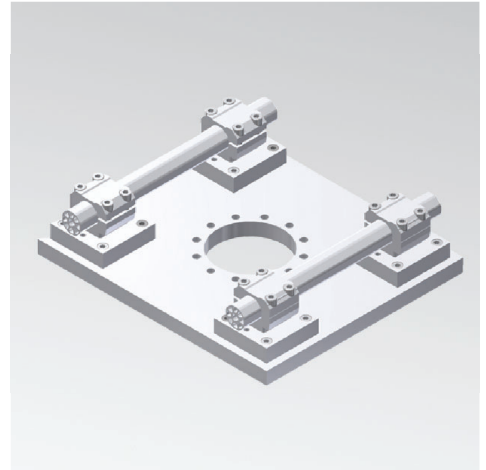
Material:	Aluminium
Weight:	0,104 kg
Max static load:	200 Nm

## 2

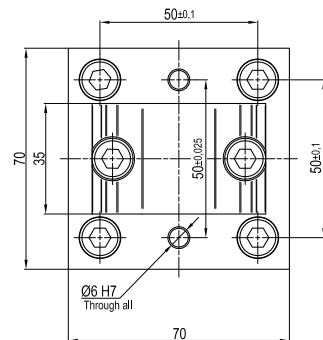
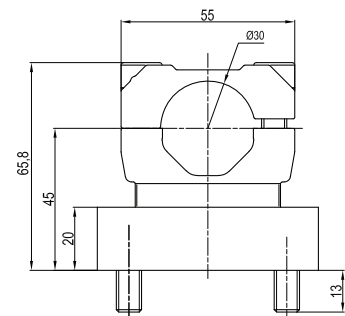
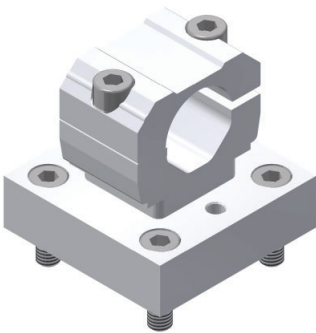
### FRAME COMPONENTS

	Base plates	GR8BB30	24
		GR8BB30A	24
		GR8BB45	25
		GR8BB45A	25
		GR8BB70	26
GR8BB70A	26		
	Joints	GR8HD4530V	27
		GR8HD4545V	28
		GR8HD7045	29
		GR8HD7070	30
	Coplanar mounts	GR8CM4530	31
		GR8CM4545	31
		GR8CM7045	32
		GR8CM7070	33
	Base linear plates	GR8BL45	34
		GR8BL70	35
		GR8BB4530B	36

## Base plate

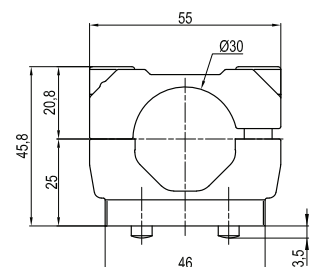
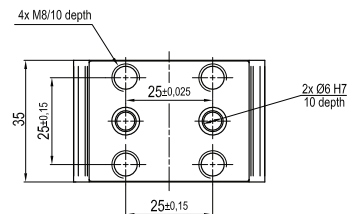


### GR8BB30 Base plate 30

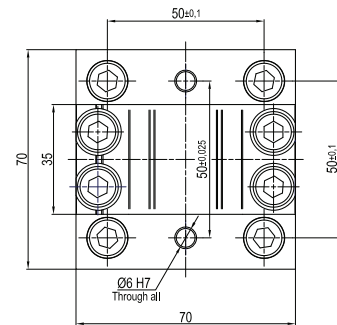
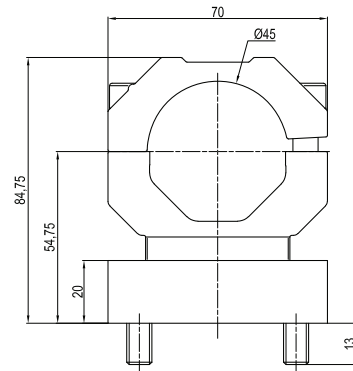
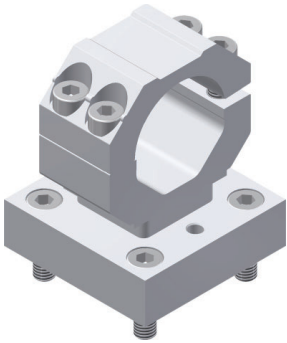


	Tightening torque	Screw
GR8BB30	25 Nm	M8x20 and M8x25
Material:	Aluminium	
Weight:	0,5 kg	
Max static load:	135 Nm	

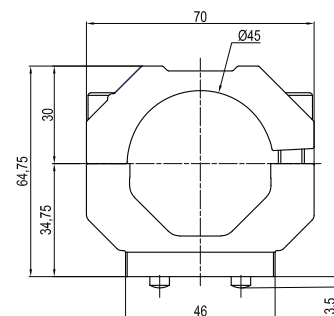
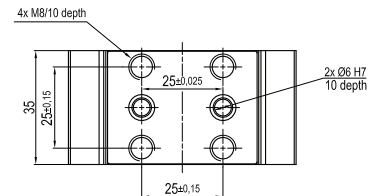
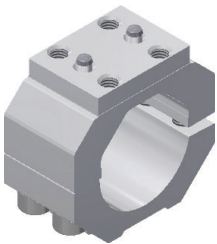
### GR8BB30A Joint 30 without base



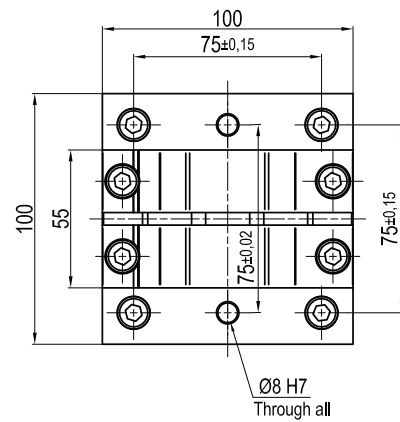
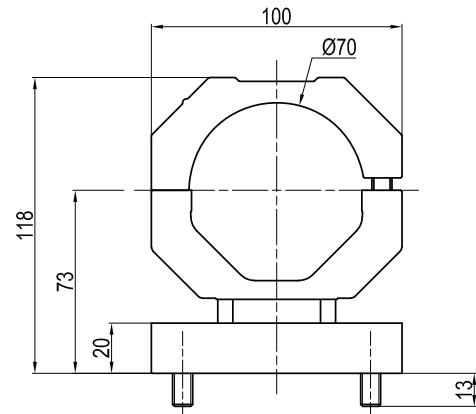
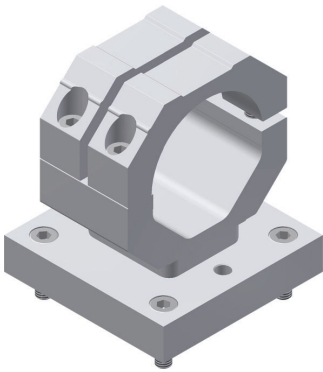
	Tightening torque	Screw
GR8BB30A	25 Nm	M8x25
Material:	Aluminium	
Weight:	0,17 kg	
Max static load:	135 Nm	

**GR8BB45 Base plate bracket 45**


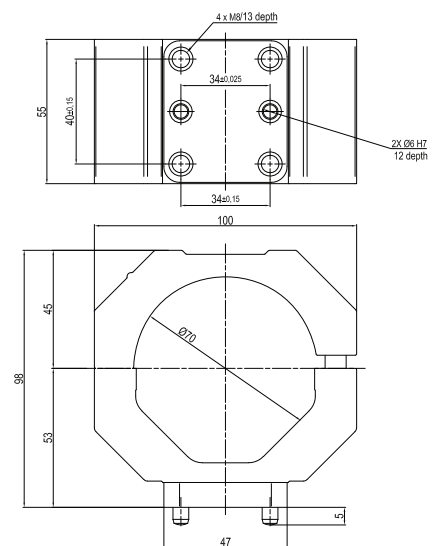
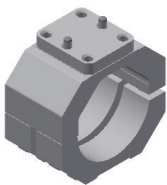
	Tightening torque	Screw
<b>GR8BB45</b>	25 Nm	M8x20 and M8x25
<b>Material:</b>	Aluminium	
<b>Weight:</b>	0,6 kg	
<b>Max static load:</b>	290 Nm	

**GR8BB45A Joint 45 without base**


	Tightening torque	Screw
<b>GR8BB45A</b>	25 Nm	M8x25
<b>Material:</b>	Aluminium	
<b>Weight:</b>	0,26 kg	
<b>Max static load:</b>	290 Nm	

**GR8BB70 Base plate 70**


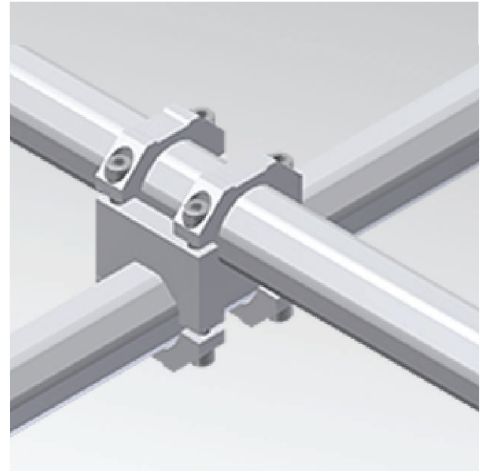
	Tightening torque	Screw
GR8BB70	25 Nm	M8x20 and M8x25
Material:	Aluminium	
Weight:	1,26 kg	
Max static load:	390	

**GR8BB70A Joint 70 without base**


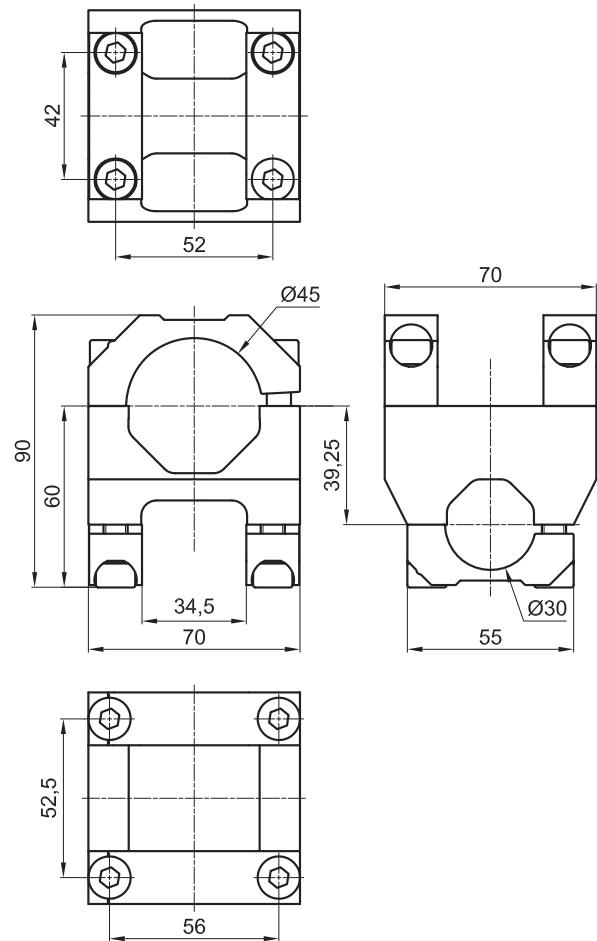
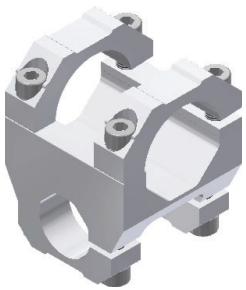
	Tightening torque	Screw
GR8BB70A	25 Nm	M8x25
Material:	Aluminium	
Weight:	0,7 kg	
Max static load:	390	



## Joints

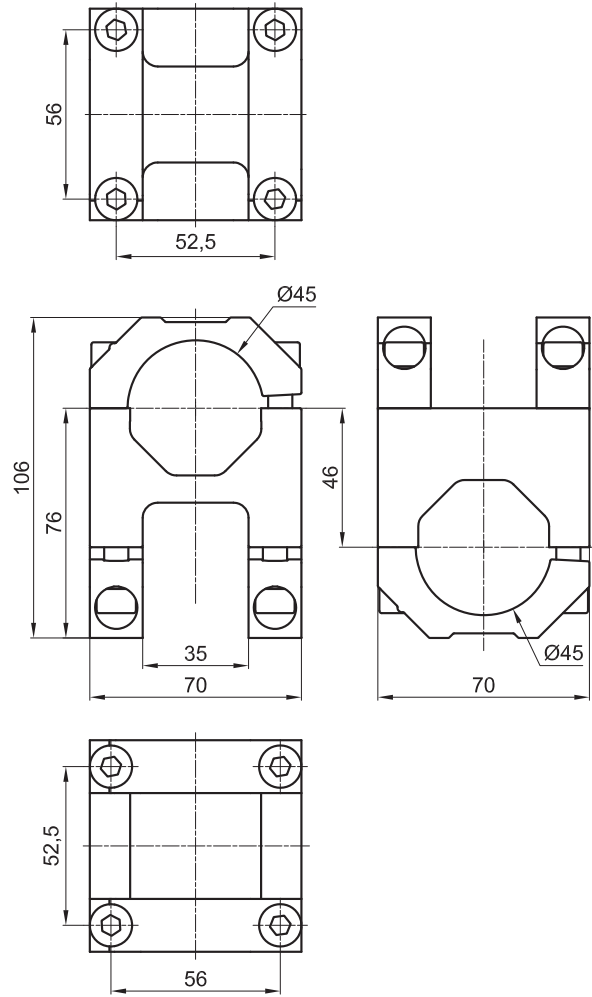


GR8HD4530V Joint 45-30



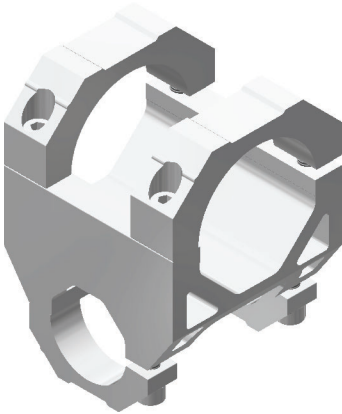
	Tightening torque	Screw
GR8HD4530V	25 Nm	M8x25
<b>Material:</b>	Aluminium	
<b>Weight:</b>	0,5 kg	
<b>Max static load:</b>	290 Nm	

**GR8HD4545V Joint 45-45**

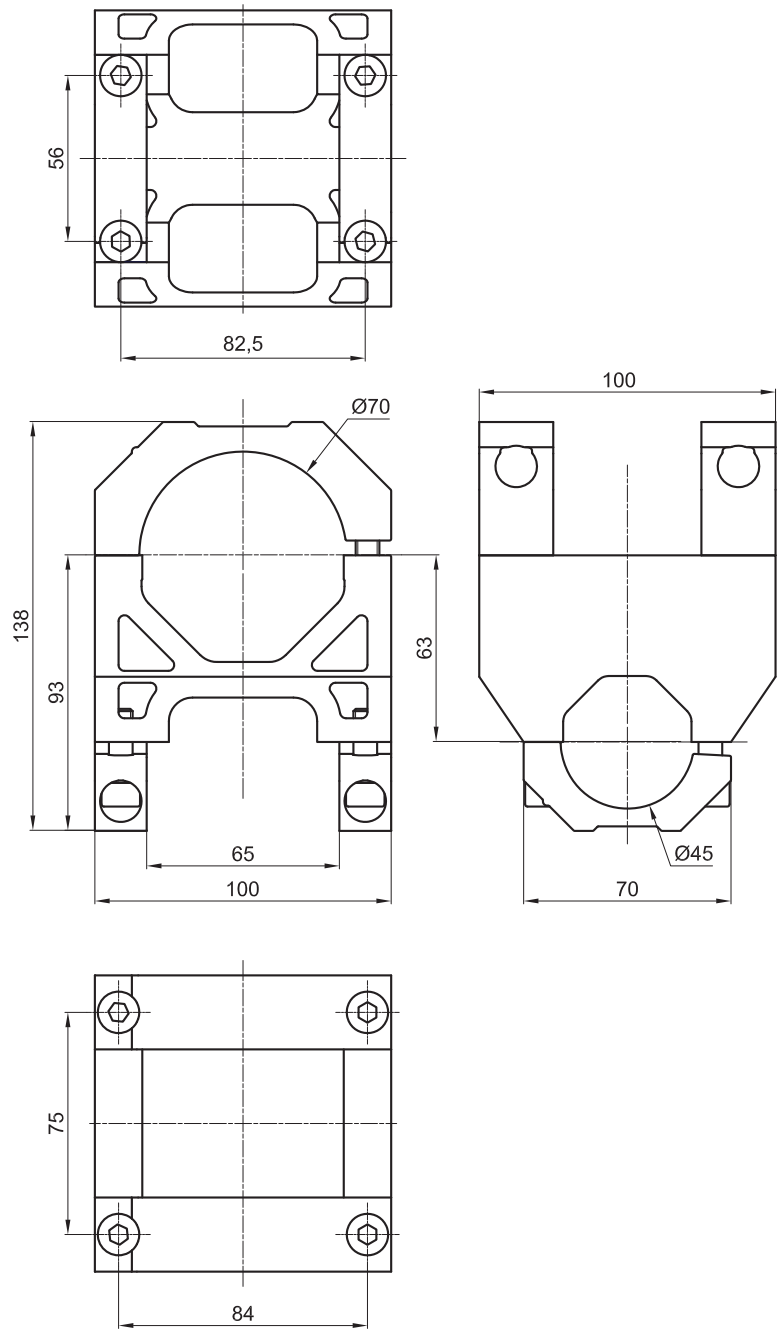


	Tightening torque	Screw
GR8HD4545V	25 Nm	M8x25
Material:	Aluminium	
Weight:	0,54 kg	
Max static load:	480 Nm	

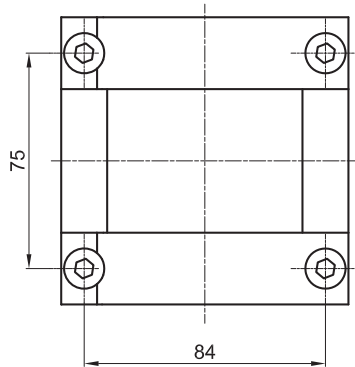
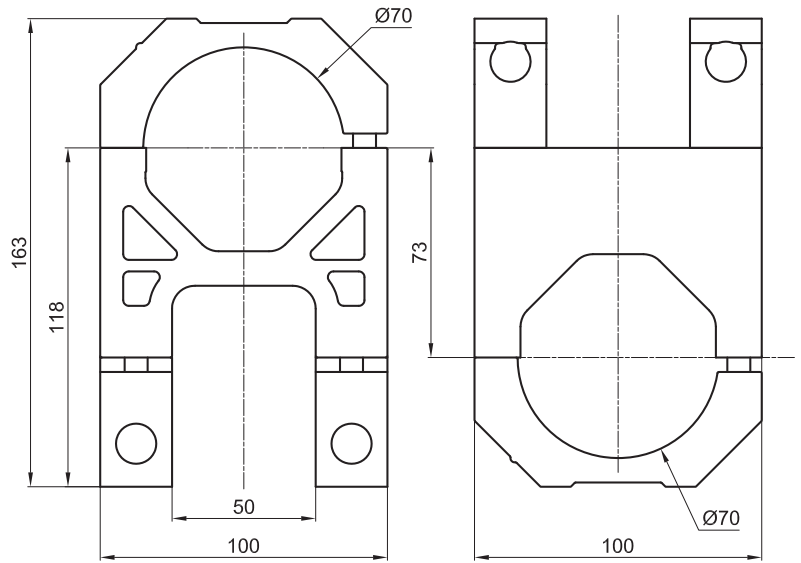
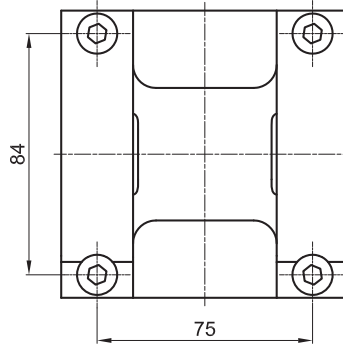
**GR8HD7045 Joint 70-45**



	Tightening torque	Screw
<b>GR8HD7045</b>	25 Nm	M8x25
<b>Material:</b>	Aluminium	
<b>Weight:</b>	1,05 kg	
<b>Max static load:</b>	480 Nm	

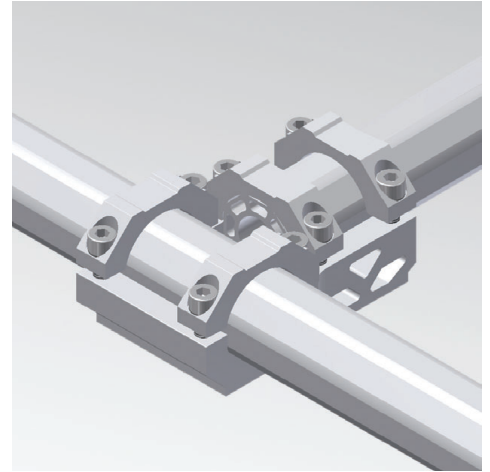


**GR8HD7070 Joint 70-70**

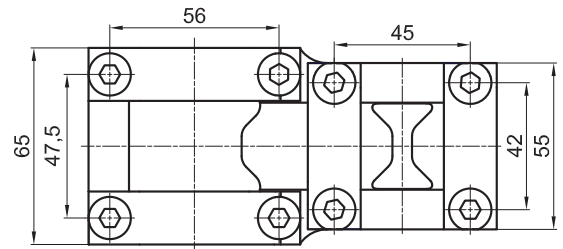
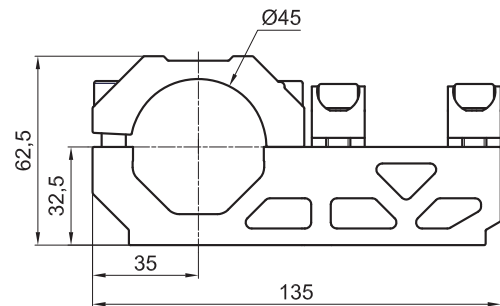
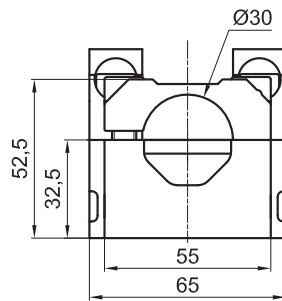
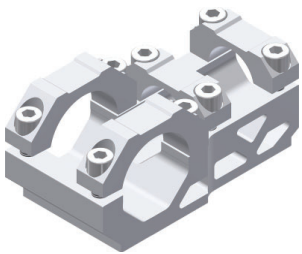


	Tightening torque	Screw
<b>GR8HD7070</b>	25 Nm	M8x25
<b>Material:</b>	Aluminium	
<b>Weight:</b>	1,2 kg	
<b>Max static load:</b>	800 Nm	

## Coplanar mounts

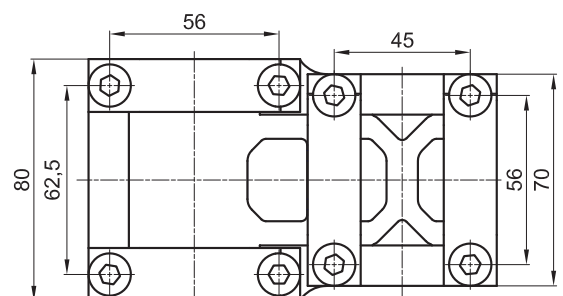
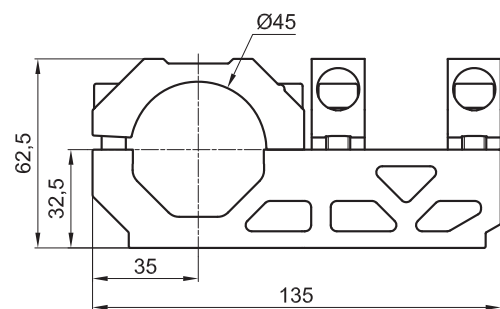
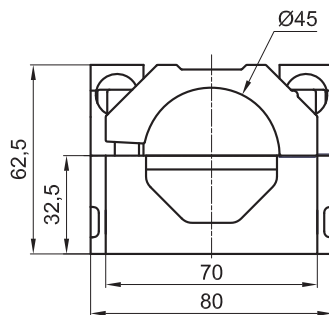
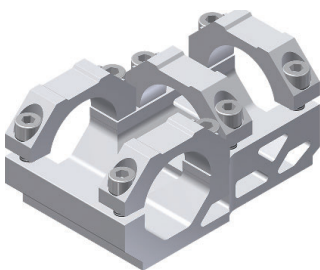


### GR8CM4530 Coplanar mount 45-30



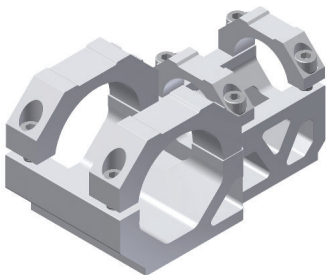
	Tightening torque	Screw
GR8CM4530	25 Nm	M8x25
Material:	Aluminium	
Weight:	0,6 kg	
Max static load:	280 Nm	

### GR8CM4545 Coplanar mount 45-45

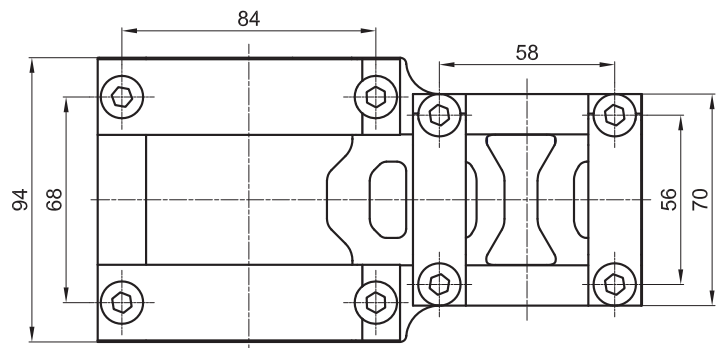
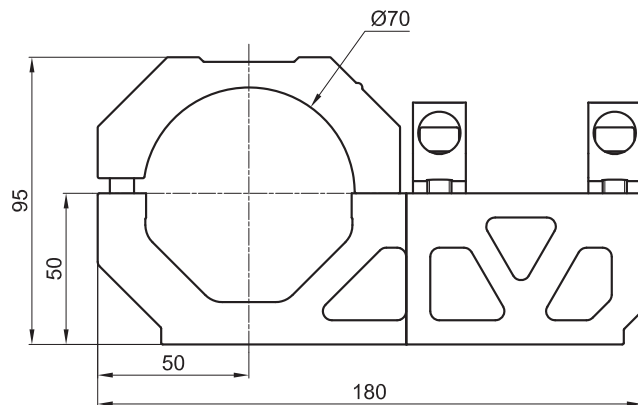
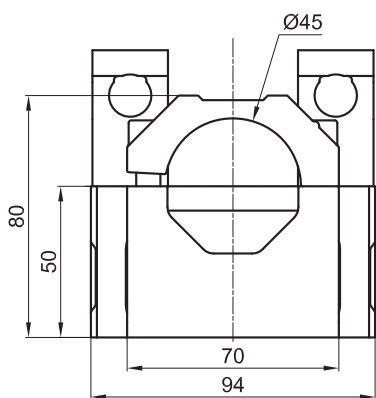


	Tightening torque	Screw
GR8CM4545	25 Nm	M8x25
Material:	Aluminium	
Weight:	0,68 kg	
Max static load:	280 Nm	

**GR8CM7045 Coplanar mount 70-45**

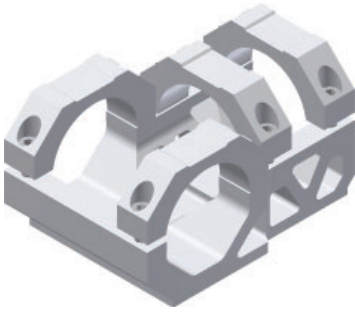


	Tightening torque	Screw
<b>GR8CM7045</b>	25 Nm	M8x25
<b>Material:</b>	Aluminium	
<b>Weight:</b>	1,4 kg	
<b>Max static load:</b>	470 Nm	

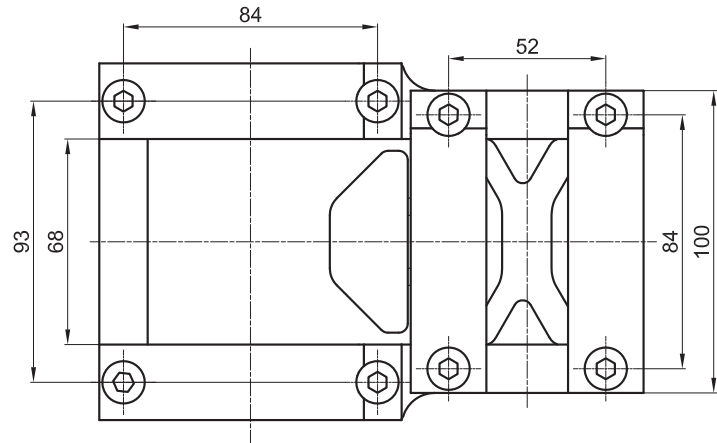
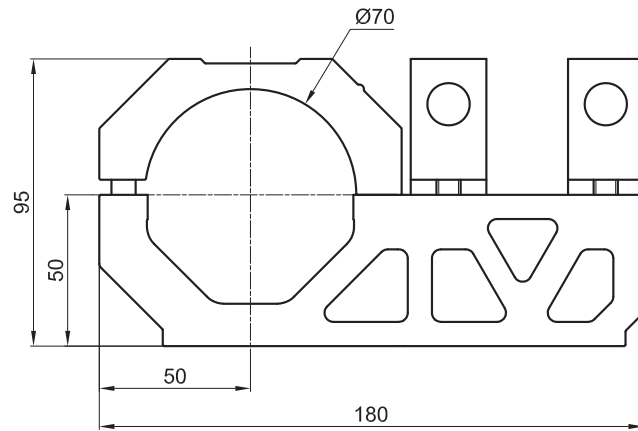
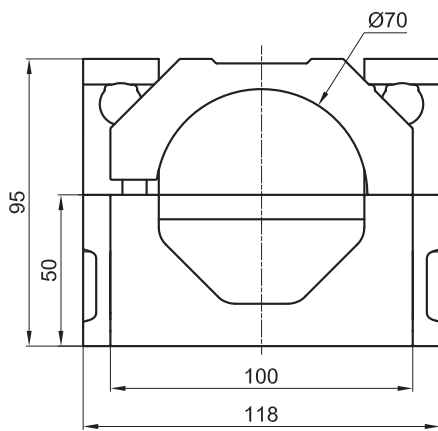




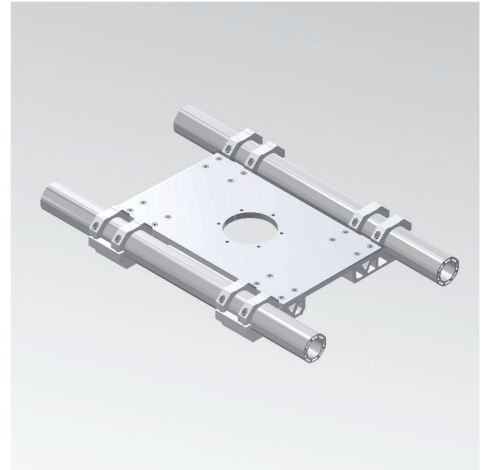
**GR8CM7070 Coplanar mount 70-70**



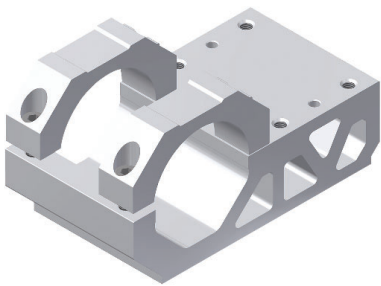
	Tightening torque	Screw
<b>GR8CM7070</b>	25 Nm	M8x25
<b>Material:</b>	Aluminium	
<b>Weight:</b>	1,68 kg	
<b>Max static load:</b>	750 Nm	



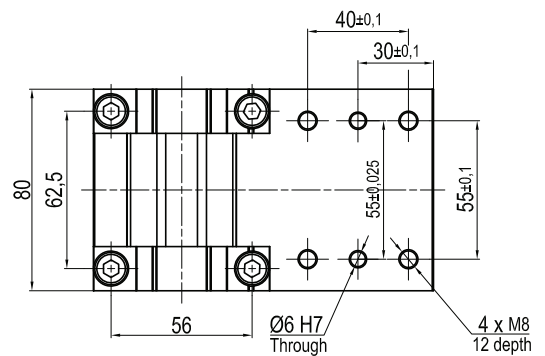
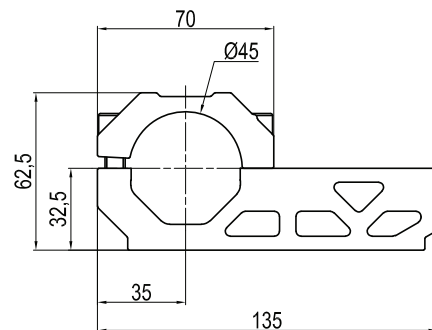
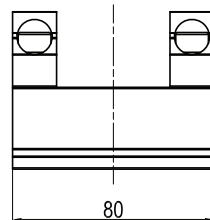
## Base linear plates



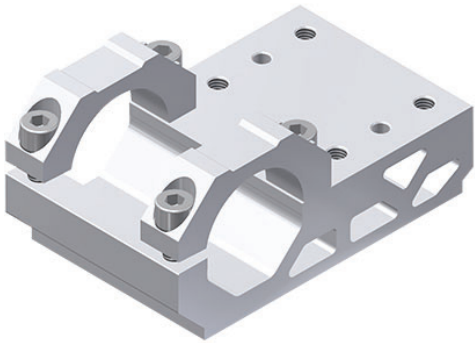
### GR8BL45 Base linear plate 45



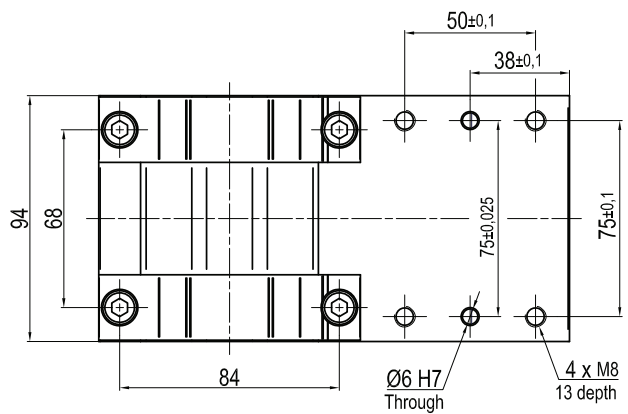
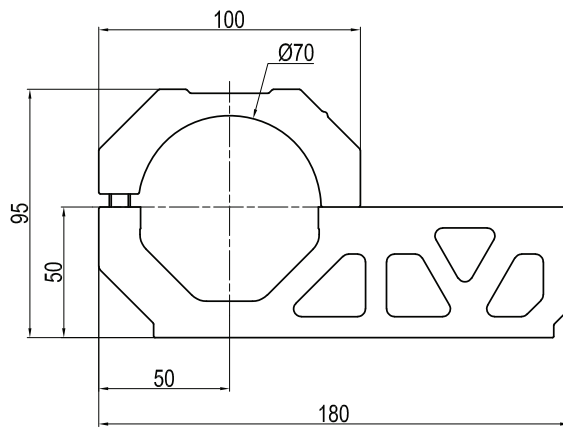
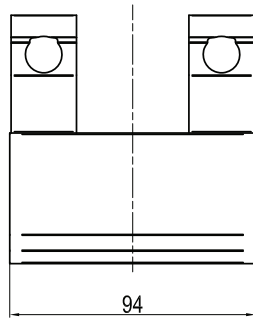
	Tightening torque	Screw
GR8BL45	25 Nm	M8x25
Material:	Aluminium	
Weight:	0,72 kg	
Max. static load:	470 Nm	



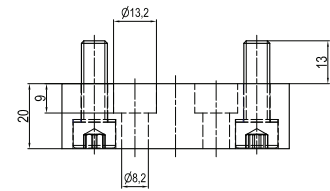
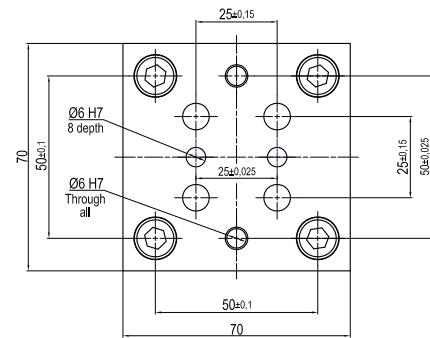
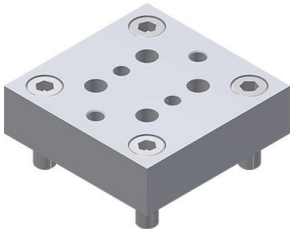
**GR8BL70** Base linear plate 70



	Tightening torque	Screw
<b>GR8BL70</b>	25 Nm	M8x25
<b>Material:</b>	Aluminium	
<b>Weight:</b>	1,56 kg	
<b>Max. static load:</b>	690 Nm	



**GR8BB4530B Base plate**



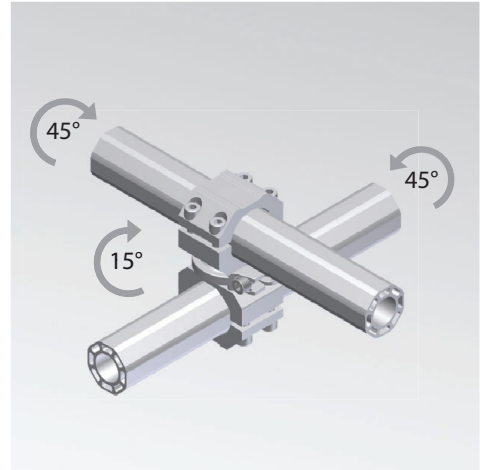
	Tightening torque	Screw
GR8BB4530B	25 Nm	M8x25
Material:	Aluminium	
Weight:	0,3 kg	

# 3

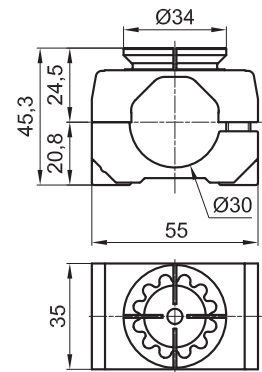
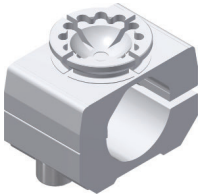
## JOINTS

	Cross joints	GR8CJ30C	38
		GR8CJ30D	38
		GR8CJ45C	39
		GR8CJ45D	39
		GR8CJ70C	40
		GR8CJ70D	40
	Double cross joints	GR8CJD30C	41
		GR8CJD30D	41
		GR8CJD45C	42
		GR8CJD45D	42
	Round joints	GR8RJ30C	43
		GR8RJ30D	43
		GR8RJ45C	44
		GR8RJ45D	44
		GR8RJ70C	45
		GR8RJ70D	45
	Base connector	GR8BC30	46
		GR8BC45	46
		GR8BC70	46
	Adaptors octagon	GR8R3025	47
		GR8R4540	47

## Cross joints

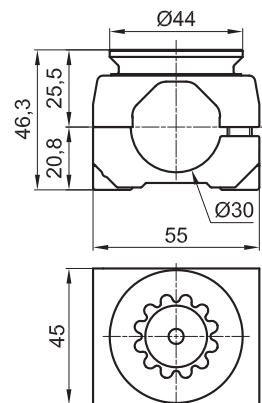


### GR8CJ30C Cross joint 30 for ball mounting



	Tightening torque	Screw
GR8CJ30C	25 Nm	M8x25
Material:	Aluminium	
Weight:	0,145 kg	
Max static load:	80 Nm	

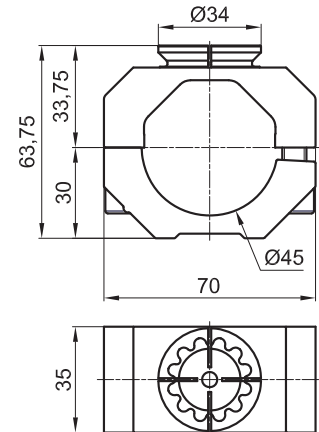
### GR8CJ30D Cross joint 30 D



	Tightening torque	Screw
GR8CJ30D	25 Nm	M8x25
Material:	Aluminium	
Weight:	0,21 kg	
Max static load:	200 Nm	

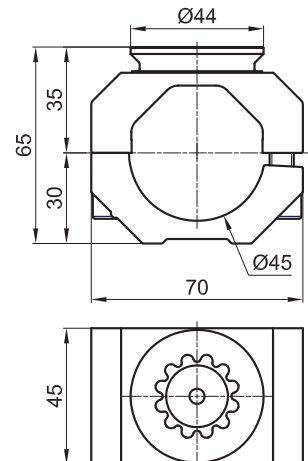


## GR8CJ45C Cross joint 45 for ball mounting



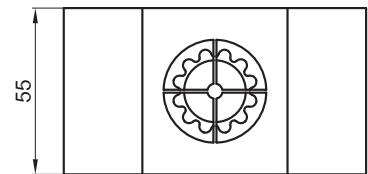
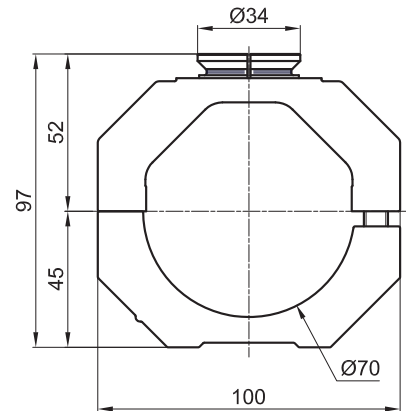
	Tightening torque	Screw
GR8CJ45C	25 Nm	M8x25
<b>Material:</b>	Aluminium	
<b>Weight:</b>	0,230 kg	
<b>Max static load:</b>	80 Nm	

## GR8CJ45D Cross joint 45



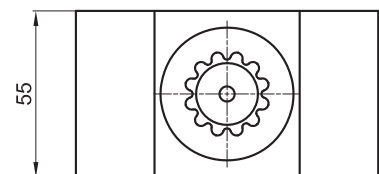
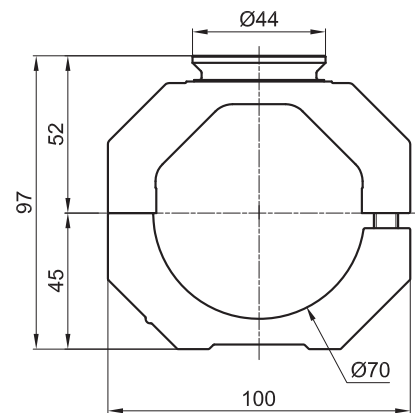
	Tightening torque	Screw
GR8CJ45D	25 Nm	M8x25
<b>Material:</b>	Aluminium	
<b>Weight:</b>	0,3 kg	
<b>Max static load:</b>	200 Nm	

## GR8CJ70C Cross joint 70 for ball mounting



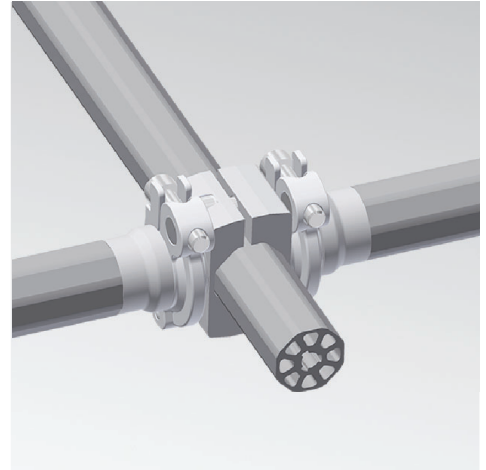
	Tightening torque	Screw
GR8CJ70C	25 Nm	M8x25
Material:	Aluminium	
Weight:	0,59 kg	
Max static load:	80 Nm	

## GR8CJ70D Cross joint 70 D

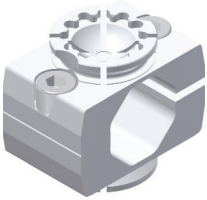


	Tightening torque	Screw
GR8CJ70D	25 Nm	M8x25
Material:	Aluminium	
Weight:	0,62 kg	
Max static load:	200 Nm	

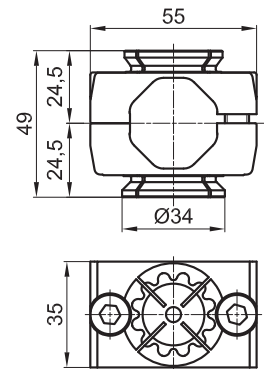
## Double cross joint



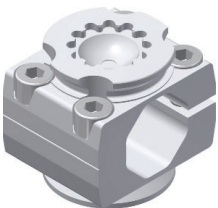
### GR8CJD30C Double cross joint 30 for ball mounting



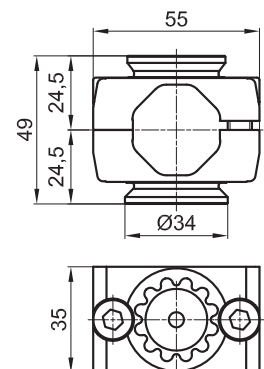
	Tightening torque	Screw
<b>GR8CJD30C</b>	25 Nm	M8x20
<b>Material:</b>	Aluminium	
<b>Weight:</b>	0,140 kg	
<b>Max static load:</b>	80 Nm	



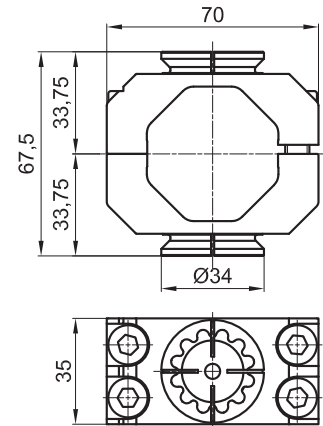
### GR8CJD30D Double cross joint 45 for ball mounting



	Tightening torque	Screw
<b>GR8CJD30D</b>	25 Nm	M8x20
<b>Material:</b>	Aluminium	
<b>Weight:</b>	0,22 kg	
<b>Max static load:</b>	200 Nm	



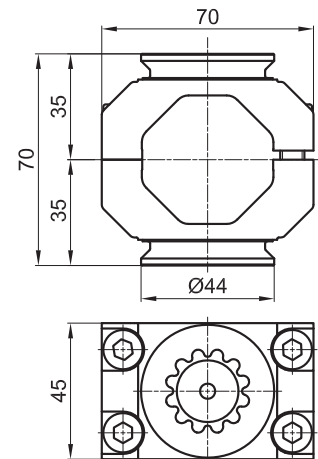
## GR8CJD45C Double cross joint 45 for ball mounting



	Tightening torque	Screw
GR8CJD45C	25 Nm	M8x25

Material:	Aluminium
Weight:	0,22 kg
Max static load:	80 Nm

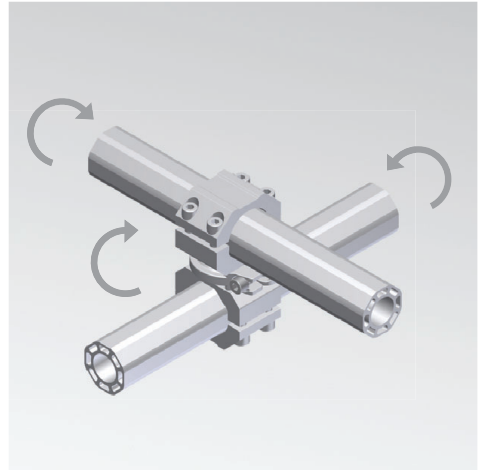
## GR8CJD45D Double cross joint 45 D



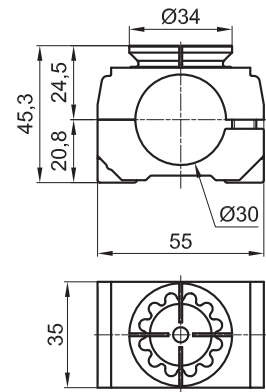
	Tightening torque	Screw
GR8CJD45D	25 Nm	M8x25

Material:	Aluminium
Weight:	0,32 kg
Max static load:	200 Nm

## Round joints

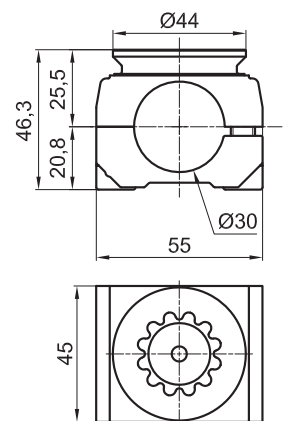


### GR8RJ30C Round joint 30 for ball mounting



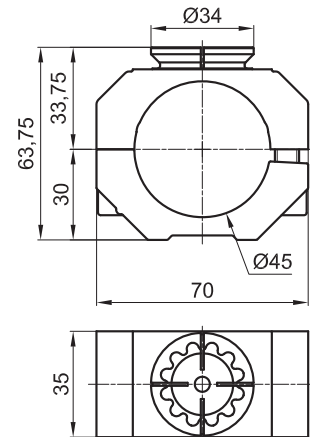
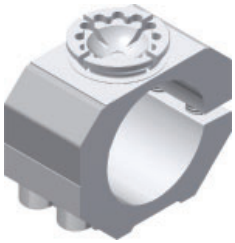
	Tightening torque	Screw
GR8RJ30C	25 Nm	M8x25
Material:	Aluminium EN AW 6005 T6	
Weight:	0,144 kg	
Max static load:	80 Nm	

### GR8RJ30D Round joint 30 D



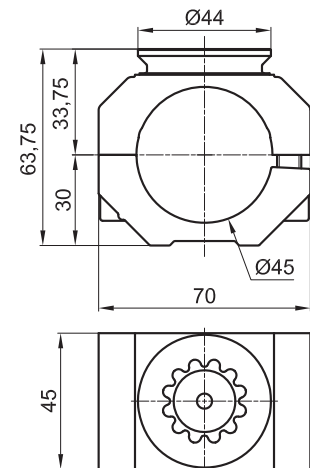
	Tightening torque	Screw
GR8RJ30D	25 Nm	M8x25
Material:	Aluminium	
Weight:	0,21 kg	
Max static load:	200 Nm	

## GR8RJ45C Round joint 45 for ball mounting



	Tightening torque	Screw
GR8RJ45C	25 Nm	M8x25
<b>Material:</b>	Aluminium	
<b>Weight:</b>	0,22 kg	
<b>Max static load:</b>	80 Nm	

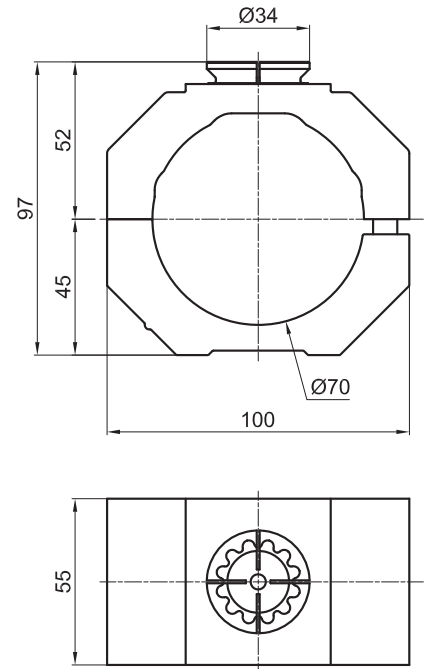
## GR8RJ45D Round joint 45 D



	Tightening torque	Screw
GR8RJ45D	25 Nm	M8x25
<b>Material:</b>	Aluminium	
<b>Weight:</b>	0,3 kg	
<b>Max static load:</b>	200 Nm	

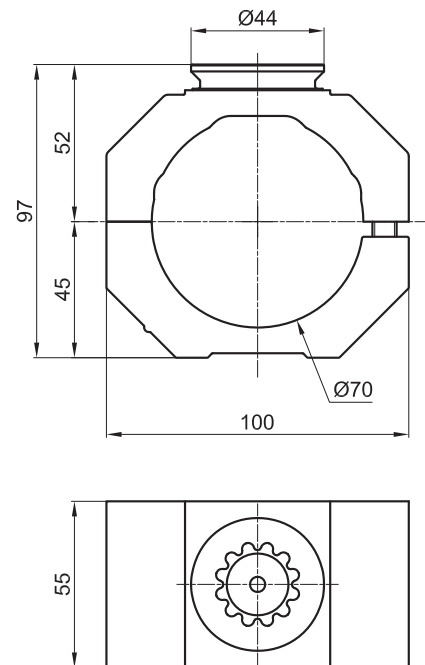


**GR8RJ70C** Round joint 70 for ball mounting

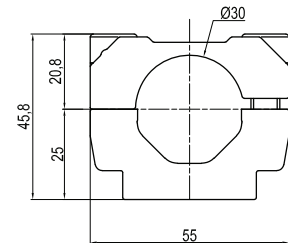
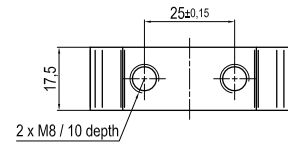


	Tightening torque	Screw
<b>GR8RJ70C</b>	25 Nm	M8x25
<b>Material:</b>	Aluminium	
<b>Weight:</b>	0,59 kg	
<b>Max static load:</b>	80 Nm	

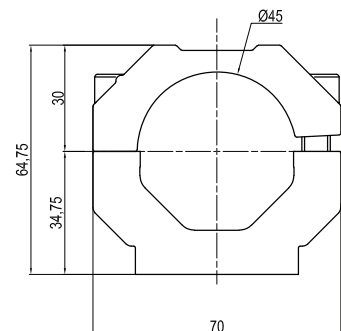
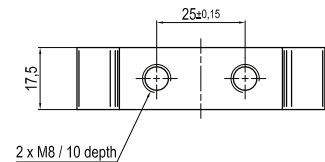
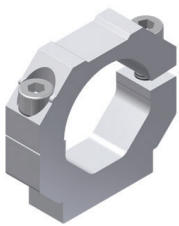
**GR8RJ70D** Round joint 70 D



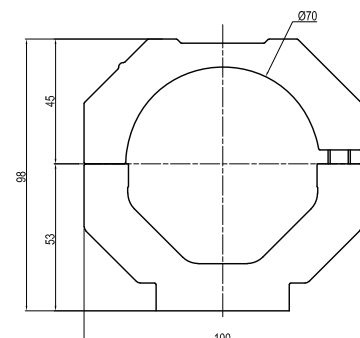
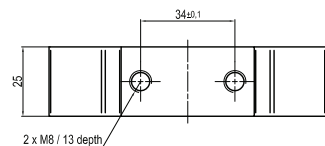
	Tightening torque	Screw
<b>GR8RJ70D</b>	25 Nm	M8x25
<b>Material:</b>	Aluminium	
<b>Weight:</b>	0,6 kg	
<b>Max static load:</b>	200 Nm	

**GR8BC30 30 mm base connector**


	Tightening torque	Screw
GR8BC30	25 Nm	M8x25
<b>Material:</b>	Aluminium	
<b>Weight:</b>	0,1 kg	

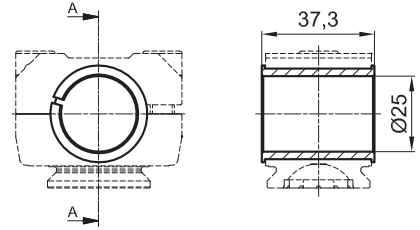
**GR8BC45 45 mm base connector**


	Tightening torque	Screw
GR8BC45	25 Nm	M8x25
<b>Material:</b>	Aluminium	
<b>Weight:</b>	0,127 kg	

**GR8BC70 70 mm base connector**


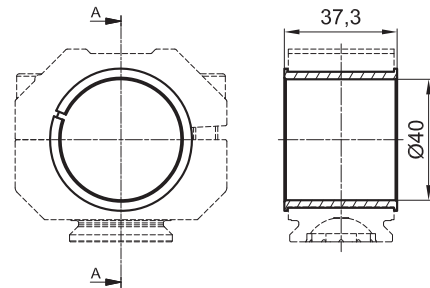
	Tightening torque	Screw
GR8R30D	25 Nm	M8x25
<b>Material:</b>	Aluminium	
<b>Weight:</b>	0,3 kg	

## GR8R3025 Adaptor octagon 30 to round 45



Material:	Steel
Weight:	0,063 kg

## GR8R4540 Adaptor octagon 45 to round 40





Material:	Steel
Weight:	0,098 kg



# 4

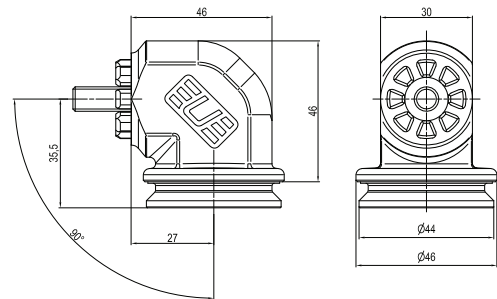
## ANGLE ADAPTERS

	Edge mount orientable side	GR8A30D GR8A45D	50 50
	Edge mounting element 90°	GR8SM3030 GR8SM4545	51 51

## Edge mounting element with an orientable side

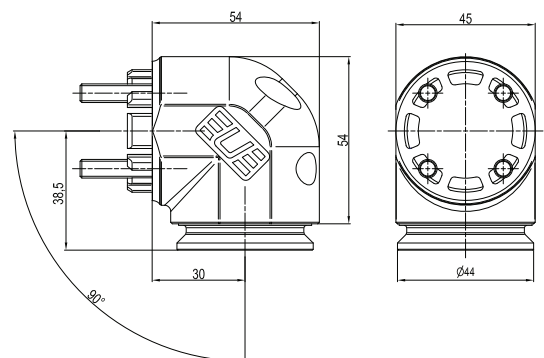
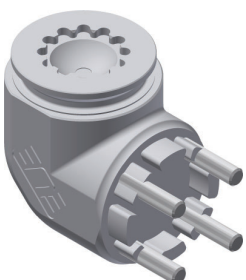


### GR8A30D Edge mount orientable side for 30 mm boom D



	Tightening torque	Screw
<b>GR8A30D</b>	25 Nm	M8x30
<b>Material:</b>	Aluminium	
<b>Weight:</b>	0,172 kg	
<b>Max static load:</b>	200 Nm	

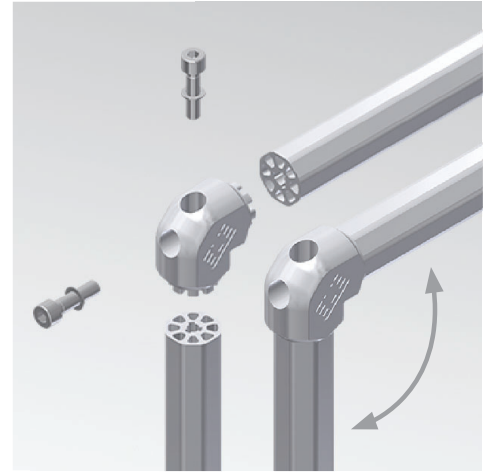
### GR8A45D Edge mount orientable side for 45 mm boom D



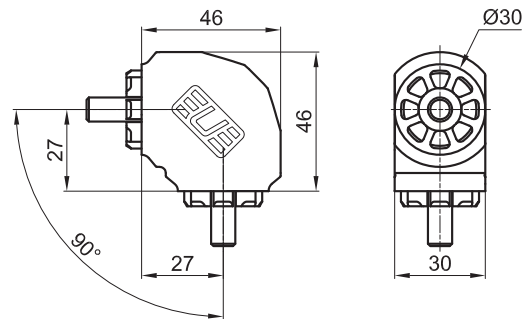
	Tightening torque	Screw
<b>GR8A45D</b>	25 Nm	M6x30
<b>Material:</b>	Aluminium	
<b>Weight:</b>	0,3 kg	
<b>Max static load:</b>	200 Nm	



## Edge mounting element 90°

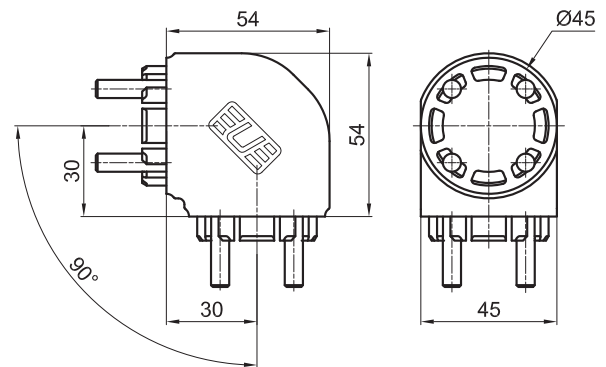
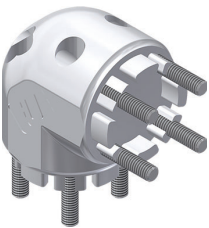


### GR8SM3030 Edge mounting 30-30



	Tightening torque	Screw
<b>GR8SM3030</b>	25 Nm	M8x30
<b>Material:</b>	Aluminium	
<b>Weight:</b>	0,12 kg	
<b>Max static load:</b>	200 Nm	

### GR8SM4545 Edge mounting 30-45



	Tightening torque	Screw
<b>GR8SM4545</b>	25 Nm	M6x30
<b>Material:</b>	Aluminium	
<b>Weight:</b>	0,28 kg	
<b>Max static load:</b>	200 Nm	



# 5

## BALL ADAPTERS



Proximity mounts

GR8MP12	54
GR8MP18	54
GR8MP30	55
GR8MP19	55



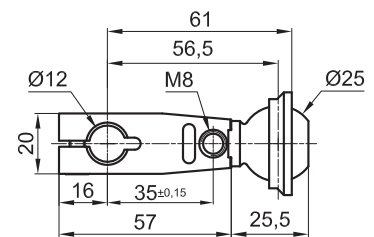
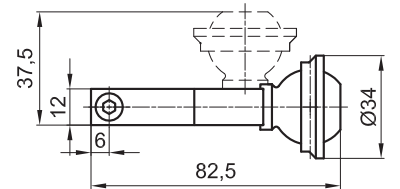
Ball mounts

GR8SCB30	56
GR8SCB45	56

## Proximity mounts

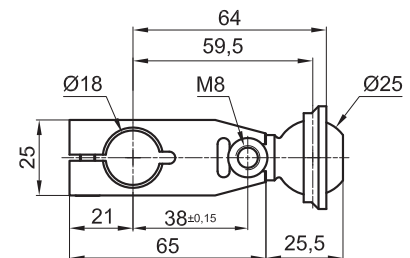
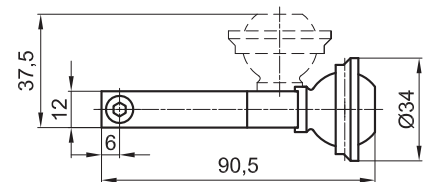


### GR8MP12 Proximity mount 12 mm

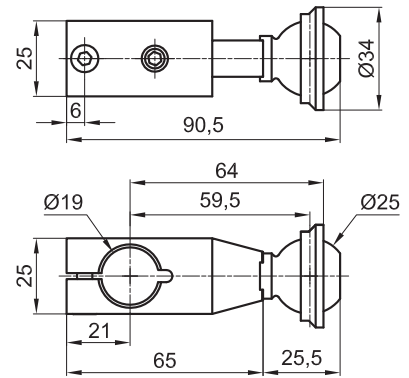
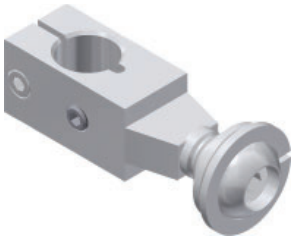


	Tightening torque	Screw
<b>GR8MP12</b>	25 Nm	M5x14 and M8x25
<b>Material:</b>	Aluminium	
<b>Weight:</b>	0,111 kg	

### GR8MP18 Proximity mount 18 mm

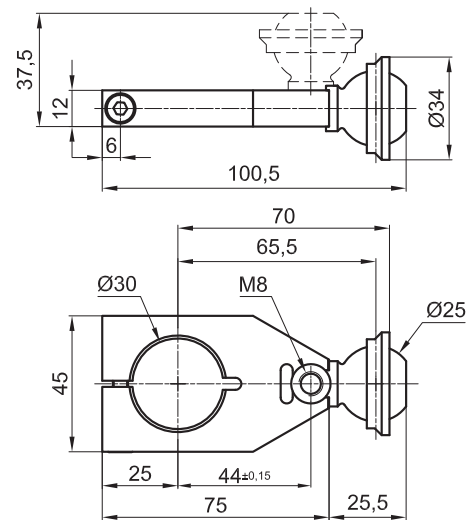


	Tightening torque	Screw
<b>GR8MP18</b>	25 Nm	M5x18 and M8x25
<b>Material:</b>	Aluminium	
<b>Weight:</b>	0,122 kg	

**GR8MP19 Vacuum cup adapter**


	Tightening torque	Screw
<b>GR8MP19</b>	25 Nm	M5x14 and M8x25

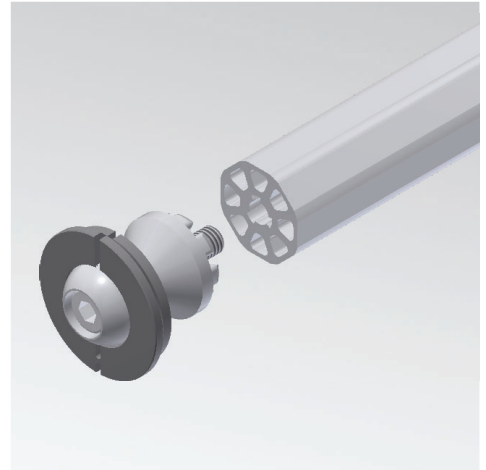
**Material:** Aluminium  
**Weight:** 0,113 kg

**GR8MP30 Proximity mount 30 mm**


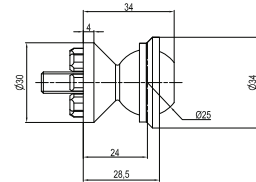
	Tightening torque	Screw
<b>GR8MP30</b>	25 Nm	M5x30 and M8x25

**Material:** Aluminium  
**Weight:** 0,155 kg

## Ball mounts



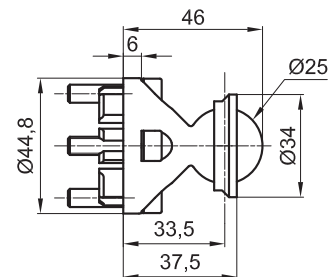
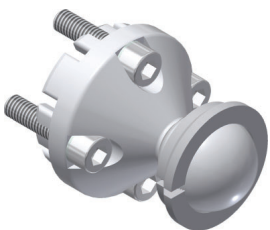
### GR8SCB30 Ball mount 30



	Tightening torque	Screw
GR8SCB30	25 Nm	M8x40

Material: Steel  
Weight: 0,134 kg

### GR8SCB45 Ball mount 45

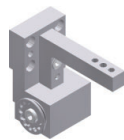


	Tightening torque	Screw
GR8SCB45	25 Nm	M6x25

Material: Steel  
Weight: 0,252 kg

# 6

## FRONT MOUNT PLATES



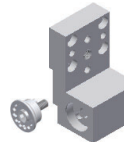
Front mount plates

GR8MF40D	58
GR8MF50D	59
GR8MFGLD	60



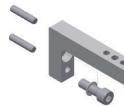
Interlocking adapters

GR8RMF4050AD	61
--------------	----



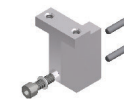
Mount plates

GR8MF40PD	62
GR8MF50PD	62



Mount flange angles

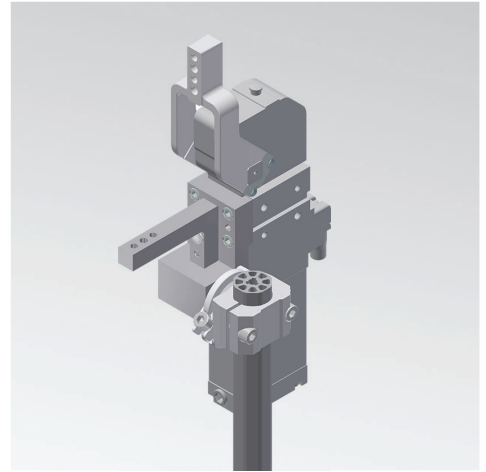
GR8RMF40C	63
GR8RMF50C	63



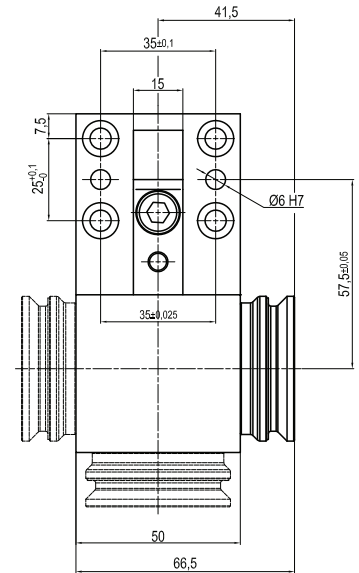
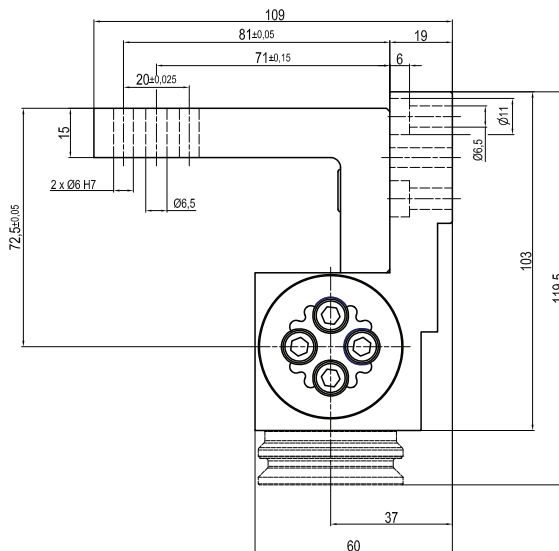
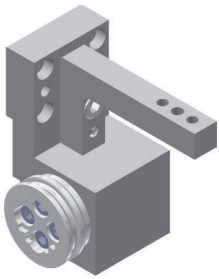
Counter mounts

GR8MFGLC	64
----------	----

## Front mount plates



### GR8MF40D Front mount plate D for clamp size 40



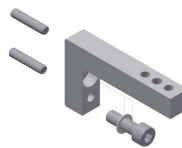
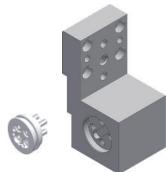
	Tightening torque	Screw
GR8MF40D	25 Nm	M6x25 and M8x25
<b>Material:</b>	Aluminium	
<b>Weight:</b>	0,57 kg	
<b>Max static load:</b>	200 Nm	

#### Composed of:

**GR8RMF4050AD**  
Interlocking adapter

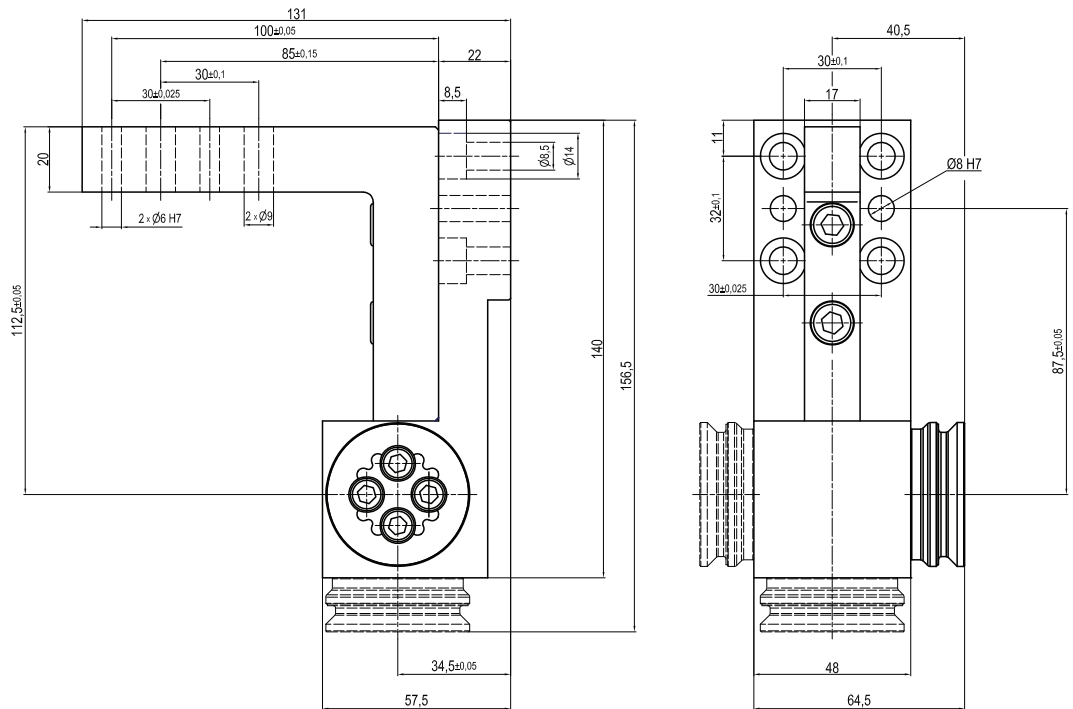
**GR8MF40PD**  
Mount plate

**GR8RMF40C**  
Mount flange angle





**GR8MF50D** Front mount plate D for clamp size 50/63



	Tightening torque	Screw
GR8MF50D	25 Nm	M6x25 and M8x25

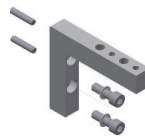
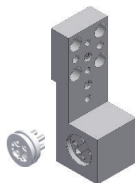
**Material:** Aluminium  
**Weight:** 0,74 kg  
**Max static load:** 200 Nm

**Composed of:**

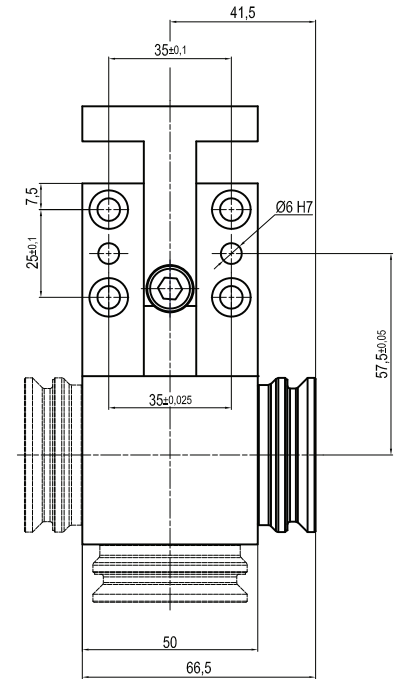
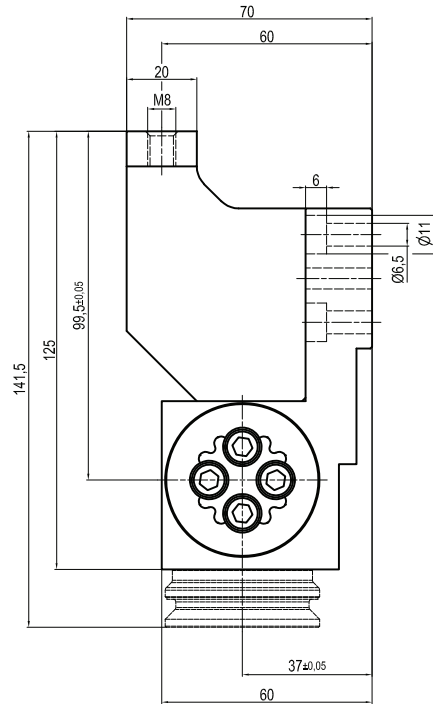
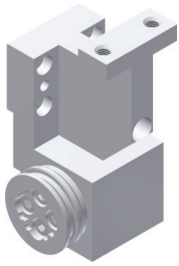
**GR8RMF4050AD**  
Interlocking adapter

**GR8MF50PD**  
Mount plate

**GR8RMF50C**  
Mount flange angle



**GR8MFGLD** Front mount plate D for gripper unit



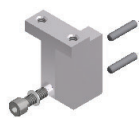
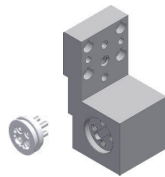
	Tightening torque	Screw
<b>GR8MFGLD</b>	25 Nm	M8x25 and M6x25
<b>Material:</b>	Aluminium	
<b>Weight:</b>	0,64 kg	
<b>Max static load:</b>	200 Nm	

**Composed of:**

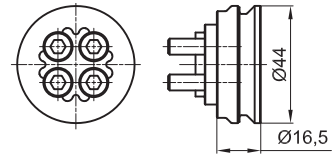
**GR8RMF4050AD**  
Interlocking adapter

**GR8MF40PD**  
Mount plate

**GR8MFGLC**  
Counter mount

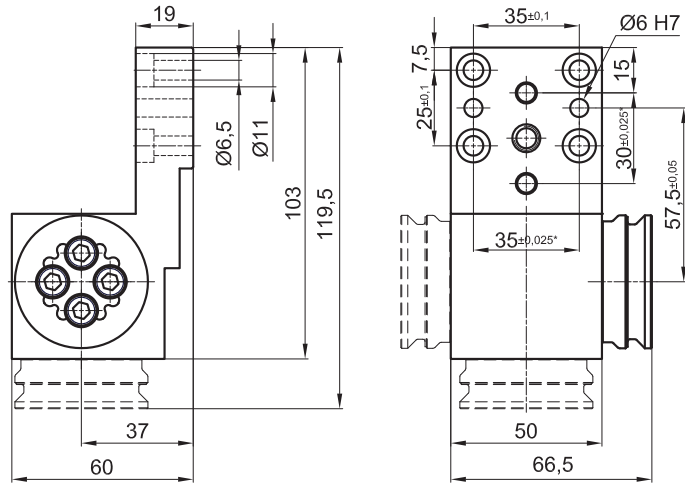
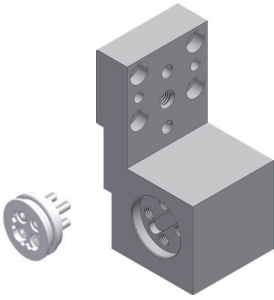


**GR8RMF4050AD Interlocking adapter for GR8MF40D, GR8MF50D, GR8MFGLD**



	Tightening torque	Screw
<b>GR8RMF4050AD</b>	25 Nm	M6x25
<b>Material:</b>	Aluminium	
<b>Weight:</b>	0,09 kg	
<b>Max static load:</b>	200 Nm	

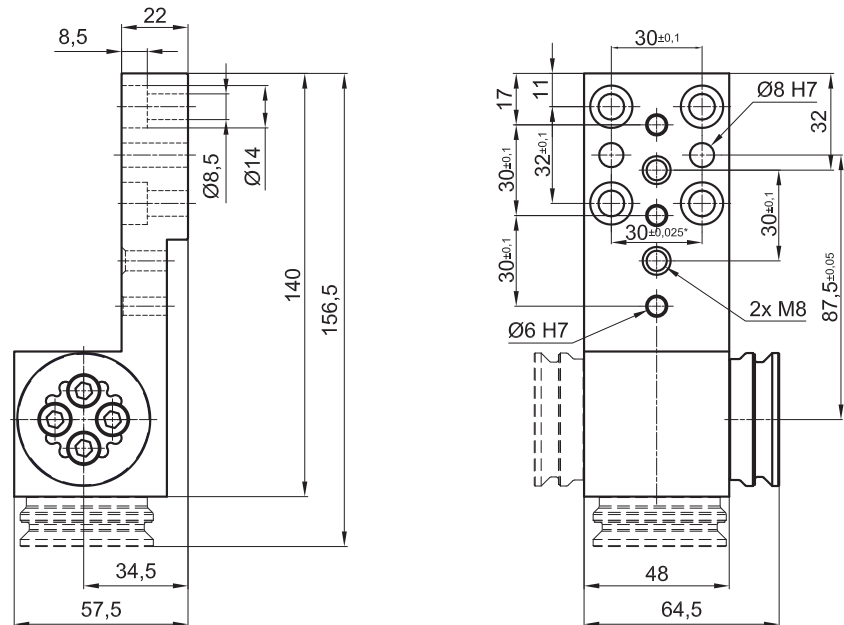
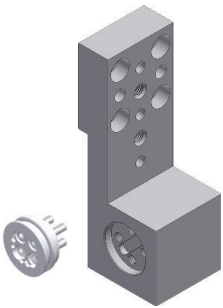
**GR8MF40PD** Mount plate for GR8MF40D and GR8MFGLD



	Tightening torque	Screw
GR8MF40PD	25 Nm	M6x25

<b>Material:</b>	Aluminium
<b>Weight:</b>	0,501 kg
<b>Max static load:</b>	200 Nm

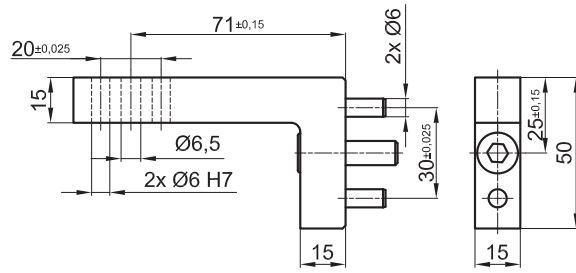
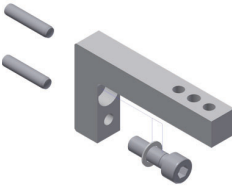
**GR8MF50PD** Mount plate for GR8MF50D



	Tightening torque	Screw
GR8MF50PD	25 Nm	M6x25

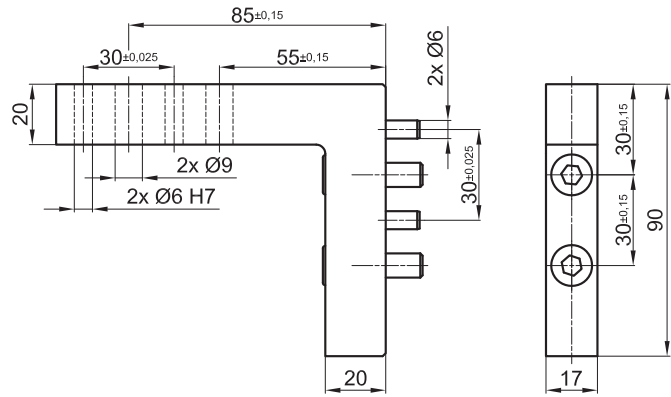
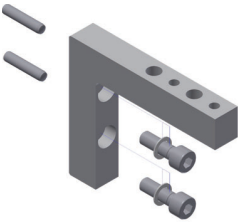
<b>Material:</b>	Aluminium
<b>Weight:</b>	0,55 kg
<b>Max static load:</b>	200 Nm

**GR8RMF40C Mount flange for GR8MF40D**



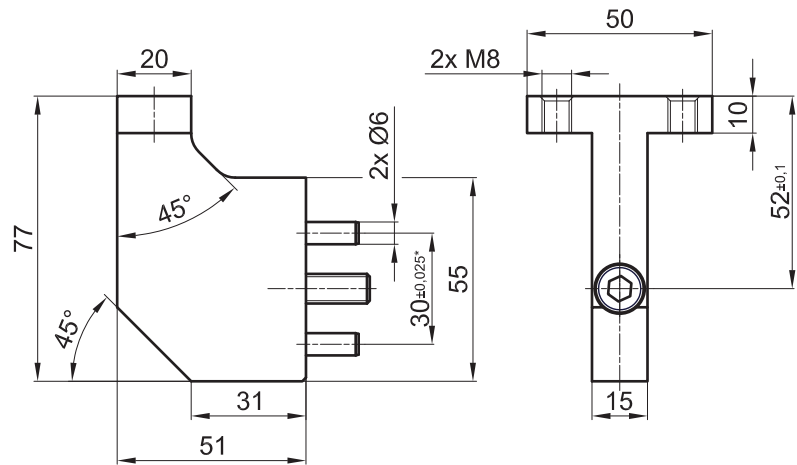
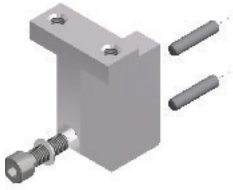
	Tightening torque	Screw
<b>GR8RMF40C</b>	25 Nm	M8x25
<b>Material:</b>	Aluminium	
<b>Weight:</b>	0,093 kg	

**GR8RMF50C Mount flange angle for GR8MF50D**



	Tightening torque	Screw
<b>GR8RMF50C</b>	25 Nm	M8x25
<b>Material:</b>	Aluminium	
<b>Weight:</b>	0,187 kg	


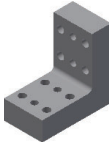
**GR8MFGLC Counter mount for GR8MFGLD**



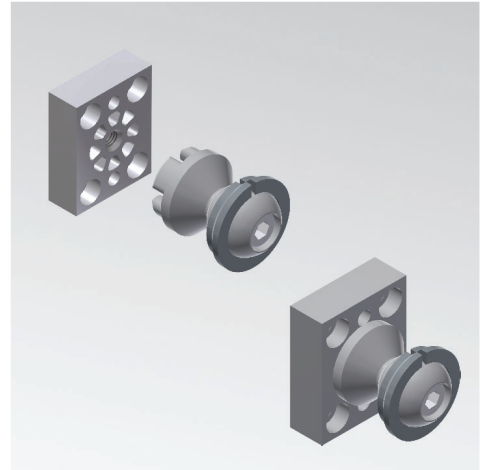
	Tightening torque	Screw
GR8MFGLC	25 Nm	M8x25
Material:	Aluminium	
Weight:	0,149 kg	

# 7

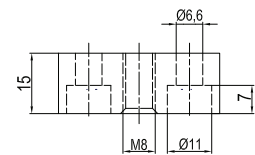
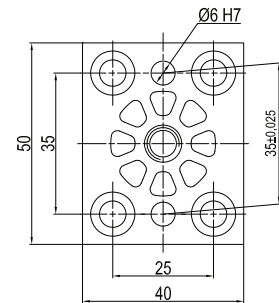
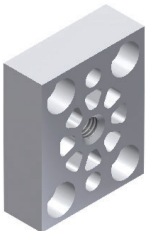
## REAR MOUNT PLATES

	Rear mount plates	GR8SR40	66
		GR8SR40D	66
		GR8SR50	67
		GR8SR50D	67
		GR8SR50M8	68
		GR8SR50M8D	68
		GR8SB4530	69
		GR8SB4530M8	69
	Flange mounts	GR8SSLC	70
		GR8SSLCM8	70

## Rear mount plates

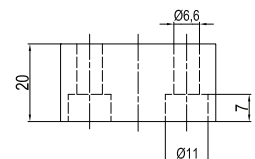
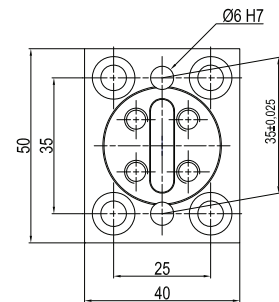
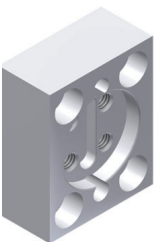


### GR8SR40 Rear mount plate for clamps size 40



	Tightening torque	Screw
GR8SR40	25 Nm	M8
<b>Material:</b>	Aluminium	
<b>Weight:</b>	0,065 kg	

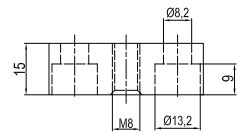
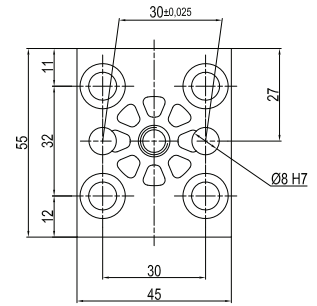
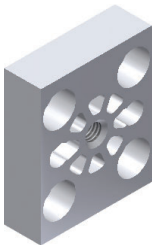
### GR8SR40D Rear mount plate D for clamps size 40



	Tightening torque	Screw
GR8SR40D	25 Nm	M8
<b>Material:</b>	Aluminium	
<b>Weight:</b>	0,079 kg	

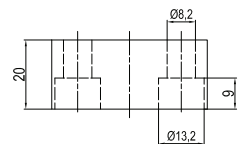
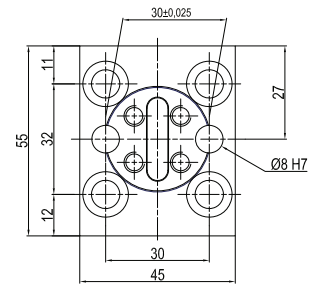
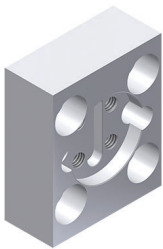


**GR8SR50** Rear mount plate for pin units size 50



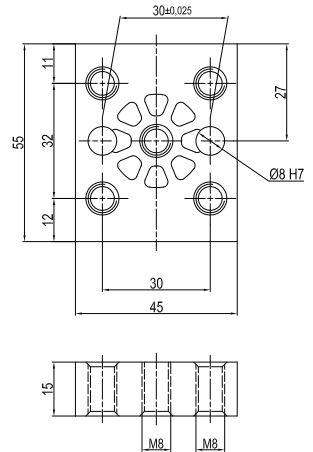
	Tightening torque	Screw
GR8SR50	25 Nm	M8
<b>Material:</b>	Aluminium	
<b>Weight:</b>	0,075 kg	

**GR8SR50D** Rear mount plate D for pin units size 50



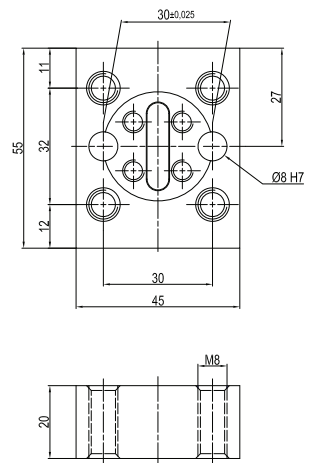
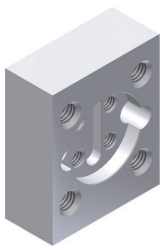
	Tightening torque	Screw
GR8SR50D	25 Nm	M8
<b>Material:</b>	Aluminium	
<b>Weight:</b>	0,096 kg	

**GR8SR50M8** Rear mount plate with M8 threads for clamp size 50/63



	Tightening torque	Screw
<b>GR8SR50M8</b>	25 Nm	M8
<b>Material:</b>	Aluminium	
<b>Weight:</b>	0,085 kg	

**GR8SR50M8D** Rear mount plate D with M8 threads for clamp size 50/63

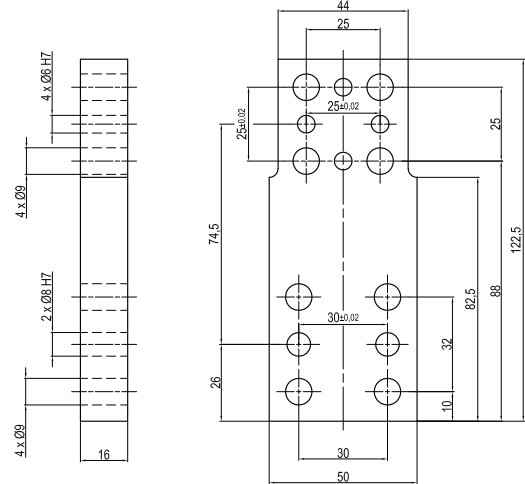


	Tightening torque	Screw
<b>GR8SR50M8D</b>	25 Nm	M8
<b>Material:</b>	Aluminium	
<b>Weight:</b>	0,107 kg	

**GR8SB4530** Rear mount plate



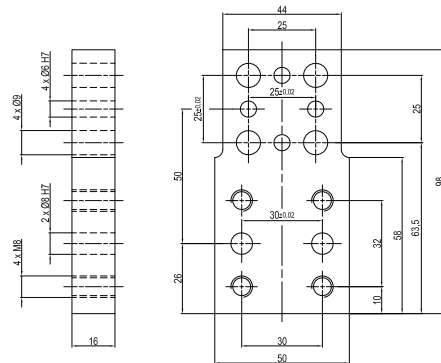
	Tightening torque	Screw
<b>GR8SB4530</b>	25 Nm	M8
<b>Material:</b>	Aluminium	
<b>Weight:</b>	0,168 kg	



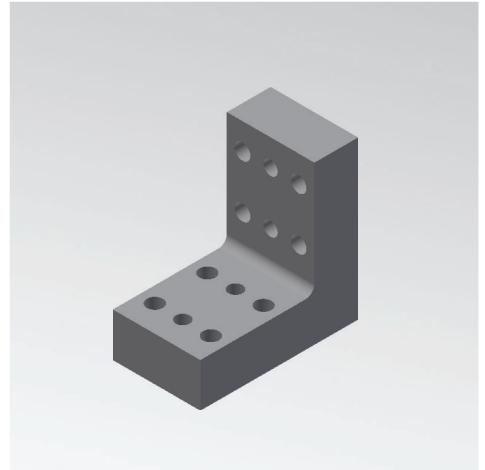
**GR8SB4530M8** Rear mount plate with M8 threads



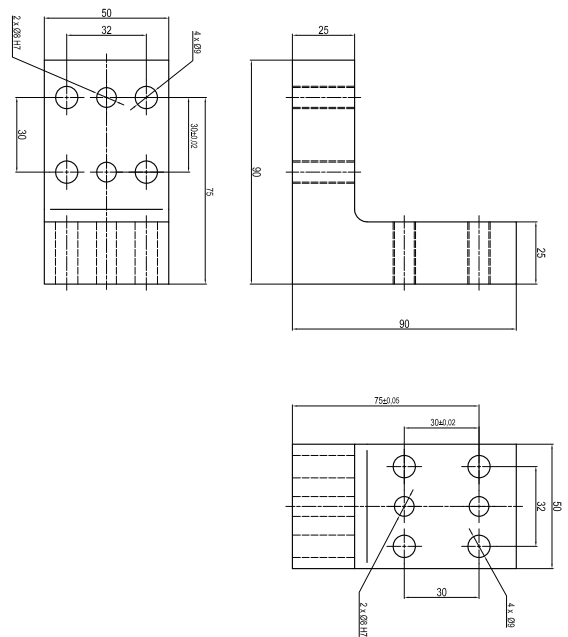
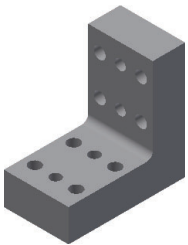
	Tightening torque	Screw
<b>GR8SB4530M8</b>	25 Nm	M8
<b>Material:</b>	Aluminium	
<b>Weight:</b>	0,172 kg	



## Flange mounts for pin units

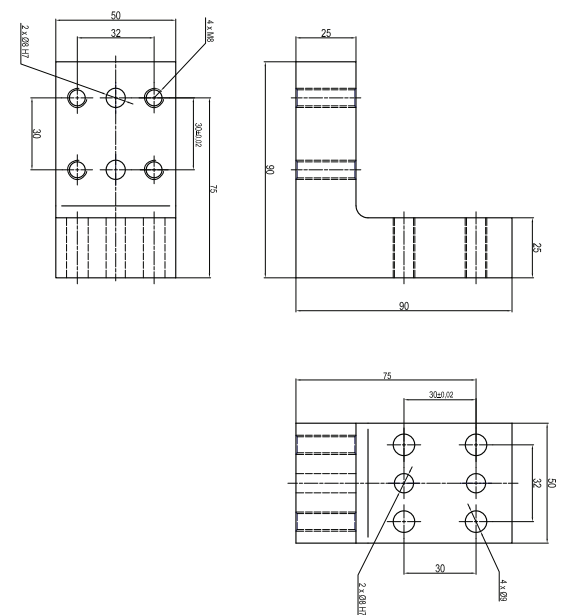
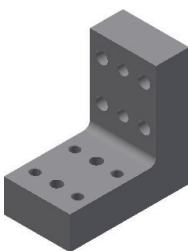


### GR8SSLC Flange mount for pin units



	Tightening torque	Screw
GR8SSLC	25 Nm	M8
Material:	Aluminium	
Weight:	0,478 kg	


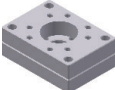
### GR8SSLCM8 Flange mount for pin units with M8 threads



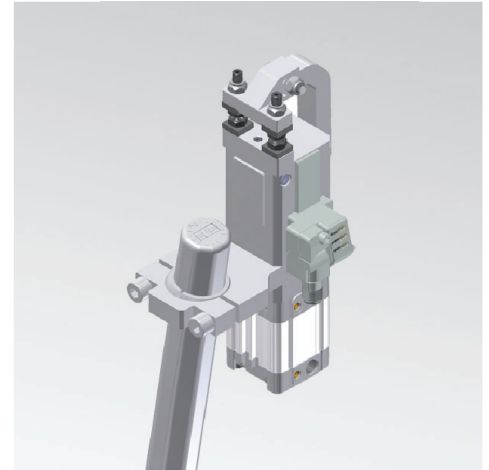
	Tightening torque	Screw
GR8SSLCM8	25 Nm	M8
Material:	Aluminium	
Weight:	0,485 kg	

# 8

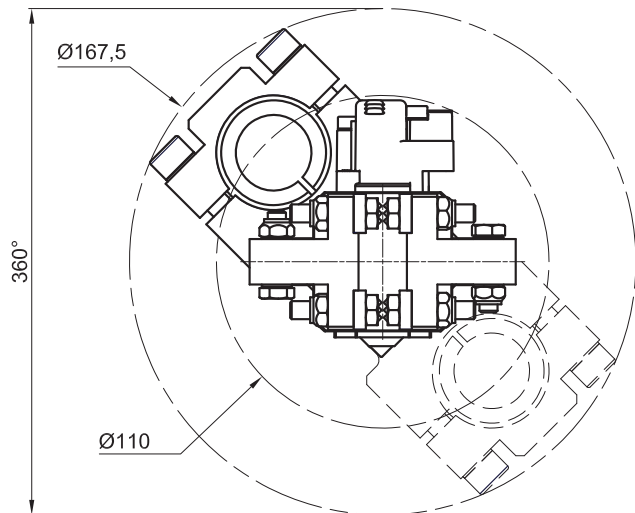
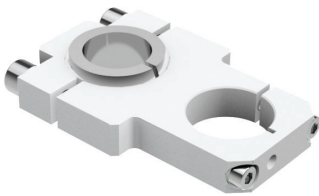
## GRIPPER ADAPTERS

	Orbital mounts	LGP32MO25	72
		LGP32MO30	73
		LGP32MP	74
		LGP40MP	75
		LGP40MO25	76
		LGP40MO30	77
		LGP40MO40	78
LGP40MO45	79		
	Rear flange mounts	LGP32PT070	80
		LGP40PT080	80
		LGP40PT110	81

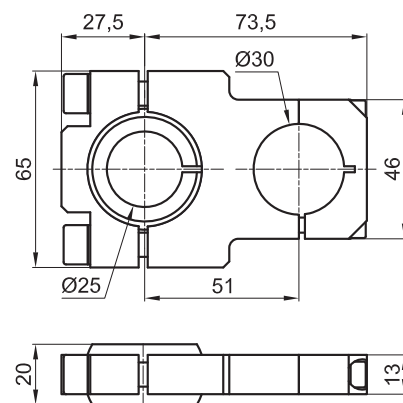
## Orbital mounts for grippers



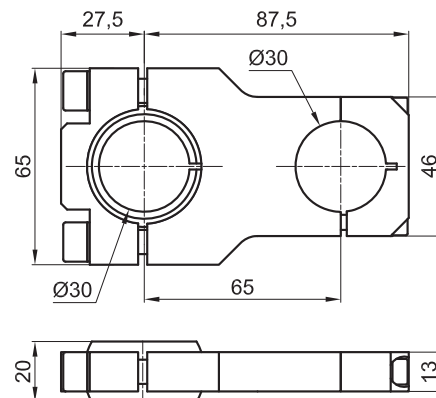
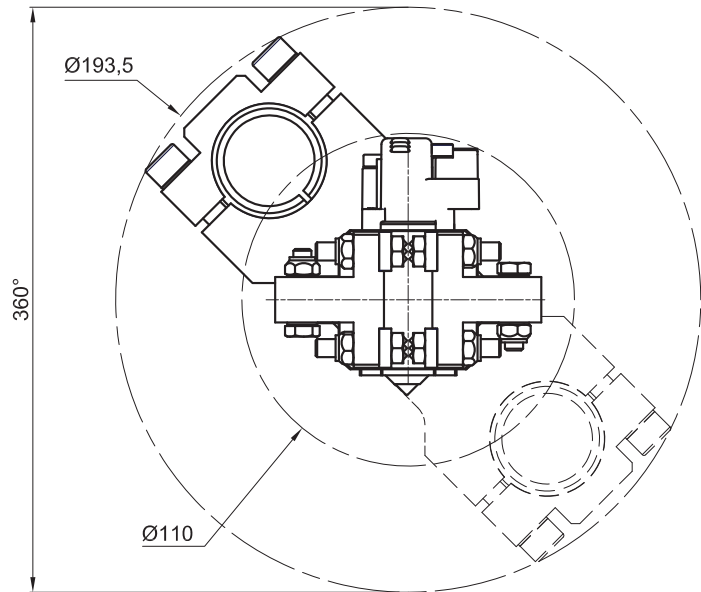
LGP32MO25 Orbital mount 360°, ball Ø25 mm for grippers Ø32



Material:	Aluminium
Weight:	0,172 kg (Bore Ø 32 mm)



**LGP32MO30** Orbital mount 360°, ball Ø30 mm for grippers Ø32

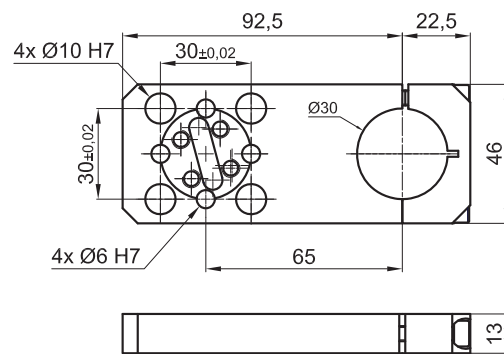
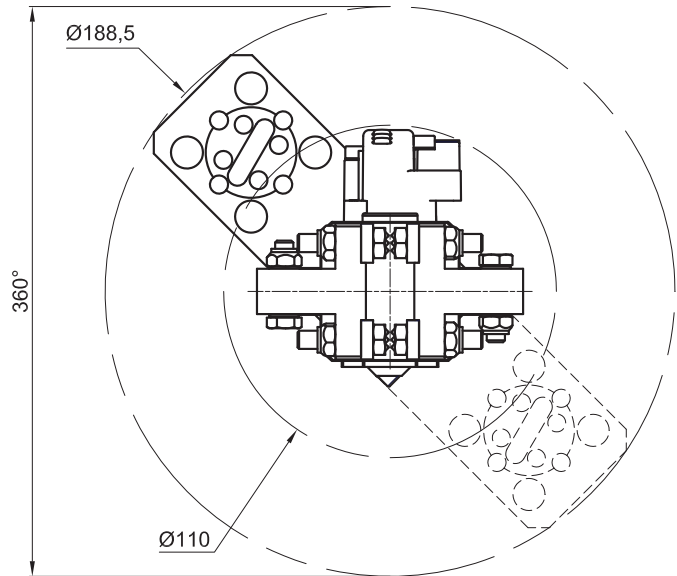


<b>Material:</b>	Aluminium
<b>Weight:</b>	0,2 kg (Bore Ø 32 mm)

**LGP32MP Middle flange mount for grippers Ø32**



<b>Material:</b>	Aluminium
<b>Weight:</b>	0,140 kg (Bore Ø 32 mm)

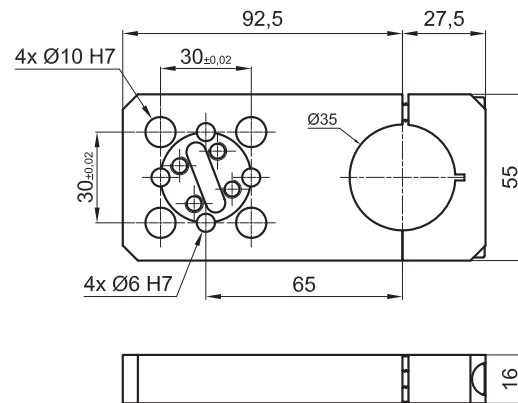
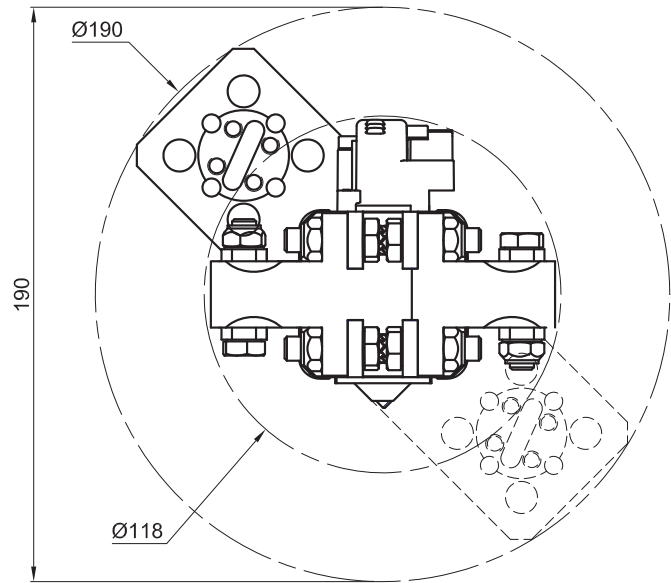




**LGP40MP Middle flange mount for grippers Ø40**



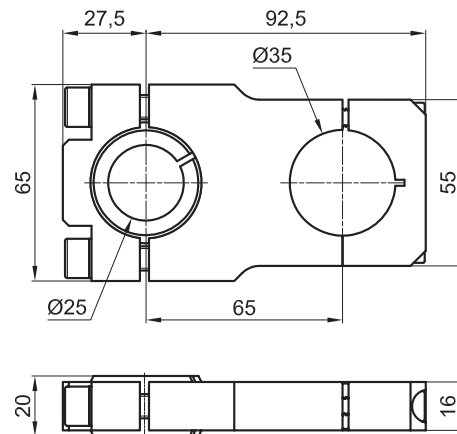
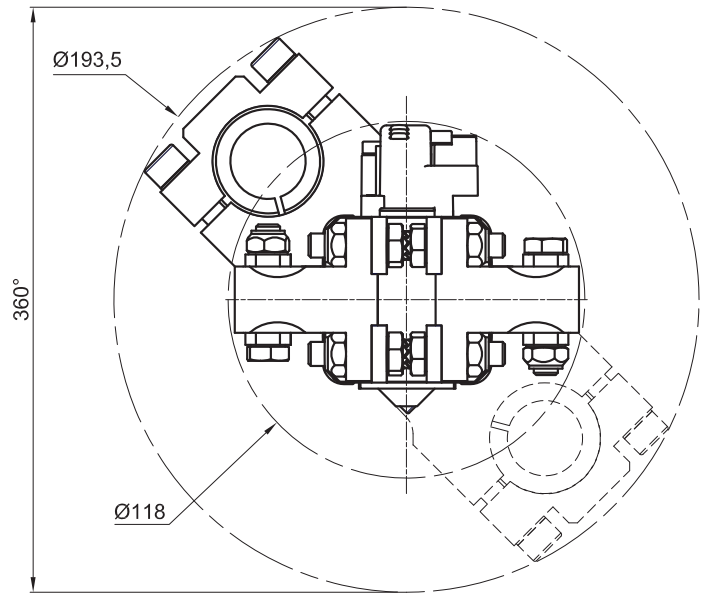
<b>Material:</b>	Aluminium
<b>Weight:</b>	0,2 kg (Bore Ø 40 mm)



**LGP40MO25** Orbital mount 360°, ball Ø25 mm for grippers Ø40



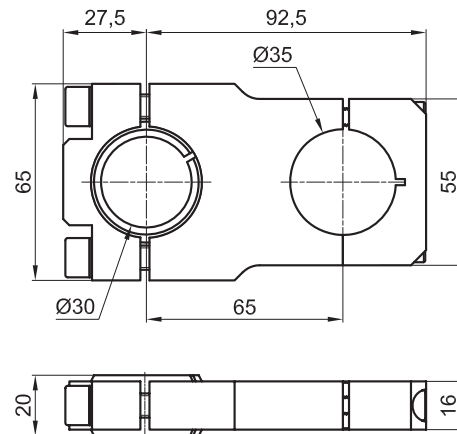
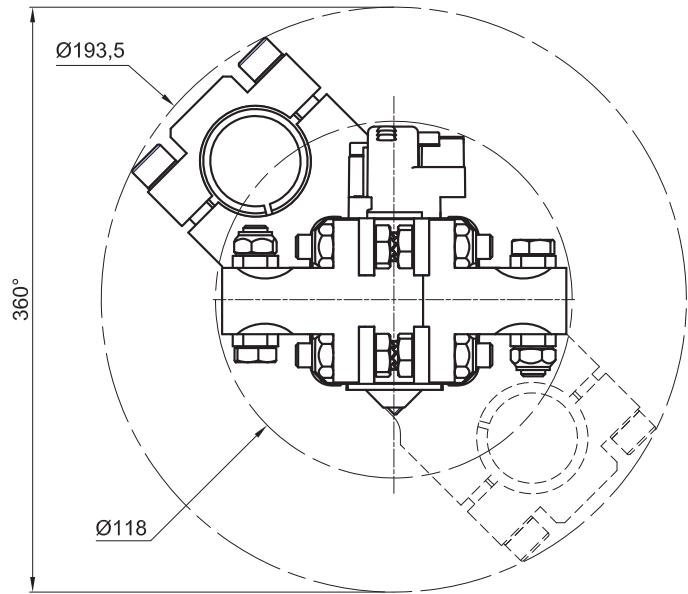
<b>Material:</b>	Aluminium
<b>Weight:</b>	0,3 kg (Bore Ø 40 mm)



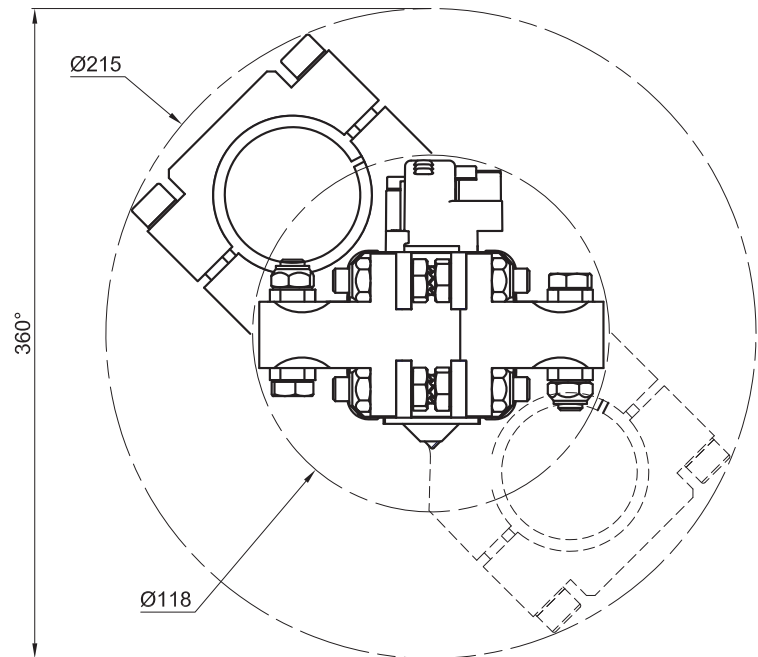
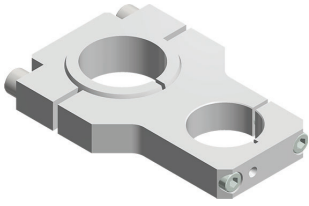
**LGP40MO30** Orbital mount 360°, ball Ø30 mm for UGPS40 for grippers Ø40



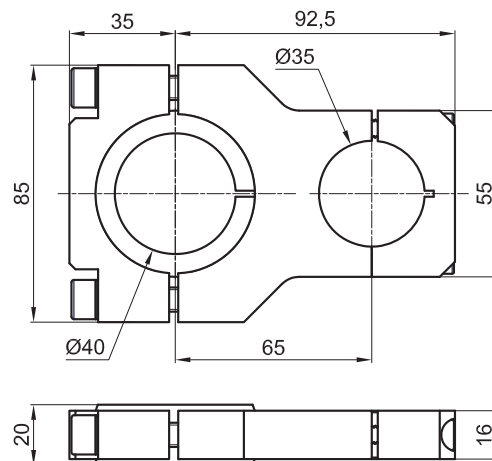
<b>Material:</b>	Aluminium
<b>Weight:</b>	0,3 kg (Bore Ø 40 mm)



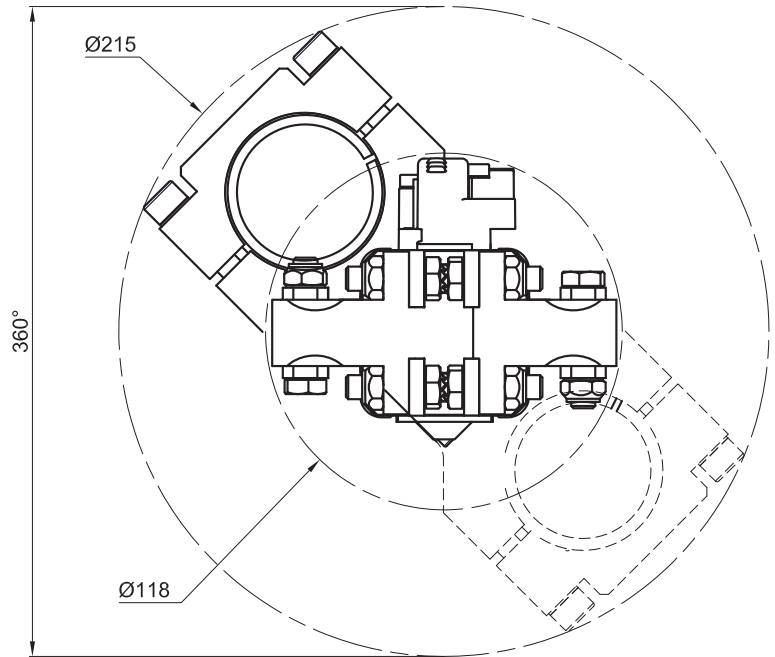
## LGP40MO40 Orbital mount 360°, ball Ø40 mm for grippers Ø40



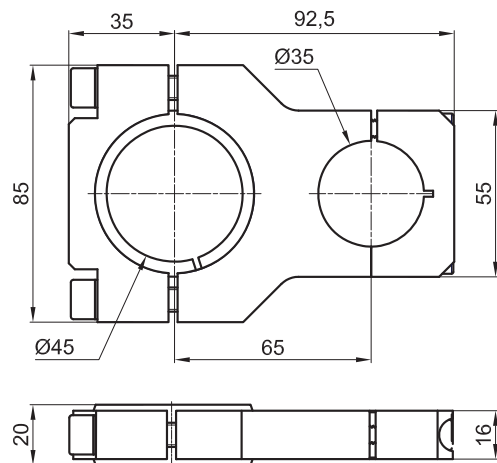
**Material:** Aluminium  
**Weight:** 0,30 kg (bore Ø 40 mm)



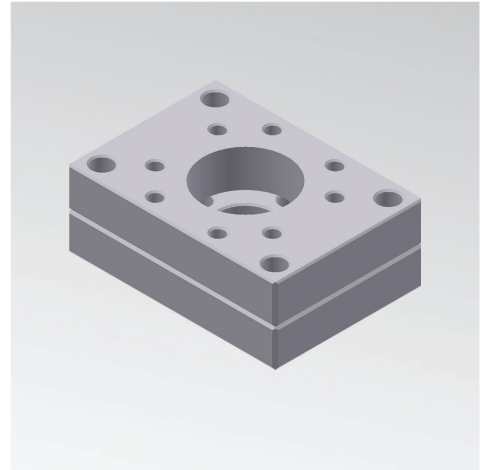
**LGP40MO45** Orbital mount 360°, ball Ø45 mm for grippers Ø40



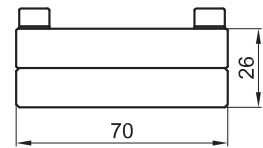
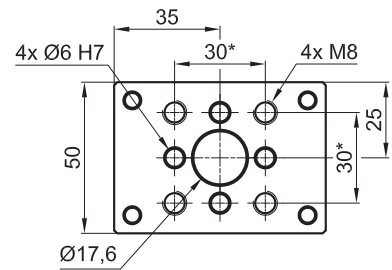
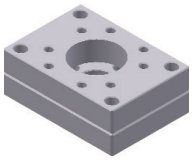
**Material:** Aluminium  
**Weight:** 0,3 kg (bore Ø 40 mm)



## Rear flange mounts

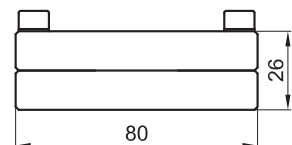
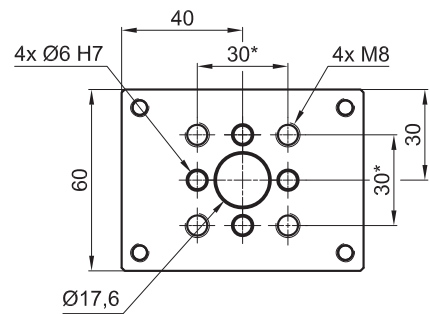
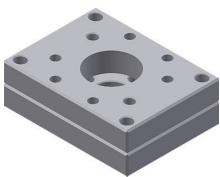


**LGP32PT070** Rear flange mount 70 mm for grippers Ø32



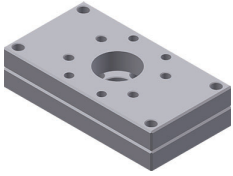
<b>Material:</b>	Aluminium
<b>Weight:</b>	0,24 kg

**LGP40PT080** Rear flange mount 80 mm for grippers Ø40

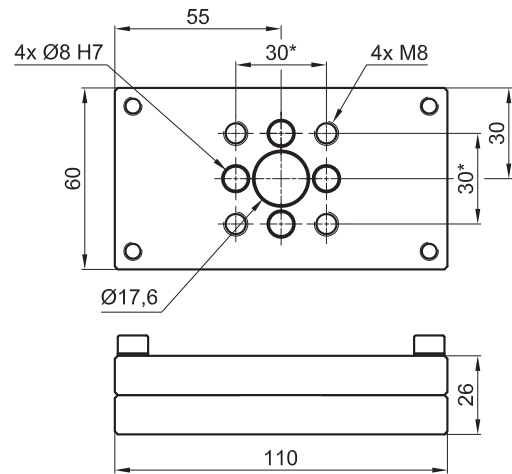


<b>Material:</b>	Aluminium
<b>Weight:</b>	0,335 kg

**LGP40PT110** Rear flange mount 110 mm for grippers Ø40



<b>Material:</b>	Aluminium
<b>Weight:</b>	0,459 kg







---

# 9

## RISERS

---



Risers

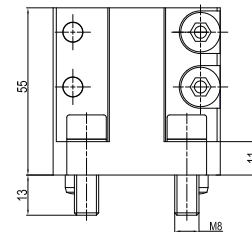
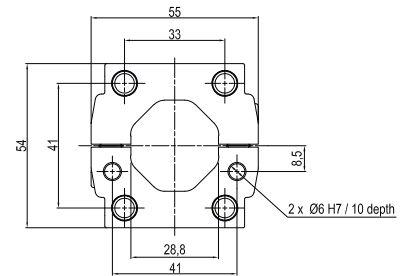
GR8SK30	84
GR8SK45	84
GR8SK70	85

---

# Risers

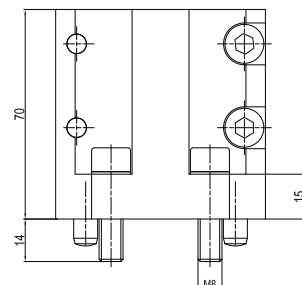
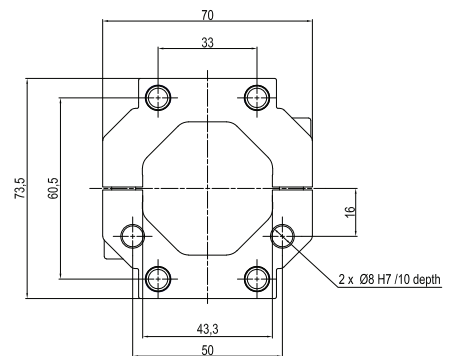


## GR8SK30 Riser size 30



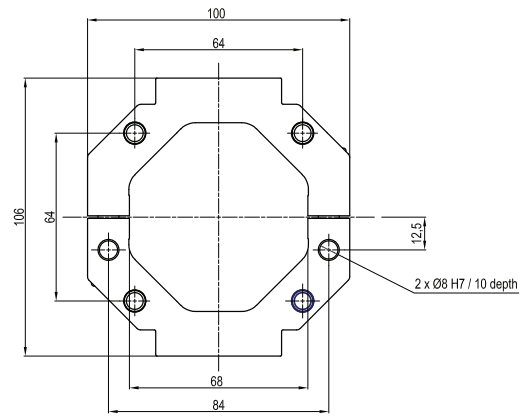
<b>Material:</b>	Aluminium
<b>Weight:</b>	0,3 kg
<b>Max static load:</b>	285 Nm

## GR8SK45 Riser size 45

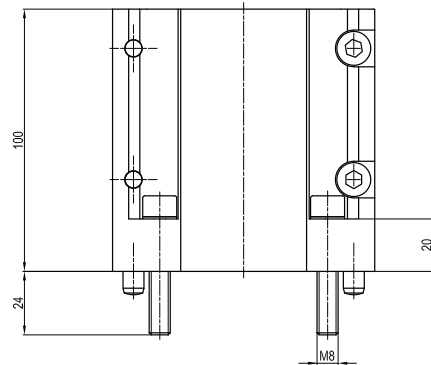


<b>Material:</b>	Aluminium
<b>Weight:</b>	0,5 kg
<b>Max static load:</b>	490 Nm

**GR8SK70 Riser size 70**



<b>Material:</b>	Aluminium
<b>Weight:</b>	1,3 kg
<b>Max static load:</b>	750 Nm



## UNIVER S.p.A.

### Headquarters

20128 **Milano**  
Via Eraclito, 31  
Tel. +39 02 25298.1  
Fax +39 02 2575254  
info@univer-group.com  
www.univer-group.com

## UNIVER SERVICE S.r.l.

### Headquarters

20128 **Milano**  
Via Empedocle, 20  
Tel. +39 02 25298.1  
Fax +39 02 25298370  
universervice@universervice.it  
www.universervice.it

### Branch Offices

#### LOMBARDIA

20099 - Sesto San Giovanni **Milano**  
Via G. di Vittorio, 307/20  
Tel. +39 02 26261304  
Fax +39 02 24300375  
universervice@universervice.it

#### PIEMONTE/LIGURIA/VALLE D'AOSTA

10071 Borgaro Torinese **Torino**  
Via Veneto, 18  
Tel. +39 011 4501871  
Fax +39 011 4502898  
torino@universervice.it

#### VENETO/FRIULI VENEZIA-GIULIA TRENTINO-ALTO ADIGE

30030 Vigonovo **Venezia**  
Via Prima strada 16/A - Loc. Galta  
Tel. +39 049 9834140  
Fax +39 049 9833972  
vigonovo@universervice.it

#### EMILIA ROMAGNA

40069 Zola Predosa **Bologna**  
Via Balzani, 5  
Tel. +39 051 753907  
Fax +39 051 6184751  
bologna@universervice.it

#### CENTRO/SUD

40069 Zola Predosa **Bologna**  
Via Balzani, 5  
Tel. +39 051 753907  
Fax +39 051 6184751  
bologna@universervice.it

#### UNIVER DO BRASIL Ltda

**BRAZIL** - 13474-764  
Americana **São Paulo**  
Rua do Polyester, 29  
Distrito Industrial Abdo Najjar  
Tel. +55 19 3113-9400  
Fax +55 19 3113-9405  
atendimento@univer.com.br

#### UNIVER CHINA

**CHINA** - Shanghai  
399 Fu Te North Road,  
Free Zone, Pudong  
info@univer-china.com

#### UNIVER FRANCE S.a.s.

**FRANCE** - 68000  
**Colmar**  
1, rue Denis Papin  
Tel. +33 3 89210900  
Fax +33 3 89216850  
info@univer-france.fr

#### UNIVER G.m.b.H.

**GERMANY** - D-65428  
**Rüsselsheim**  
Eisenstraße 51  
Tel. +49 6142 408320  
Fax +49 6142 4083290  
info@univer-gmbh.de

#### UNIVER NORTH AMERICA

**USA** - 48312  
Sterling Heights - **Michigan**  
6620 Cobb Drive  
Tel. +1 248 299 0525  
Fax +1 248 299 0528  
info@univer-group.us

#### UNIVER POLSKA Sp. z o.o.

**POLAND** - 25-663  
**Kielce**  
ul. K. Olszewskiego 21E  
Tel. +48 41 278 72 53  
Fax +48 41 278 72 54  
univer@univer-group.pl

#### UNIVER S.L.

**SPAIN** - 08210  
Barbera Del Valles **Barcelona**  
Ronda Industria, 26 - 28  
Tel. +34 93 7297360  
Fax +34 93 7297380  
univer@univerweb.com



www.univer-group.com

#### Distributors worldwide:

Get in touch with UNIVER Sales Department  
or visit our website [www.univer-group.com](http://www.univer-group.com)